



HOSHIZAKI

Parts List

Steelheart Series
Refrigerated Kitchen Equipment

Models

PR46B(-D2)

PR60B(-D2)(-D4)

PR67B(-D2)(-D4)

PR93B(-D2)(-D4)(-D6)



hoshizakiamerica.com

Number: 71441
Issued: 5-25-2022
Revised: 2-5-2024

CONTENTS

| | |
|---------------------------------|----|
| Auxiliary Codes..... | 3 |
| Note About Ordering Parts | 4 |
| A. Main Assembly | 5 |
| PR46B(-D2) | 5 |
| PR60B(-D2)(-D4) | 6 |
| PR67B(-D2)(-D4) | 7 |
| PR93B(-D2)(-D4)(-D6) | 8 |
| B. Refrigeration Circuit..... | 11 |
| C. Door-Right Hinged..... | 13 |
| D. Door-Left Hinged | 15 |
| E. Drawer Assembly | 16 |
| F. Accessories & Labels..... | 17 |

Auxiliary Codes

PR46B

L-5 July 2021
M-5 May 2022
N-6 April 2023
P-5 January 2024

PR46B-D2

M-5 May 2022
N-6 March 2023
P-5 January 2024

PR60B

L-5 July 2021
M-5 June 2022
N-5 February 2023
N-6 March 2023
P-5 January 2024

PR60B-D2

TBD

PR60B-D4

M-5 July 2022
N-6 March 2023

PR67B

L-5 July 2021

PR67B-D2

M-5 August 2022
N-5 March 2023

PR67B-D4

M-5 August 2022
N-5 March 2023

PR93B

L-5 December 2021
N-5 April 2023

PR93B-D2

TBD

PR93B-D4

TBD

PR93B-D6

TBD

***M-5 Auxiliary Code Change for PR46B and PR60B**

PR46B - M50053H to M50072H

PR60B - M50008H to M50019H

Cabinet Control Module - 4A7053G01

Cabinet Thermistor - 4A4864-02

Retainer Clips - 4A5502-01

Terminal Plug - 4A6229-01

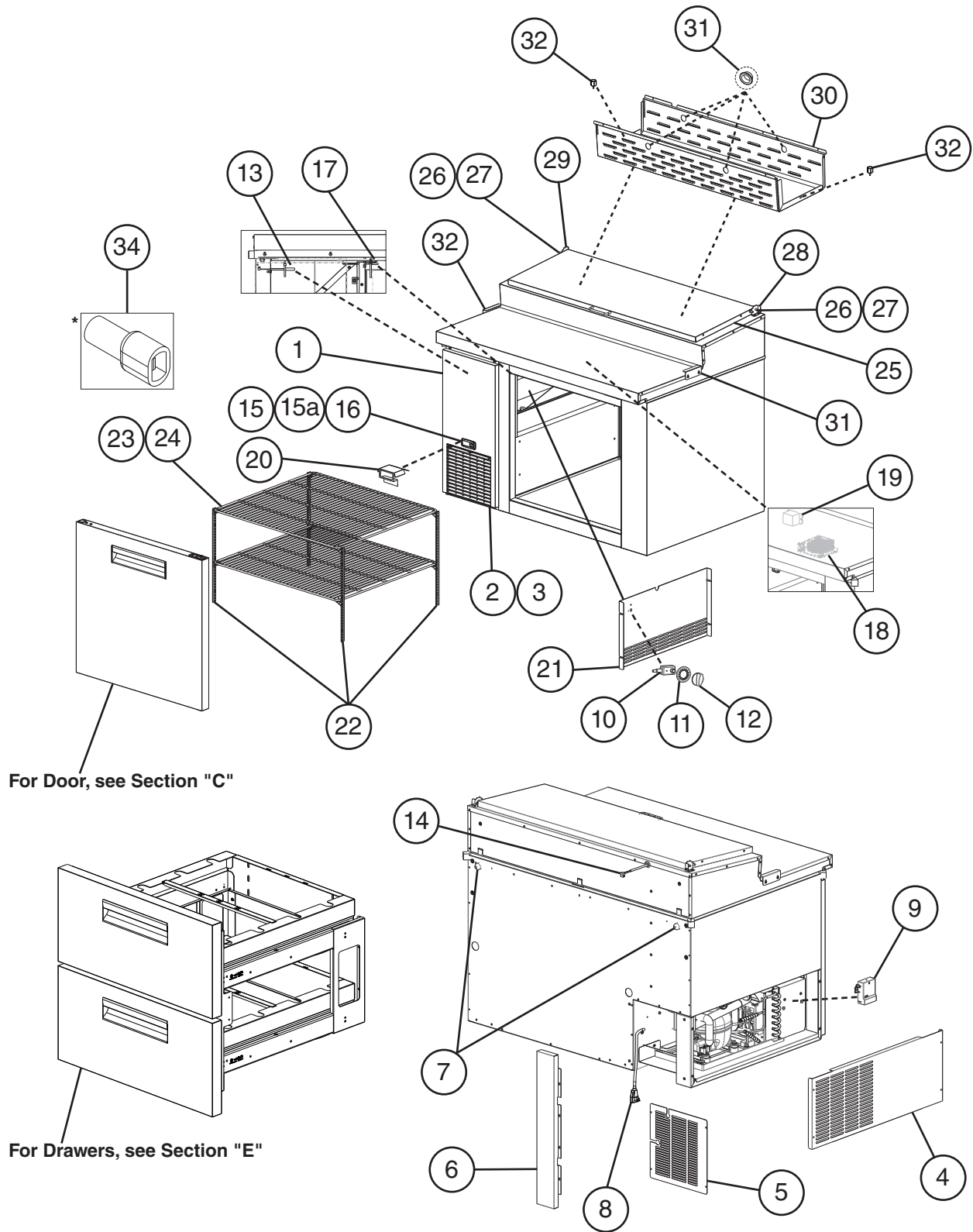
Auxiliary Code Breakdown

The auxiliary code is the first two characters in the serial number. The first character indicates the year. Years progress or regress in alphabetical order. The series runs from "A" through "V" and the letters "I" and "O" are skipped. The second character indicates significant part changes within a year. Base is "5" and this number advances for each change. In cases where there is a letter in parentheses, this designates the month. This is the last character in the serial number. The series runs from "(A)" through "(M)" and the letter "(I)" is skipped. This designation is only included when identifying a parts change within an auxiliary code.

Note About Ordering Parts

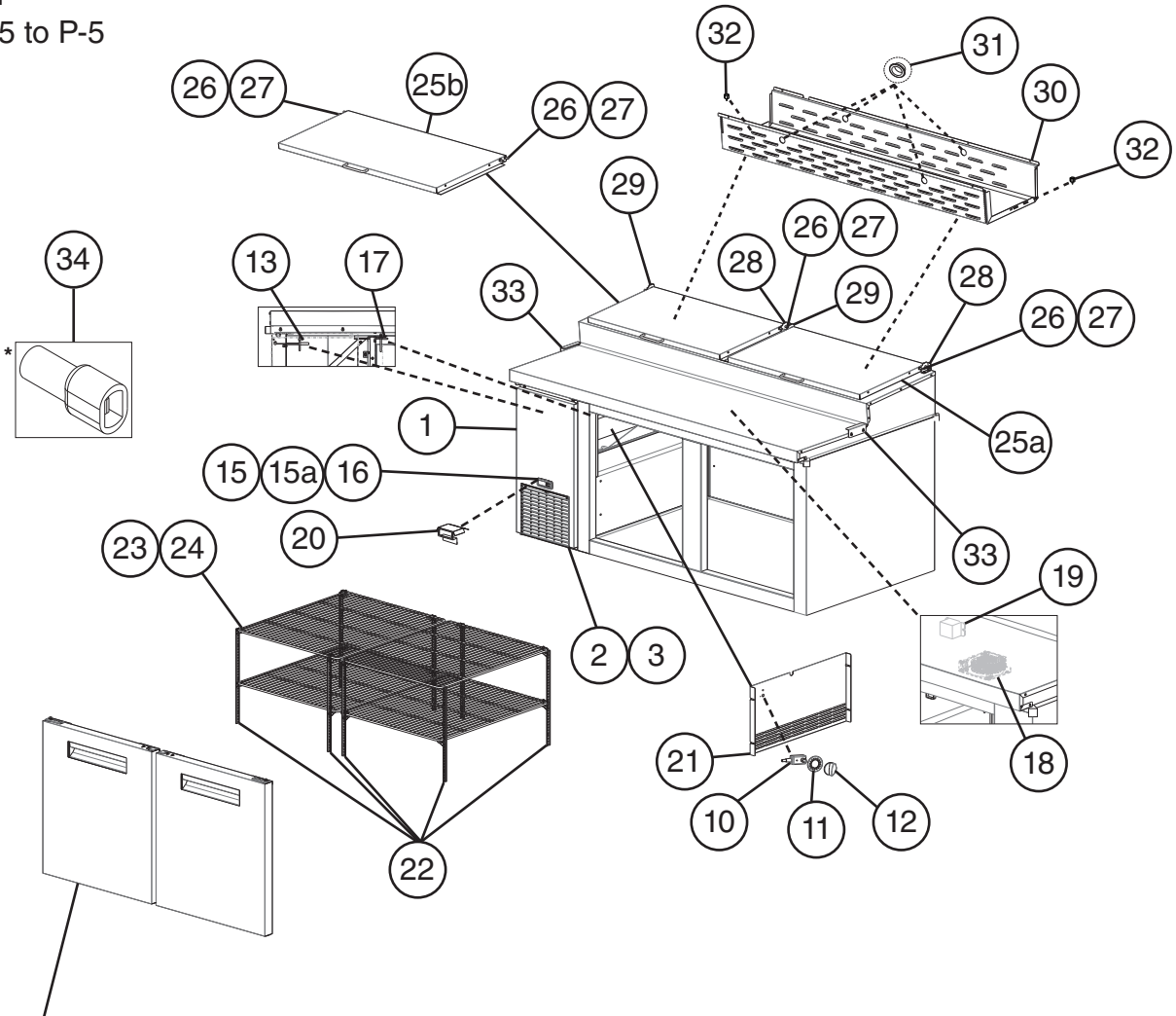
Most assemblies cannot be ordered as complete units; parts in the assemblies generally must be ordered separately.

A. Main Assembly
PR46B(-D2)
1/4
 L-5 to P-5

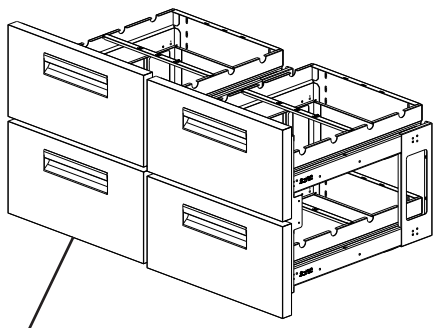


A. Main Assembly
PR60B(-D2)(-D4)
2/4

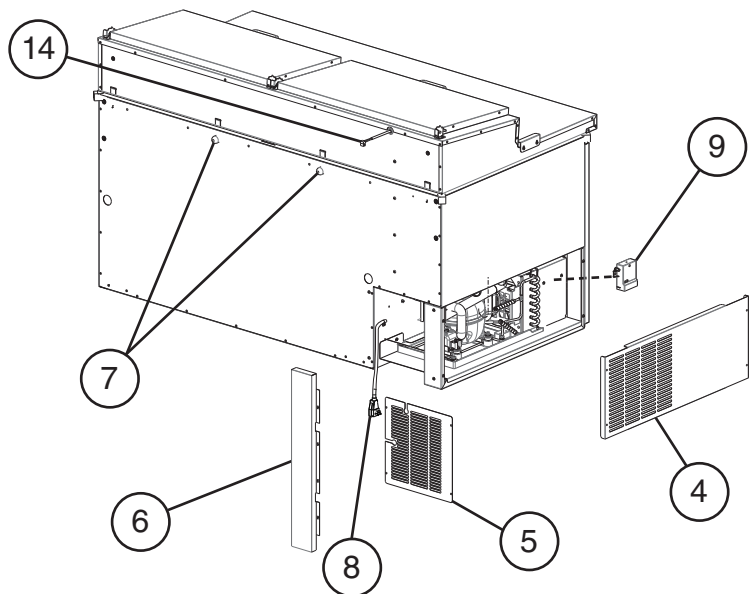
L-5 to P-5



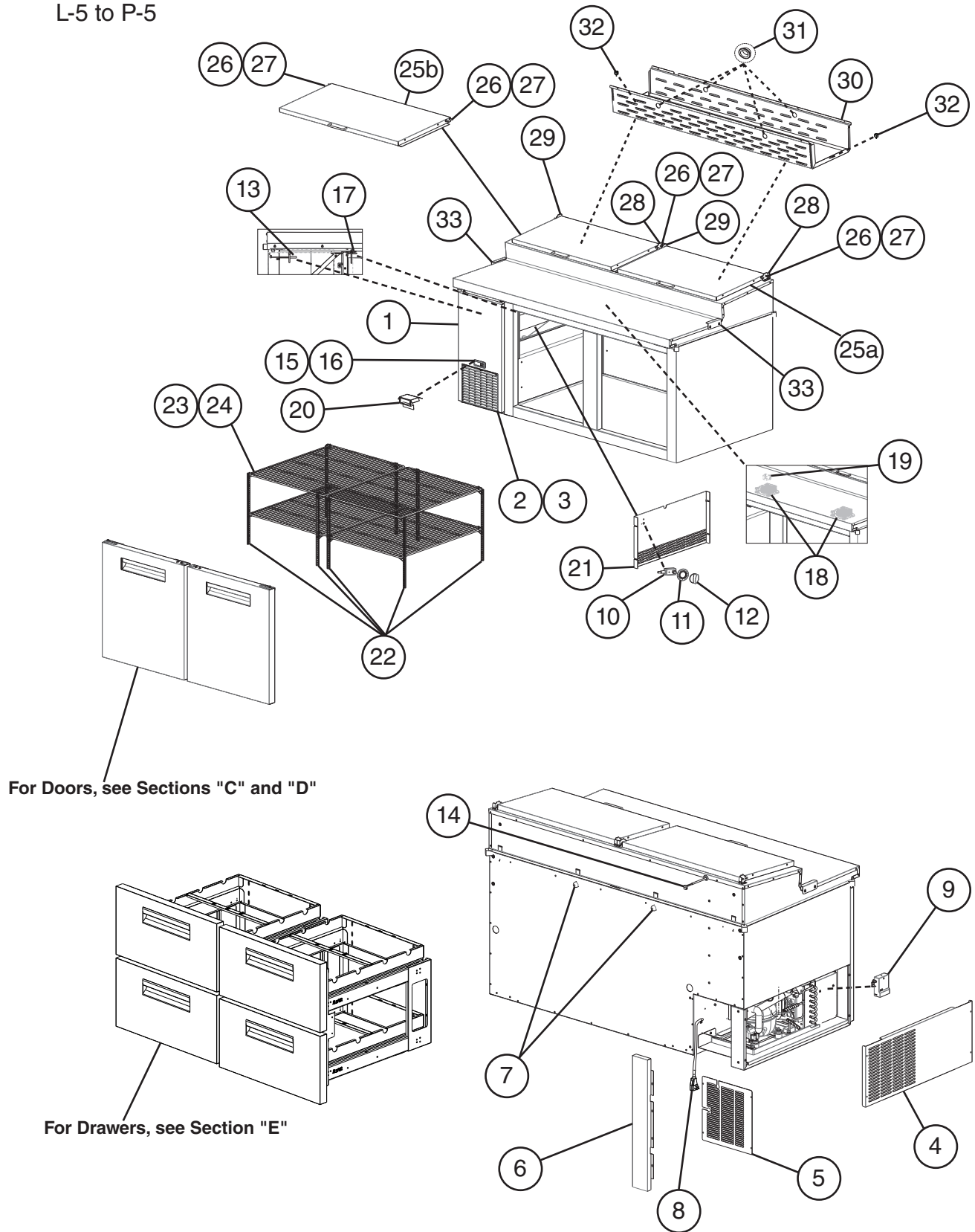
For Doors, see Sections "C" and "D"



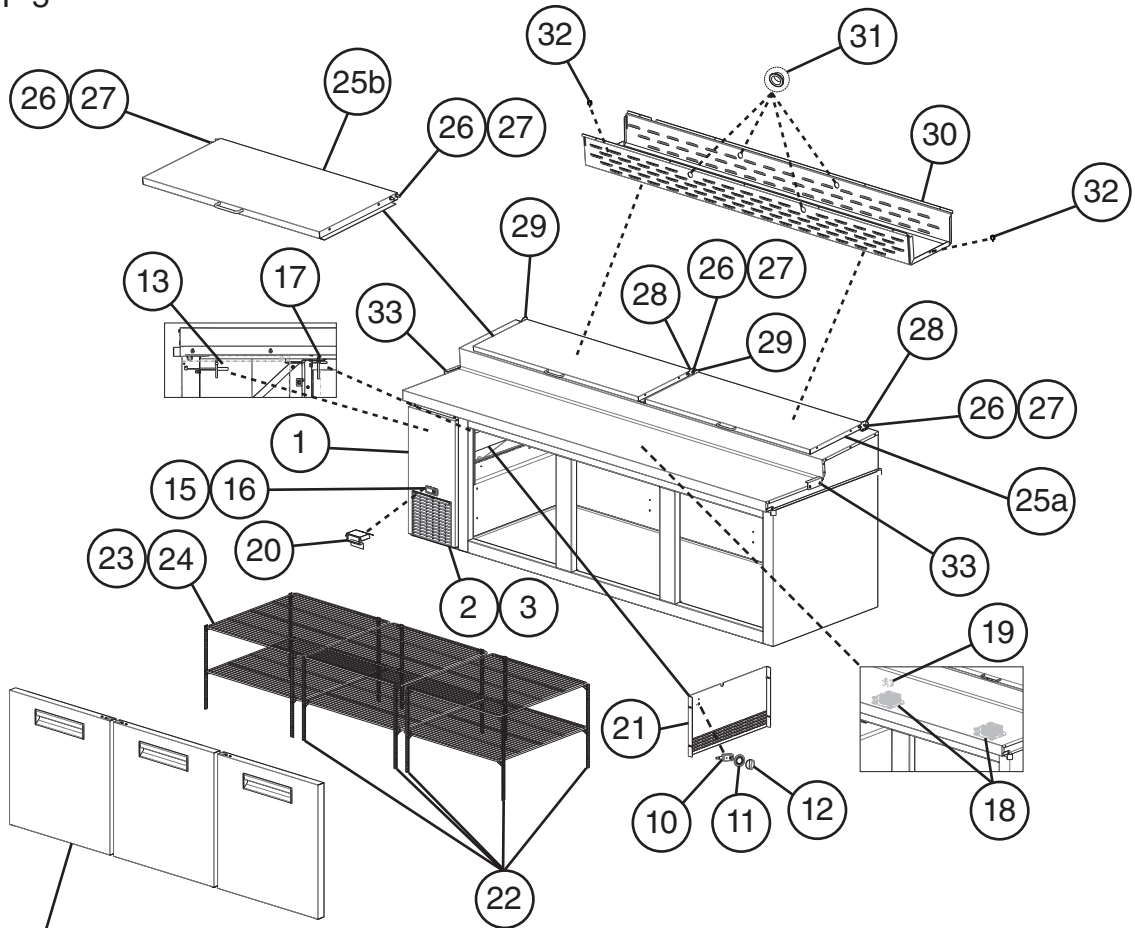
For Drawers, see Section "E"



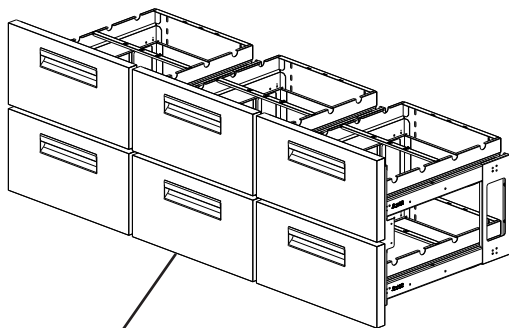
A. Main Assembly
PR67B(-D2)(-D4)
3/4
 L-5 to P-5



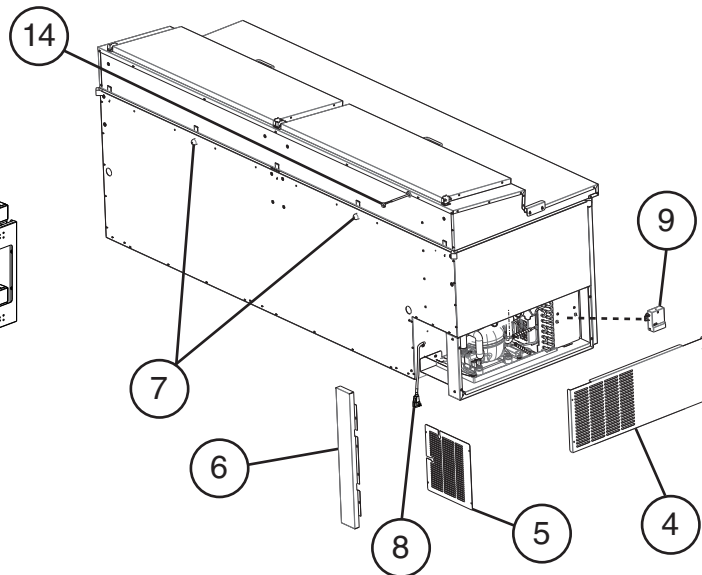
A. Main Assembly
PR93B(-D2)(-D4)(-D6)
4/4
 L-5, P-5



For Doors, see Sections "C" and "D"



For Drawers, see Section "E"

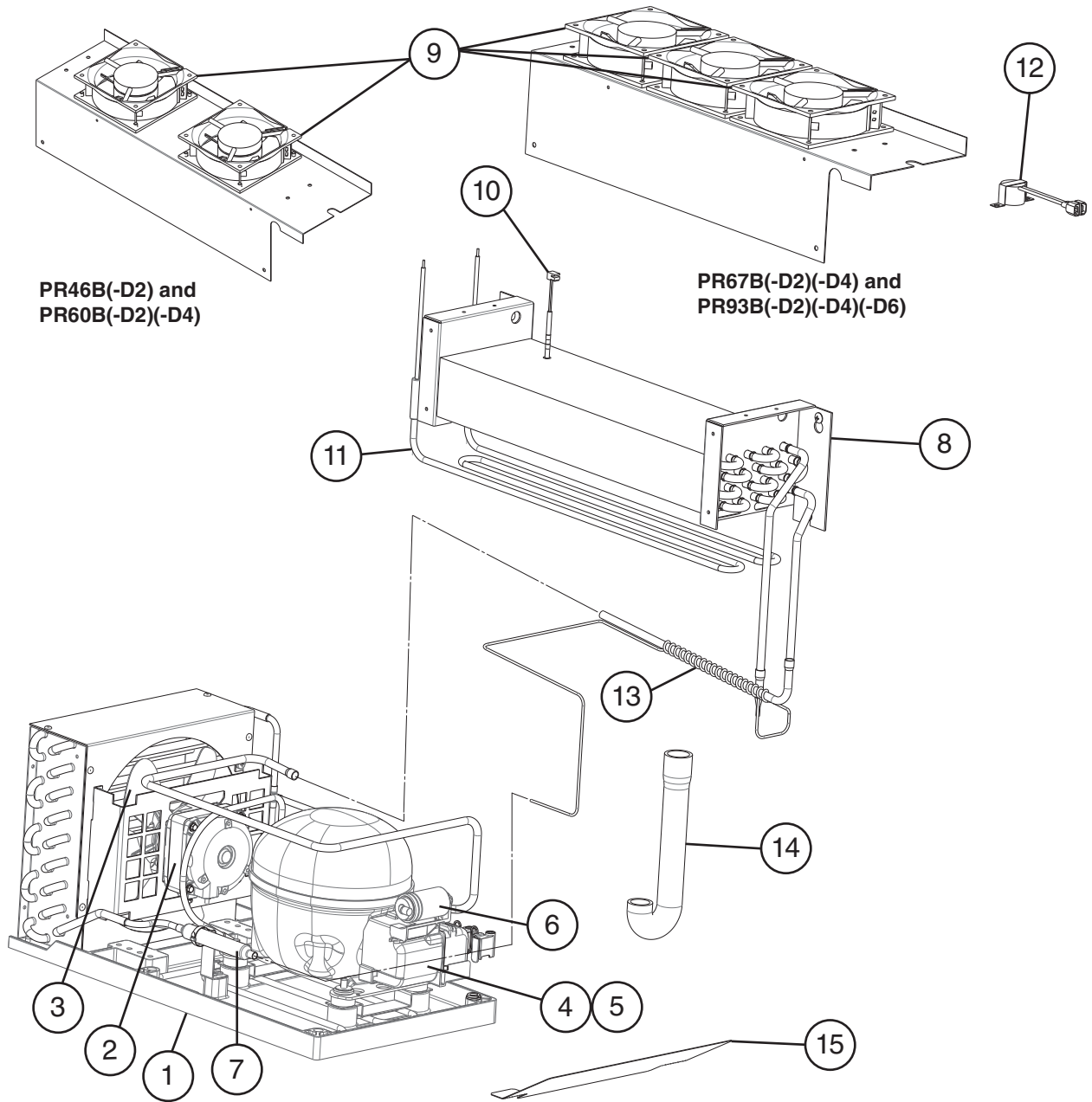


| Title: A. Main Assembly Models: PR46B(-D2), PR60B(-D2)(-D4), PR67B(-D2)(-D4), PR93B(-D2)(-D4)(-D6) | | | | | | | | | | | | |
|--|--|---|-------------|------------|---|--|--|--|--|--|--|--|
| Index No. | Description | Material or Model Number | Part Number | L-5 to P-5 | Required Number | | | | | | | |
| | | | | | | | | | | | | |
| 1 | Front Panel | | 2A9304-01 | 1 | | | | | | | | |
| 2 | Louver | | 103344-07 | 1 | | | | | | | | |
| 3 | Air Filter | | 208840G03 | 1 | | | | | | | | |
| 4 | Left Side Panel | | 2A9985-01 | 1 | | | | | | | | |
| 5 | Rear Louver Panel | | 3B0980-01 | 1 | | | | | | | | |
| 6 | Rear Cover | | 3B0983-01 | 1 | | | | | | | | |
| 7 | Bumper | | 3A6696-01 | 2 | | | | | | | | |
| 8 | Wire Harness (includes power supply cord) | | 3B0725-01 | 1 | | | | | | | | |
| 9 | Rail Control Module | | 4A7063G01 | 1 | | | | | | | | |
| 10 | Rail Temperature Control | | 4A5952-01 | 1 | | | | | | | | |
| 11 | Rail Temperature Control Dial Plate | | 4A7064-01 | 1 | | | | | | | | |
| 12 | Rail Temperature Control Knob | | 4A5950-01 | 1 | | | | | | | | |
| 13 | Rail Thermistor | | 4A4864-02 | 1 | | | | | | | | |
| 14 | Rail Light Sensor | | 4A7044-01 | 1 | | | | | | | | |
| 15 | Cabinet Control Module (includes items 15a and 16) | All | 4A7178-01 | 1 | | | | | | | | |
| | Cabinet Control Module | *PR46B and PR60B | *4A7053G01 | 1 | *For PRB46B and PR60B Aux. Code M-5 see page 4: Cabinet Control Module, Cabinet Thermistor, Retainer Clips, and Terminal Plug Change" | | | | | | | |
| 15a | Retainer Clip | All | 4A7085-01 | 2 | | | | | | | | |
| | | *PR46B and PR60B | *4A5502-01 | 2 | *For PRB46B and PR60B Aux. Code M-5 see page 4: Cabinet Control Module, Cabinet Thermistor, Retainer Clips, and Terminal Plug Change" | | | | | | | |
| 16 | Control Module Gasket | All | 4A7127-01 | 1 | | | | | | | | |
| 17 | Cabinet Thermistor | All | 4A7084-01 | 1 | | | | | | | | |
| | | *PR46B and PR60B | *4A4864-02 | 1 | *For PRB46B and PR60B Aux. Code M-5 see page 4: Cabinet Control Module, Cabinet Thermistor, Retainer Clips, and Terminal Plug Change" | | | | | | | |
| 18 | Cabinet Fan | PR46B(-D2) | 4A7041-01 | 1 | | | | | | | | |
| | | PR60B(-D2)(-D4) PR67B(-D2)(-D4) | 4A6192-01 | 1 | | | | | | | | |
| | | PR93B(-D2)(-D4)(-D6) | | 2 | | | | | | | | |
| | | | | | | | | | | | | |
| 19 | Cabinet Fan Relay | | 4A7047-01 | 1 | | | | | | | | |
| 20 | Deflector | | 3B1541-01 | 1 | | | | | | | | |
| 21 | Evaporator Shroud | | 3B1382G01 | 1 | | | | | | | | |
| 22 | Pilaster | PR46B PR60B-D2 PR67B-D2 PR93B-D4 | 4A5583-01 | 4 | | | | | | | | |
| | | PR60B PR67B PR93B-D2 | | 8 | | | | | | | | |
| | | PR93B | | 12 | | | | | | | | |
| | | | | | | | | | | | | |

| Title: A. Main Assembly Models: PR46B(-D2), PR60B(-D2)(-D4), PR67B(-D2)(-D4), PR93B(-D2)(-D4)(-D6) | | | | | | | | | | |
|--|---|--------------------------|-------------|-----------------|---|--|--|--|--|--|
| Index No. | Description | Material or Model Number | Part Number | Required Number | | | | | | |
| | | | | L-5 to P-5 | | | | | | |
| 23 | Shelf | PR46B | 3A2830-13 | 2 | | | | | | |
| | | PR60B | 3A2830-21 | 4 | | | | | | |
| | | PR60B-D2 | | 2 | | | | | | |
| | | PR67B-D2 | 3A2830-12 | 2 | | | | | | |
| | | PR93B-D4 | | 4 | | | | | | |
| PR67B | 6 | | | | | | | | | |
| 24 | Shelf Clip | PR46B | 4A5418-01 | 8 | | | | | | |
| | | PR60B-D2 | | 16 | | | | | | |
| | | PR67B-D2 | | 24 | | | | | | |
| | PR93B-D4 | | | | | | | | | |
| | PR60B | | | | | | | | | |
| | PR67B | | | | | | | | | |
| | PR93B-D2 | | | | | | | | | |
| | PR93B | | | | | | | | | |
| 25 | Rail Cover (includes items 25 and 26) | PR46B(-D2) | 2A8332A01 | 1 | | | | | | |
| 25a | Right Rail Cover (includes half of items 25 and 26) | PR60B(-D2)(-D4) | 2B0027A01 | 1 | | | | | | |
| | | PR67B(-D2)(-D4) | 2A9578A01 | 1 | | | | | | |
| | | PR93B(-D2)(-D4)(-D6) | 2A9575A01 | 1 | | | | | | |
| 25b | Left Rail Cover (includes half of items 25 and 26) | PR60B(-D2)(-D4) | 2B0028A01 | 1 | | | | | | |
| | | PR67B(-D2)(-D4) | 2A9579A01 | 1 | | | | | | |
| | | PR93B(-D2)(-D4)(-D6) | 2A9576A01 | 1 | | | | | | |
| 26 | Pivot Pin | PR46B(-D2) | 4A4768-01 | 4 | | | | | | |
| | | PR60B(-D2)(-D4) | | 8 | | | | | | |
| | | PR67B(-D2)(-D4) | | | | | | | | |
| | | PR93B(-D2)(-D4)(-D6) | | | | | | | | |
| 27 | Pivot Bolt | PR46B(-D2) | 4A4769-01 | 4 | | | | | | |
| | | PR60B(-D2)(-D4) | | 8 | | | | | | |
| | | PR67B(-D2)(-D4) | | | | | | | | |
| | | PR93B(-D2)(-D4)(-D6) | | | | | | | | |
| 28 | Right Rail Cover Bracket | PR46B(-D2) | 3B1432-02 | 1 | | | | | | |
| | | PR60B(-D2)(-D4) | | 2 | | | | | | |
| | | PR67B(-D2)(-D4) | | | | | | | | |
| | | PR93B(-D2)(-D4)(-D6) | | | | | | | | |
| 29 | Left Rail Cover Bracket | PR46B(-D2) | 3B1432-01 | 1 | | | | | | |
| | | PR60B(-D2)(-D4) | | 2 | | | | | | |
| | | PR67B(-D2)(-D4) | | | | | | | | |
| | | PR93B(-D2)(-D4)(-D6) | | | | | | | | |
| 30 | Rail Duct | PR46B(-D2) | 1A6515-01 | 1 | | | | | | |
| | | PR60B(-D2)(-D4) | 1A6516-01 | 1 | | | | | | |
| | | PR67B(-D2)(-D4) | 1A6517-01 | 1 | | | | | | |
| | | PR93B(-D2)(-D4)(-D6) | 1A6518-01 | 1 | | | | | | |
| 31 | Rail Duct Bushing | | 420470-12 | 4 | | | | | | |
| 32 | Thumbscrew | | 415949G08 | 2 | | | | | | |
| 33 | Cutting Board Bracket | PR60B(-D2)(-D4) | 3A4890-01 | 2 | | | | | | |
| | | PR46B(-D2) | 3B1875-01 | 2 | | | | | | |
| | | PR67B(-D2)(-D4) | | | | | | | | |
| | PR93B(-D2)(-D4)(-D6) | | | | | | | | | |
| 34 | Terminal Plug | *PR46B and PR60B | *4A6229-01 | 1 | *For PRB46B and PR60B Aux. Code M-5 see page 4: Cabinet Control Module, Cabinet Thermistor, Retainer Clips, and Terminal Plug Change" | | | | | |

B. Refrigeration Circuit

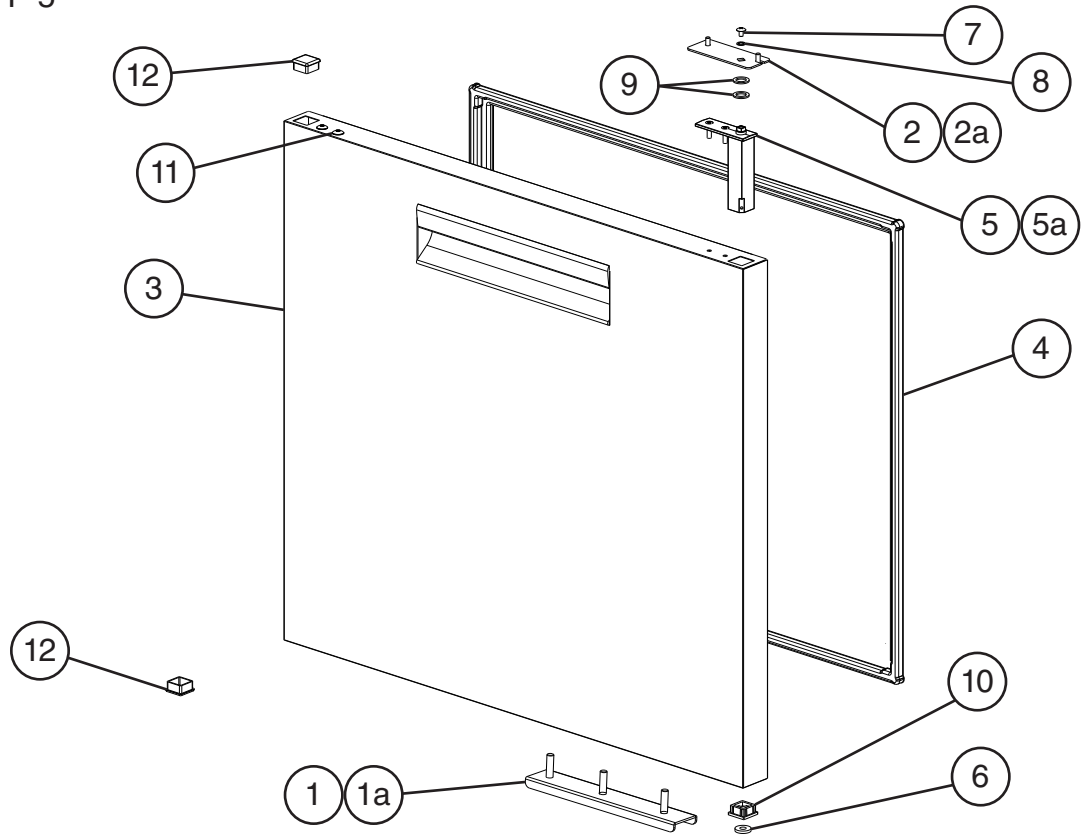
PR46B(-D2), PR60B(-D2)(-D4), PR67B(-D2)(-D4), PR93B(-D2)(-D4)(-D6)
L-5 to P-5



For compressor or condenser replacement, order item 1.

| Title: B. Refrigeration Circuit Models: PR46B(-D2), PR60B(-D2)(-D4), PR67B(-D2)(-D4), PR93B(-D2)(-D4)(-D6) | | | | | | | | | | |
|---|---|--|-------------|-----------------|--|--|--|--|--|--|
| Index No. | Description | Material or Model Number | Part Number | Required Number | | | | | | |
| | | | | L-5 to P-5 | | | | | | |
| 1 | Condensing Unit (includes compressor, condenser, and items 2 through 7; compressor and condenser are not sold individually) | PR46B(-D2), PR60B(-D2)(-D4) | 3B0964-01 | 1 | | | | | | |
| | | PR67B(-D2)(-D4), | 3B0992-01 | 1 | | | | | | |
| | | PR93B(-D2)(-D4)(-D6) | 3B1600-01 | 1 | | | | | | |
| 2 | Condenser Fan Motor | PR46B(-D2), PR60B(-D2)(-D4) | 3A6798-01 | 1 | | | | | | |
| | | PR67B(-D2)(-D4), | 4A7104-01 | 1 | | | | | | |
| | | PR93B(-D2)(-D4)(-D6) | 4A7413-01 | 1 | | | | | | |
| 3 | Condenser Fan Blade | PR46B(-D2) PR60B(-D2)(-D4) PR67B(-D2)(-D4) | 3A6799-01 | 1 | | | | | | |
| | | PR93B(-D2)(-D4)(-D6) | 3B1694-01 | 1 | | | | | | |
| 4 | Compressor External Protector | PR46B(-D2) PR60B(-D2)(-D4) PR67B(-D2)(-D4) | 3B0897-01 | 1 | | | | | | |
| | | PR93B(-D2)(-D4)(-D6) | 3B1695-01 | 1 | | | | | | |
| 5 | Start Relay | | 3A9476-01 | 1 | | | | | | |
| 6 | Run Capacitor | | 3B0898-01 | 1 | | | | | | |
| 7 | Drier | | 4A5576-01 | 1 | | | | | | |
| 8 | Evaporator | | 2B0101-01 | 1 | | | | | | |
| 9 | Evaporator Fan Motor | PR46B(-D2), PR60B(-D2)(-D4) | 4A6192-01 | 2 | | | | | | |
| | | PR67B(-D2)(-D4), PR93B(-D2)(-D4)(-D6) | | 3 | | | | | | |
| 10 | Defrost Thermistor | | 4A4865-02 | 1 | | | | | | |
| 11 | Defrost Heater | | 3B0457-01 | 1 | | | | | | |
| 12 | Defrost Safety Thermostat | | 4A6194-01 | 1 | | | | | | |
| 13 | Heat Exchanger | PR46B(-D2), PR60B(-D2)(-D4) | 3B1027G01 | 1 | | | | | | |
| | | PR67B(-D2)(-D4), PR93B(-D2)(-D4)(-D6) | 3B1039G01 | 1 | | | | | | |
| 14 | Drain Hose | | 3B0477-01 | 1 | | | | | | |
| 15 | Drip Ramp | | 3B0835-01 | 1 | | | | | | |

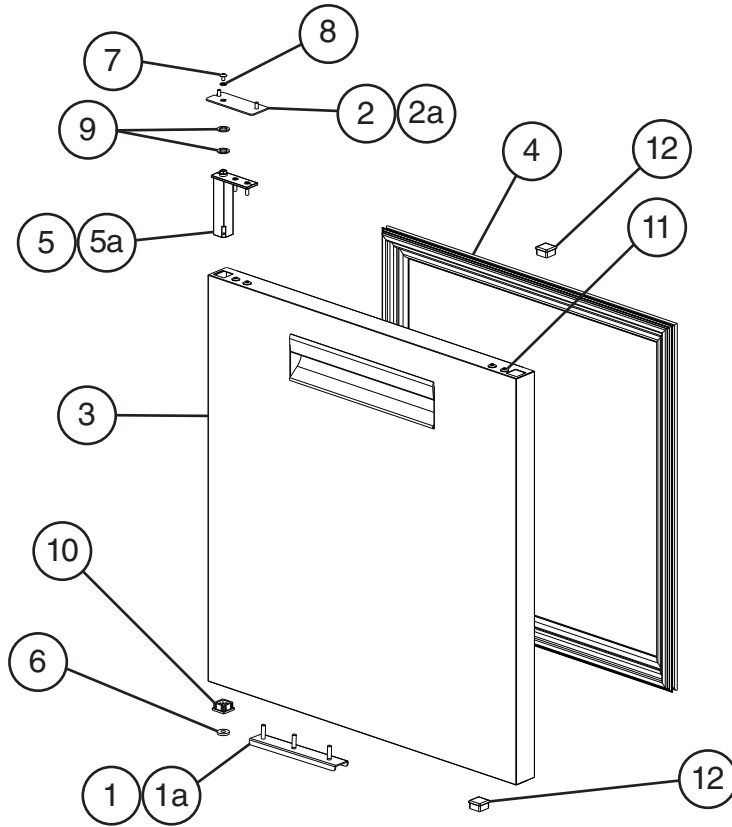
C. Door-Right Hinged
PR46B, PR60B(-D2), PR67B(-D2), PR93B(-D2)(-D4)
 L-5 to P-5



| Title: C. Door-Right Hinged Models: PR46B, PR60B(-D2), PR67B(-D2), PR93B(-D2)(-D4) | | | | | Required Number Per Section | | | | | | | |
|--|-----------------------|--|-------------|------------|-----------------------------|--|--|--|--|--|--|--|
| Index No. | Description | Material or Model Number | Part Number | L-5 to P-5 | | | | | | | | |
| 1 | Lower Hinge Bracket | PR46B PR60B(-D2) PR67B(-D2) PR93B(-D2)(-D4) | 3A6681G01 | 1 | | | | | | | | |
| 1a | Hex Head Tapping Bolt | PR46B PR60B(-D2) PR67B(-D2) PR93B(-D2)(-D4) | 4A5213-01 | 2 | | | | | | | | |
| 2 | Upper Hinge Bracket | PR46B PR60B(-D2) PR67B(-D2) PR93B(-D2)(-D4) | 3A6810-01 | 1 | | | | | | | | |
| 2a | Truss Head Screw | PR46B PR60B(-D2) PR67B(-D2) PR93B(-D2)(-D4) | 7C32-0512 | 2 | | | | | | | | |

| Title: C. Door-Right Hinged Models: PR46B, PR60B(-D2), PR67B(-D2), PR93B(-D2)(-D4) | | | | | | | | | | | | |
|---|--|--|-------------|------------|-----------------------------|--|--|--|--|--|--|--|
| Index No. | Description | Material or Model Number | Part Number | L-5 to P-5 | Required Number Per Section | | | | | | | |
| | | | | | | | | | | | | |
| 3 | Door Assembly (includes items 4 through 12) | PR46B | 2A9409G04 | 1 | | | | | | | | |
| | | PR60B(-D2) | 2A9409G06 | 1 | | | | | | | | |
| | | PR67B(-D2) | 2A9409G01 | 1 | | | | | | | | |
| | | PR93B(-D2)(-D4) | | | | | | | | | | |
| 4 | Gasket | PR46B | 2A6996-12 | 1 | | | | | | | | |
| | | PR60B(-D2) | 2A6996-11 | 1 | | | | | | | | |
| | | PR67B(-D2) | 2A6996-10 | 1 | | | | | | | | |
| | | PR93B(-D2)(-D4) | | | | | | | | | | |
| 5 | Hinge Spring Cartridge (includes items 6 through 10) | PR46B PR60B(-D2) PR67B(-D2) PR93B(-D2)(-D4) | 3A9206-01 | 1 | | | | | | | | |
| 5a | Countersunk Screw | PR46B PR60B(-D2) PR67B(-D2) PR93B(-D2)(-D4) | 7C42-0520 | 2 | | | | | | | | |
| 6 | Thrust Washer | PR46B PR60B(-D2) PR67B(-D2) PR93B(-D2)(-D4) | 4A5234-01 | 1 | | | | | | | | |
| 7 | Screw | PR46B PR60B(-D2) PR67B(-D2) PR93B(-D2)(-D4) | 4A5230-01 | 1 | | | | | | | | |
| 8 | Lock Washer | PR46B PR60B(-D2) PR67B(-D2) PR93B(-D2)(-D4) | 4A5231-01 | 1 | | | | | | | | |
| 9 | Thrust Washer | PR46B PR60B(-D2) PR67B(-D2) PR93B(-D2)(-D4) | 4A5233-01 | 2 | | | | | | | | |
| 10 | Bearing | PR46B PR60B(-D2) PR67B(-D2) PR93B(-D2)(-D4) | 4A5232-01 | 1 | | | | | | | | |
| 11 | Truss Head Screw (filler screws) | PR46B PR60B(-D2) PR67B(-D2) PR93B(-D2)(-D4) | 7C32-0510 | 2 | | | | | | | | |
| 12 | End Cap | PR46B PR60B(-D2) PR67B(-D2) PR93B(-D2)(-D4) | 4A5432-01 | 2 | | | | | | | | |

D. Door-Left Hinged
PR60B, PR67B, PR93B
 L-5 to P-5

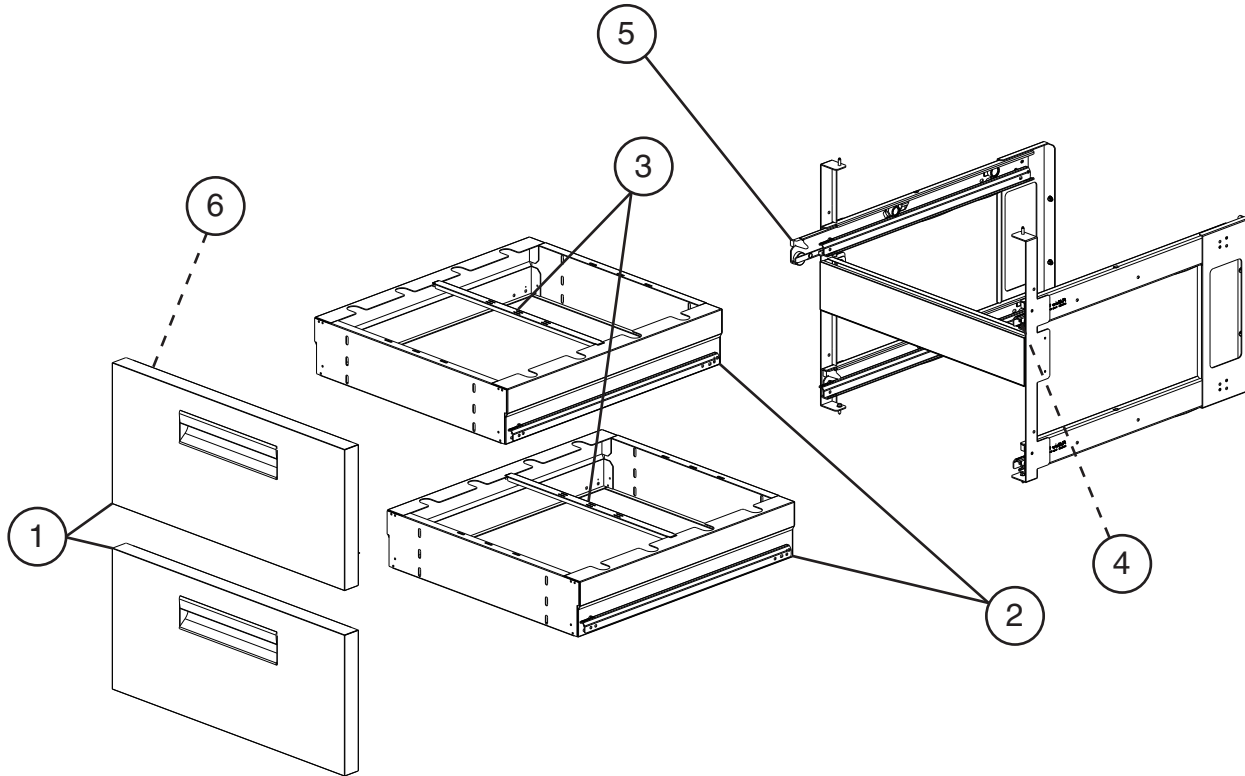


| Title: D. Door-Left Hinged Models: PR60B, PR67B, PR93B | | | | | Required Number Per Section | | | | | | | | | | | |
|---|---|--------------------------|-------------|------------|-----------------------------|--|--|--|--|--|--|--|--|--|--|--|
| Index No. | Description | Material or Model Number | Part Number | L-5 to P-5 | | | | | | | | | | | | |
| 1 | Lower Hinge Bracket | | 3A6681G01 | 1 | | | | | | | | | | | | |
| 1a | Hex Head Tapping Bolt | | 4A5213-01 | 2 | | | | | | | | | | | | |
| 2 | Upper Hinge Bracket | | 3A6810-01 | 1 | | | | | | | | | | | | |
| 2a | Truss Head Screw | | 7C32-0512 | 2 | | | | | | | | | | | | |
| 3 | Door Assembly (includes items 4 through 12) | PR60B | 2A9411G01 | 1 | | | | | | | | | | | | |
| | | PR67B | 2A9411G05 | 1 | | | | | | | | | | | | |
| | | PR93B | | | | | | | | | | | | | | |
| 4 | Gasket | PR60B | 2A6996-11 | 1 | | | | | | | | | | | | |
| | | PR67B | 2A6996-10 | 1 | | | | | | | | | | | | |
| | | PR93B | | | | | | | | | | | | | | |
| 5 | Hinge Spring Cartridge (includes items 6 through 10) | | 3A9206-01 | 1 | | | | | | | | | | | | |
| 5a | Countersunk Screw | | 7C42-0520 | 2 | | | | | | | | | | | | |
| 6 | Thrust Washer | | 4A5234-01 | 1 | | | | | | | | | | | | |
| 7 | Screw | | 4A5230-01 | 1 | | | | | | | | | | | | |
| 8 | Lock Washer | | 4A5231-01 | 1 | | | | | | | | | | | | |
| 9 | Thrust Washer | | 4A5233-01 | 2 | | | | | | | | | | | | |
| 10 | Bearing | | 4A5232-01 | 1 | | | | | | | | | | | | |
| 11 | Truss Head Screw (filler screws) | | 7C32-0510 | 2 | | | | | | | | | | | | |
| 12 | End Cap | | 4A5432-01 | 2 | | | | | | | | | | | | |

E. Drawer Assembly

PR46B-D2, PR60B(-D2)(-D4), PR67B-D2(-D4), PR93B-D2(-D4)(-D6)

L-5 to P-5

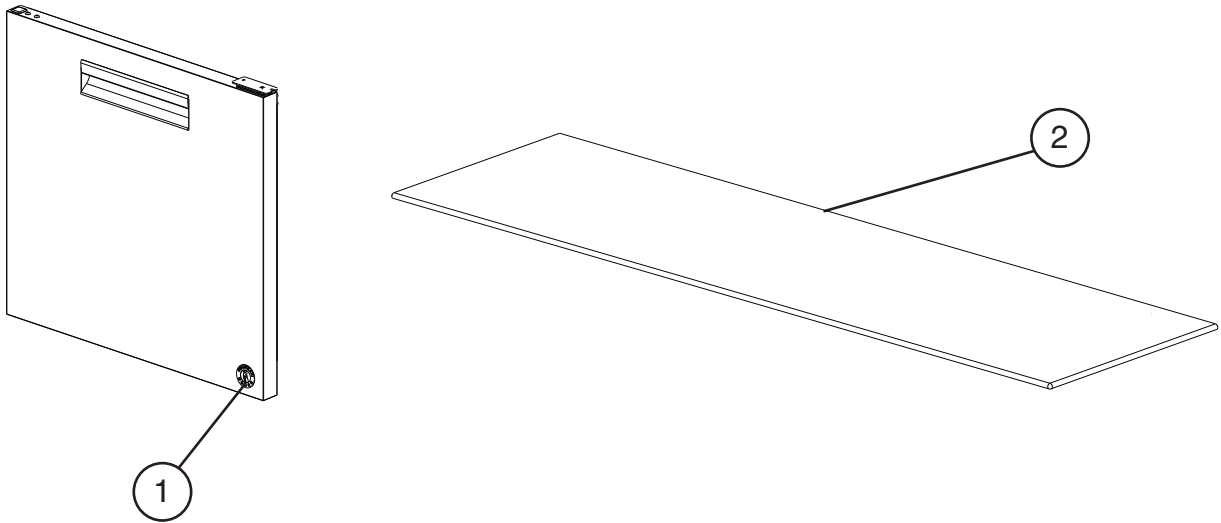


| Title: E. Drawer Assembly Models: PR46B-D2, PR60B(-D2)(-D4), PR67B-D2(-D4), PR93B-D2(-D4)(-D6) | | | | | | | | | | | | | | |
|---|----------------------------------|--------------------------|-------------|-----------------------------|--|--|--|--|--|--|--|--|--|--|
| Index No. | Description | Material or Model Number | Part Number | Required Number Per Section | | | | | | | | | | |
| | | | | L-5 to P-5 | | | | | | | | | | |
| 1 | Drawer Face (includes item 6) | PR46B-D2 | 2A9760G01 | 1 | | | | | | | | | | |
| | | PR60B-D2(-D4) | 2A9759G01 | 1 | | | | | | | | | | |
| | | PR67B-D2(-D4) | 2A9736G01 | 1 | | | | | | | | | | |
| | | PR93B-D2(-D4)(-D6) | | | | | | | | | | | | |
| 2 | Drawer Box | PR46B-D2 | 2A7236G01 | 1 | | | | | | | | | | |
| | | PR60B-D2(-D4) | 2B0060G01 | 1 | | | | | | | | | | |
| | | PR67B-D2(-D4) | 2A7319G01 | 1 | | | | | | | | | | |
| | | PR93B-D2(-D4)(-D6) | | | | | | | | | | | | |
| 3 | Drawer Divider | PR46B-D2 | 3B0029-02 | 1 | | | | | | | | | | |
| | | PR60B-D2(-D4) | 2B0061-01 | 1 | | | | | | | | | | |
| | | PR67B-D2(-D4) | 3B0029-02 | 1 | | | | | | | | | | |
| | | PR93B-D2(-D4)(-D6) | | | | | | | | | | | | |
| 4 | Right Side Roller | | 4A5674-02 | 1 | | | | | | | | | | |
| 5 | Left Side Roller | | 4A5674-05 | 1 | | | | | | | | | | |
| 6 | Drawer Gasket | PR46B-D2 | 2A5192-16 | 1 | | | | | | | | | | |
| | | PR60B-D2(-D4) | 2A5192-17 | 1 | | | | | | | | | | |
| | | PR67B-D2(-D4) | 2A5192-15 | 1 | | | | | | | | | | |
| | | PR93B-D2(-D4)(-D6) | | | | | | | | | | | | |

F. Accessories & Labels

PR46B(-D2), PR60B(-D2)(-D4), PR67B(-D2)(-D4), PR93B(-D2)(-D4)(-D6)

L-5 to P-5



| Title: F. Accessories & Labels Models: PR46B(-D2), PR60B(-D2)(-D4), PR67B(-D2)(-D4), PR93B(-D2)(-D4)(-D6) | | | | | Required Number | | | | | | | | | | | | | |
|---|--|------------------------------------|-------------|------------|-----------------|--|--|--|--|--|--|--|--|--|--|--|--|--|
| Index No. | Description | Material or Model Number | Part Number | L-5 to P-5 | | | | | | | | | | | | | | |
| 1 | Penguin Label | | 475552L01 | 1 | | | | | | | | | | | | | | |
| 2 | Cutting Board | PR46B(-D2) | 3A4894-18 | 1 | | | | | | | | | | | | | | |
| | | PR60B(-D2)(-D4) | 3A4894-21 | 1 | | | | | | | | | | | | | | |
| | | PR67B(-D2)(-D4) | 3A4894-17 | 1 | | | | | | | | | | | | | | |
| | | PR93B(-D2)(-D4)(-D6) | 3A4894-16 | 1 | | | | | | | | | | | | | | |
| 3 | 6" Caster Kit (includes 2 of items 4 and 5) | HS-5036 | 4A5435A01 | 1 | | | | | | | | | | | | | | |
| 4 | 6" Non-Locking Caster | PR46B(-D2) PR93B(-D2)(-D4)(-D6) | 4A5428-01 | 3 | | | | | | | | | | | | | | |
| | | PR60B(-D2)(-D4) PR67B(-D2)(-D4) | | 2 | | | | | | | | | | | | | | |
| 5 | 6" Locking Caster | PR46B(-D2) PR93B(-D2)(-D4)(-D6) | 4A5428-02 | 3 | | | | | | | | | | | | | | |
| | | PR60B(-D2)(-D4) PR67B(-D2)(-D4) | | 2 | | | | | | | | | | | | | | |
| 6 | 1/3 Size Pan, 4" Depth | PR46B(-D2) | 1000000351 | 6 | | | | | | | | | | | | | | |
| | | PR60B(-D2)(-D4) | | 8 | | | | | | | | | | | | | | |
| | | PR67B(-D2)(-D4) | | 9 | | | | | | | | | | | | | | |
| | | PR93B(-D2)(-D4)(-D6) | | 12 | | | | | | | | | | | | | | |
| 7 | Pan Divider | PR46B(-D2) | 3A4934-03 | 7 | | | | | | | | | | | | | | |
| | | PR60B(-D2)(-D4) | | 9 | | | | | | | | | | | | | | |
| | | PR67B(-D2)(-D4) | | 10 | | | | | | | | | | | | | | |
| | | PR93B(-D2)(-D4)(-D6) | | 13 | | | | | | | | | | | | | | |