



HOSHIZAKI

Parts List

Modular Crescent Cuber

Models

KM-90 IMAJ

KM-90 IMWJ

KM-90 IMRJ(Z)/3



hoshizakiamerica.com

Number: 71391
Issued: 10-23-2017
Revised: 12-17-2024

CONTENTS

Auxiliary Codes.....	3
Note About Ordering Parts	4
A. Main Assembly & Refrigeration Circuit	5
KM-901MAJ	5
KM-901MWJ.....	9
KM-901MRJ(Z)/3	13
KM-901MRJZ/3	14
B. Water Circuit	17
C. Control Box Assembly	21
D. Accessories & Labels	25

Auxiliary Codes

KM-901MAJ

G-0 May 2017
G-1 October 2017
H-0 January 2018
H-1 March 2018
H-2 September 2018
J-0 January 2019
K-0 January 2020
K-1 April 2020
L-0 January 2021
L-1 April 2021
L-2 June 2021
L-3 August 2021
L-4 September 2021
M-0 February 2022
N-0 January 2023
N-1 September 2023
P-0 January 2024
P-2 July 2024
P-4 October 2024

KM-901MWJ

G-0 May 2017
G-1 December 2017
H-0 January 2018
H-1 April 2018
H-2 October 2018
J-0 January 2019
K-0 January 2020
K-1 April 2020
L-0 January 2021
L-1 April 2021
L-2 June 2021
L-3 August 2021
L-4 September 2021
M-0 February 2022
N-0 February 2023
N-1 September 2023
P-0 February 2024
P-2 July 2024
P-3 September 2024
P-4 October 2024

KM-901MRJ

G-0 May 2017
G-1 October 2017
H-0 January 2018
H-1 March 2018
H-2 September 2018
J-0 January 2019
K-0 January 2020
K-1 April 2020
L-0 January 2021
L-1 April 2021
L-2 June 2021
L-3 August 2021
L-4 September 2021

KM-901MRJ3

G-0 July 2017
G-1 November 2017
H-0 January 2018
H-1 September 2018
J-0 May 2019
K-0 January 2020
L-0 January 2021
L-1 April 2021
L-2 June 2021
L-3 August 2021
L-4 September 2021
N-1 August 2023

KM-901MRJZ

L-0 November 2021
M-0 February 2022
N-0 January 2023
N-1 September 2023
P-0 January 2024
P-2 July 2024
P-3 September 2024
P-4 October 2024

KM-901MRJZ3

M-0 February 2022
N-0 April 2023
N-1 September 2023
P-0 February 2024
P-4 December 2024

Auxiliary Code Breakdown

The auxiliary code is the first two characters in the serial number. The first character indicates the year. Years progress or regress in alphabetical order. The series runs from "A" through "V" and the letters "I" and "O" are skipped. The second character indicates significant part changes within a year. Base is "0" and this number advances for each change. In cases where there is a letter in parentheses, this designates the month. This is the last character in the serial number. The series runs from "(A)" through "(M)" and the letter "(I)" is skipped. This designation is only included when identifying a parts change within an auxiliary code.

Note About Ordering Parts

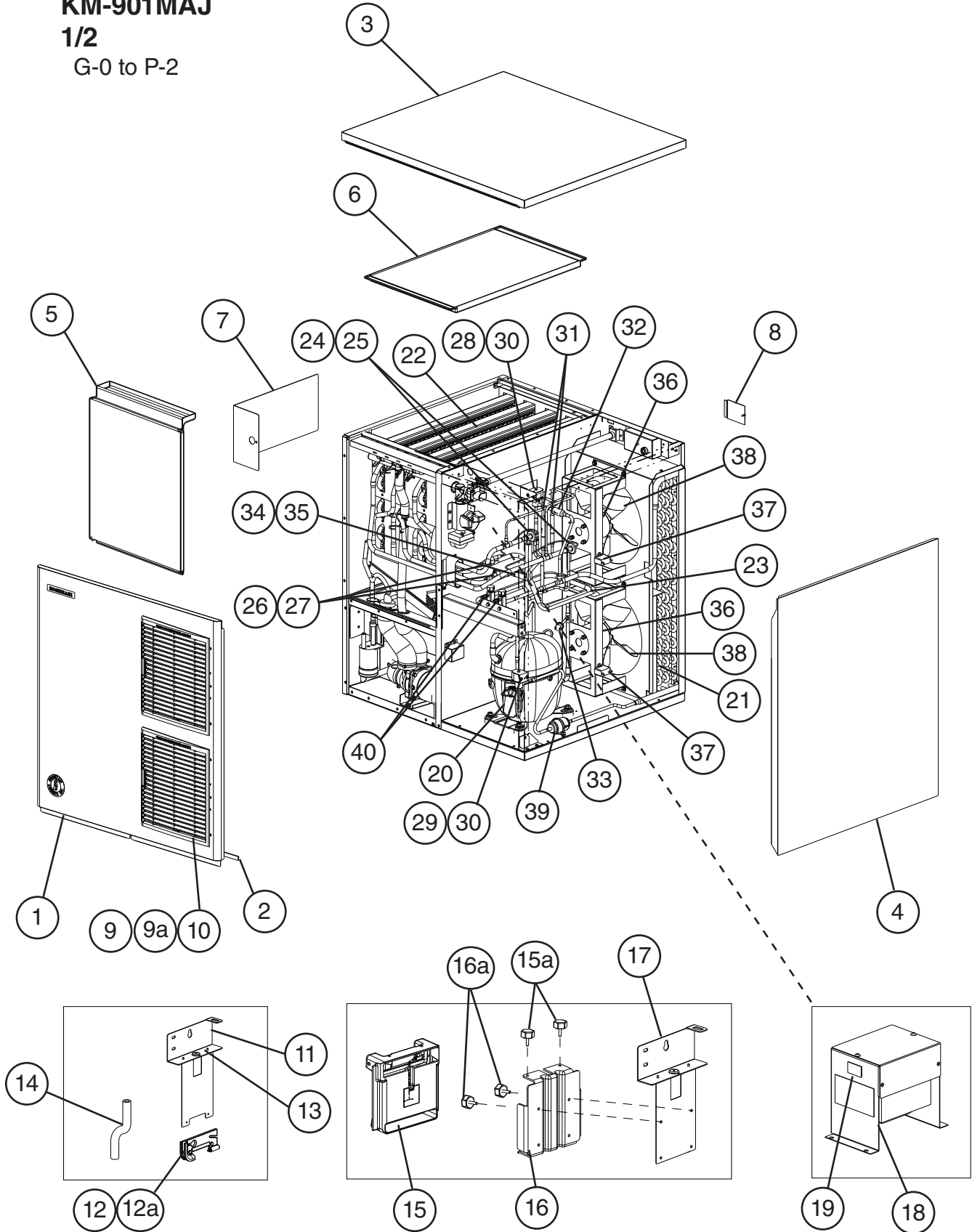
Most assemblies cannot be ordered as complete units; parts in the assemblies generally must be ordered separately.

A. Main Assembly & Refrigeration Circuit

KM-901MAJ

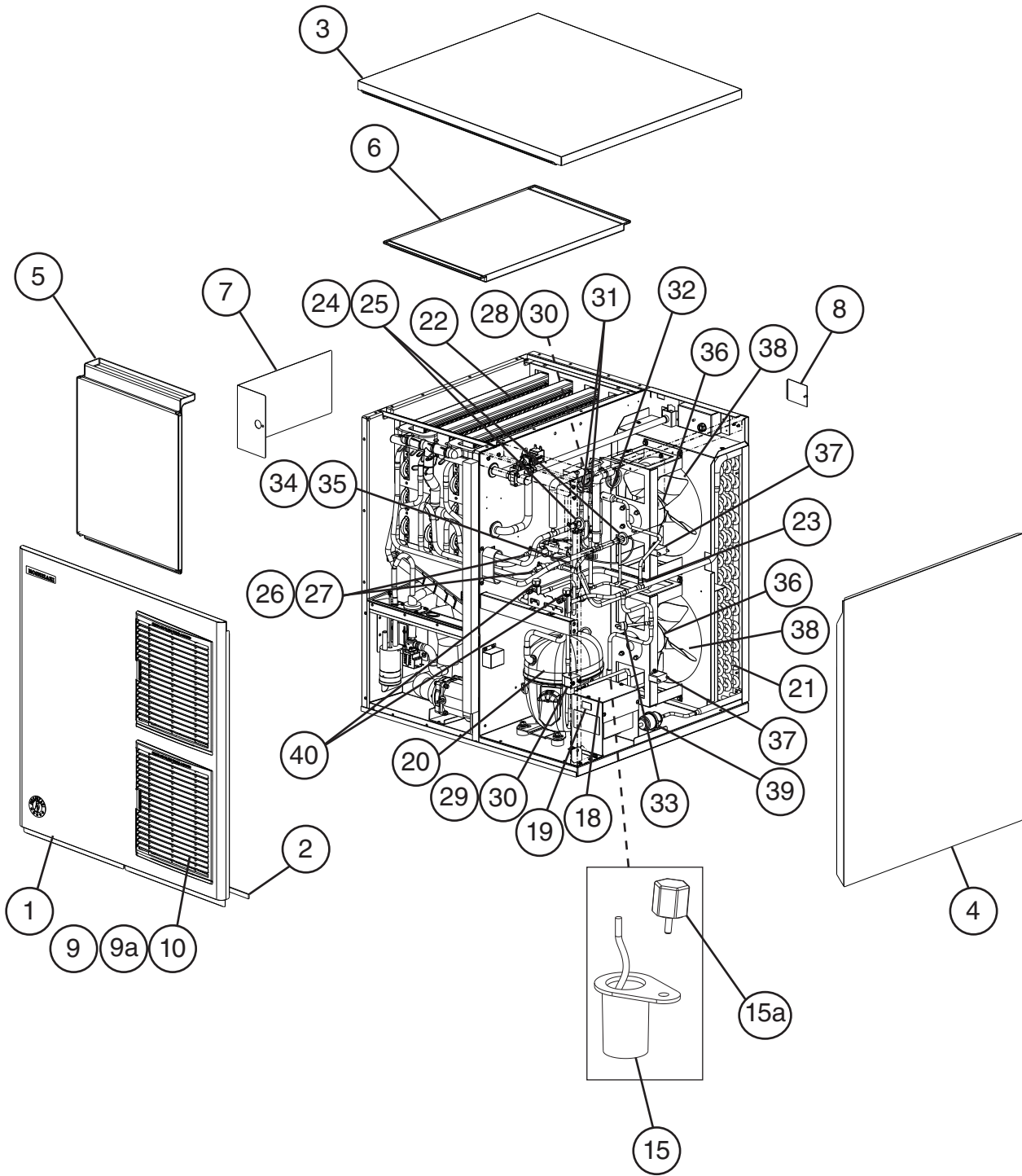
1/2

G-0 to P-2



For Bin Control Thermostat,
see "C. Control Box Assembly"

A. Main Assembly & Refrigeration Circuit
KM-901MAJ
2/2
 P-4



Title: A. Main Assembly & Refrigeration Circuit Model: KM-901MAJ										
Index No.	Description	Material or Model Number	Part Number	Required Number						
				G-0 to L-2	L-3 to L-4	M-0 to P-2	P-4			
Main Assembly										
1	Front Panel Assembly (includes items 9 through 10)		1A6367A01	1	-					
			1A6367A02		1	1	1			
2	Gasket	L=762 mm	4A0808L02	1	1	1	1			
3	Top Panel Assembly		3A1941A01	1	1	1	1			
4	Right Side Panel		1A3617G01	1	1	1	1			
5	Front Insulation		3A8392G01	1	1	1	1			
6	Top Insulation		322714G01	1	1	1	1			
7	Control Box Cover		3A9007-01	1	-					
			3B1113-01		1	1	-			
			3B1942-01					1		
8	Junction Box Cover		433410-01	1	1	1	1			
9	Louver Assembly		2A6649A01	2	2	2	2			
9a	Push Retainer		4A2414-01	6	-					
10	Air Filter		2A2062G01	2	2	2	2			
11	Thermostatic Bulb Holder Bracket		322815G02	1	1	-				
12	Thermostatic Bulb Holder		3A3903-01	1	1	-				
12a	Thumbscrew		415949G10	2	2	-				
13	Thermostatic Capillary Tube Bushing		425307-02	1	1	-				
14	Silicone Hose	L=285 mm	773013812	1	1	-				
15	Mechanical Bin Control		2A8598G02			1	-			
	Ultrasonic Bin Control		4A6148G01				1			
15a	Thumbscrew		415949G10			2	-			
	Thumbscrew		415949G12				1			
16	Mechanical Bin Control Bracket		3A6040-01			1	-			
16a	Thumbscrews		415949G10			2	-			
17	Mechanical Bin Control Extension Bracket		4A7068G01			1	-			
18	Main Transformer		4A5695-01	1	1	1	1			
19	Voltage Tap Switch		4A1477-01	1	1	1	1			
Refrigeration Circuit										
20	Compressor		3A6900-01	1	1	1	1			
21	Condenser		1A4459-01	1	1	1	1			
22	Evaporator		1A3820G01	1	1	1	1			
23	Heat Exchanger		1A7669G01	1	1	1	1			
24	Thermostatic Expansion Valve		4A4008-02	2	2	2	2			
25	Thermostatic Expansion Valve Cover		4A6853-01	2	2	2	-			
			3A0944-01				2			
26	Thermostatic Expansion Valve Bulb Holder		3A0107-01	2	2	2	2			
27	Clamp		443461-02	2	2	2	2			
28	Hot Gas Valve Body		4A3978-01	1	1	1	1			
29	Liquid Line Valve Body		4A3276-01	1	1	1	1			
30	Valve Coil		4A3277-01	2	2	2	2			
31	Check Valve		4A1373-01	2	2	2	2			

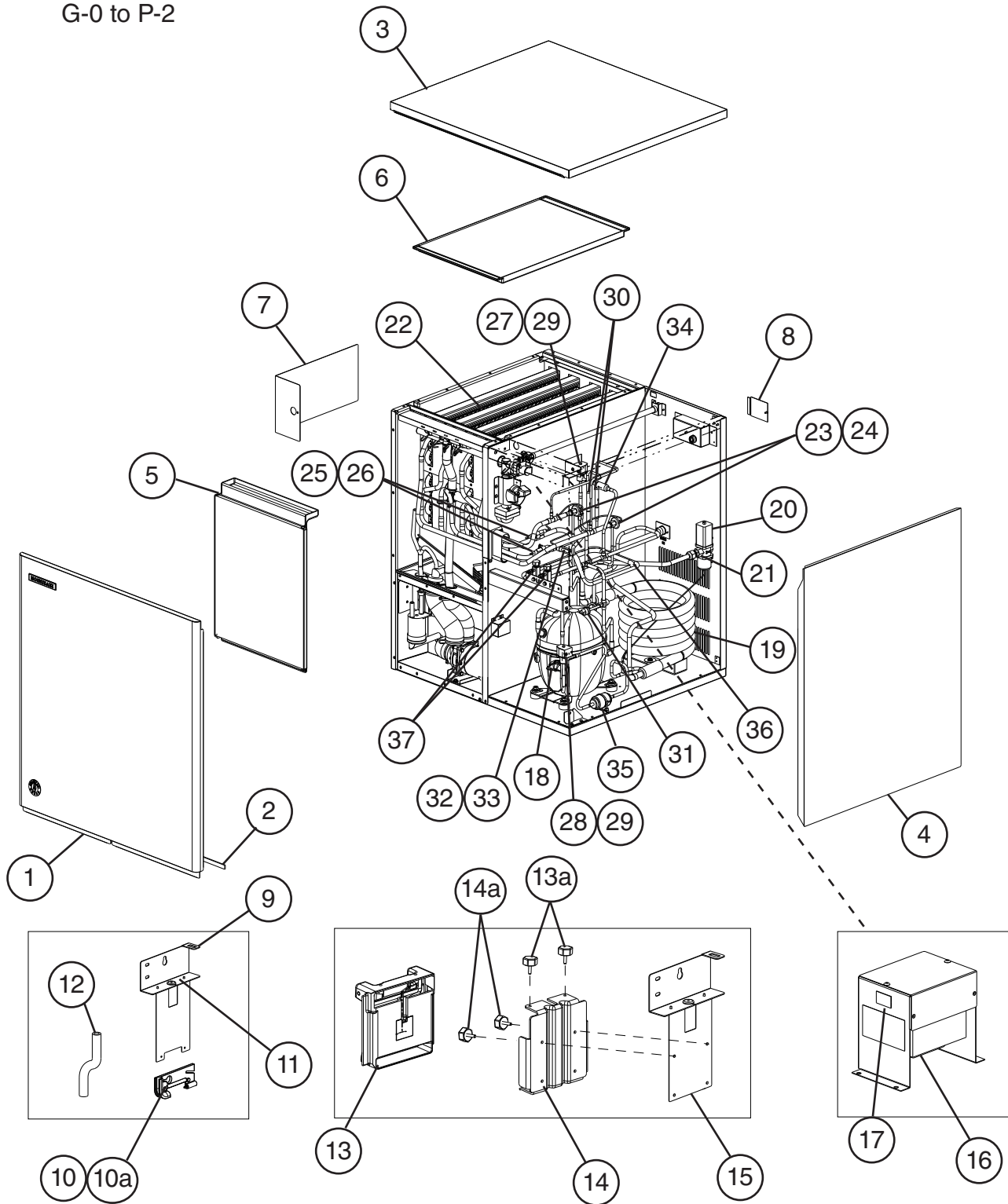
Title: A. Main Assembly & Refrigeration Circuit Model: KM-901MAJ											
Index No.	Description	Material or Model Number	Part Number	Required Number							
				G-0 to L-2	L-3 L-4	M-0 to P-2	P-4				
32	Strainer		441569-04	1	1	1	1				
33	High-Pressure Switch		463180-04	1	1	1	1				
34	Thermistor	SP-5672	429006-03	1	1	1	1				
35	Thermistor Holder		427430-01	1	1	1	1				
36	Fan Motor		4A3158-01	2	2	2	2				
37	Fan Motor Capacitor	5MFD, 250VAC	4A6435-02	2	2	2	2				
38	Fan Blade		4A3959-01	2	2	2	2				
39	Drier		4A1113-01	1	1	1	1				
40	Service Valves		4A3420-01	2	2	2	2				

A. Main Assembly & Refrigeration Circuit

KM-901MWJ

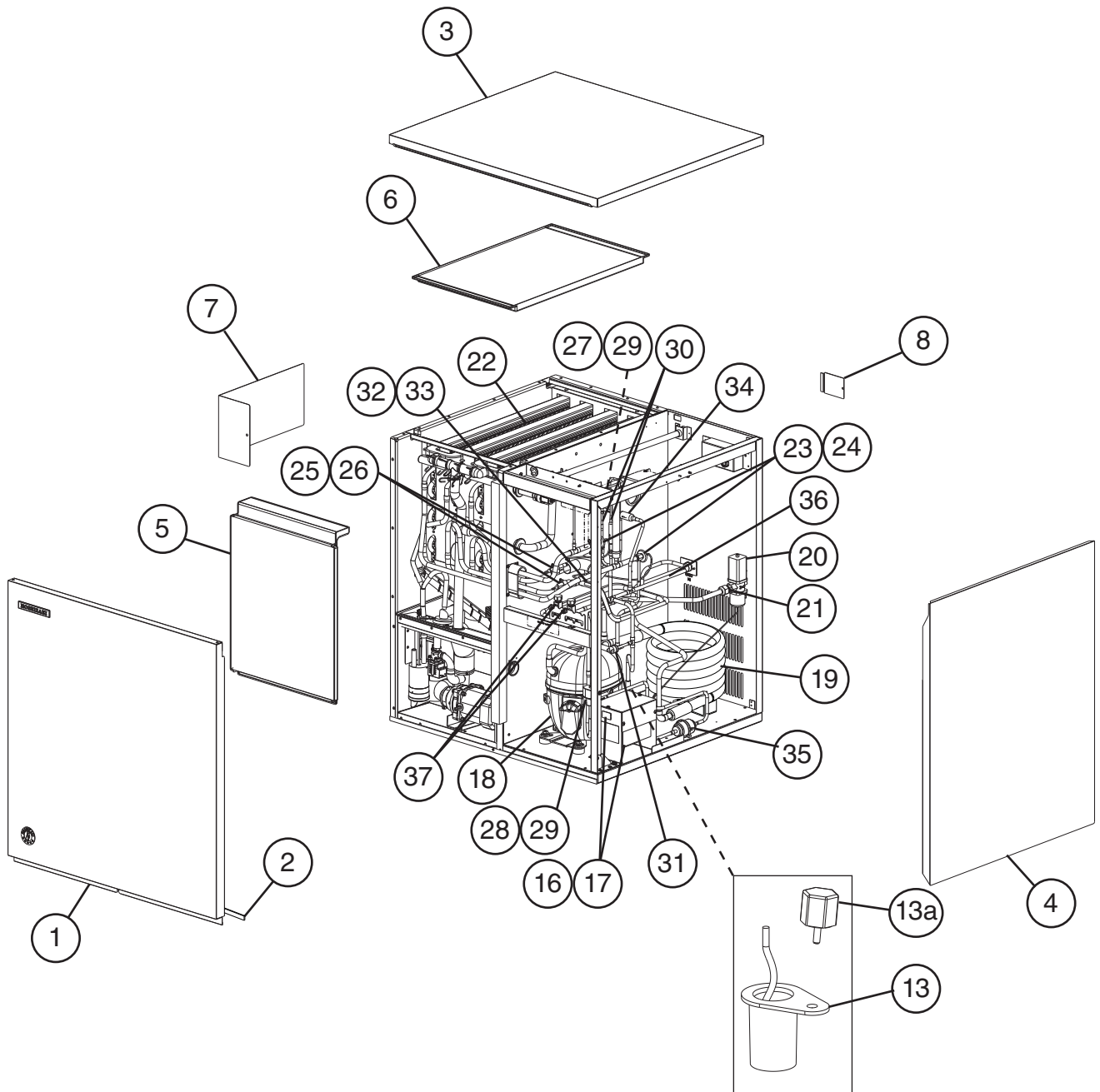
1/2

G-0 to P-2



For Bin Control Thermostat,
see "C. Control Box Assembly"

A. Main Assembly & Refrigeration Circuit
KM-901MWJ
2/2
P-3, P-4



Title: A. Main Assembly & Refrigeration Circuit Model: KM-901MWJ												
Index No.	Description	Material or Model Number	Part Number	Required Number								
				G-0 to L-2	L-3 to P-0	P-3 P-4						
Main Assembly												
1	Front Panel Assembly		1A6376A01	1	-							
			1A7686A01		1	1						
2	Gasket	L=762 mm	4A0808L02	1	1	1						
3	Top Panel Assembly		3A1941A01	1	1	1						
4	Right Side Panel		1A3617G01	1	1	1						
5	Front Insulation		3A8392G01	1	1	1						
6	Top Insulation		322714G01	1	1	1						
7	Control Box Cover		3A9007-01	1	-							
			3B1113-01		1	1						
8	Junction Box Cover		433410-01	1	2	2						
9	Thermostatic Bulb Holder Bracket		322815G02	1	-							
10	Thermostatic Bulb Holder		3A3903-01	1	-							
10a	Thumbscrew		415949G10	2	-							
11	Thermostatic Capillary Tube Bushing		425307-02	1	-							
12	Silicone Hose	L=285 mm	7730I3812	1	-							
13	Mechanical Bin Control		2A8598G02		1	-						
	Ultrasonic Bin Control		4A6148G01			1						
13a	Thumbscrew		415949G10		2	1						
14	Mechanical Bin Control Bracket		3A6040-01		1	-						
14a	Thumbscrews		415949G10		2	-						
15	Mechanical Bin Control Extension Bracket		4A7068G01		1	-						
16	Main Transformer		4A5695-01	1	1	1						
17	Voltage Tap Switch		4A1477-01	1	1	1						
Refrigeration Circuit												
18	Compressor		3A6900-01	1	1	1						
19	Water-Cooled Condenser		3A7323-01	1	1	1						
20	Water Regulating Valve		4A0911-07	1	1	1						
21	Male Connector		4A1087-01	1	1	1						
22	Evaporator		1A3820G01	1	1	1						
23	Thermostatic Expansion Valve		4A4008-02	2	2	2						
24	Thermostatic Expansion Valve Cover		3A0944-01	2	2	2						
25	Thermostatic Expansion Valve Bulb Holder		3A0107-01	2	2	2						
26	Clamp		443461-02	2	2	2						
27	Hot Gas Valve Body		4A3978-01	1	1	1						
28	Liquid Line Valve Body		4A3276-01	1	1	1						
29	Valve Coil		4A3277-01	2	2	2						
30	Check Valve		4A1373-01	2	2	2						
31	High-Pressure Switch		463180-05	1	1	1						
32	Thermistor	SP-5672	429006-03	1	1	1						

Title: A. Main Assembly & Refrigeration Circuit Model: KM-901MWJ

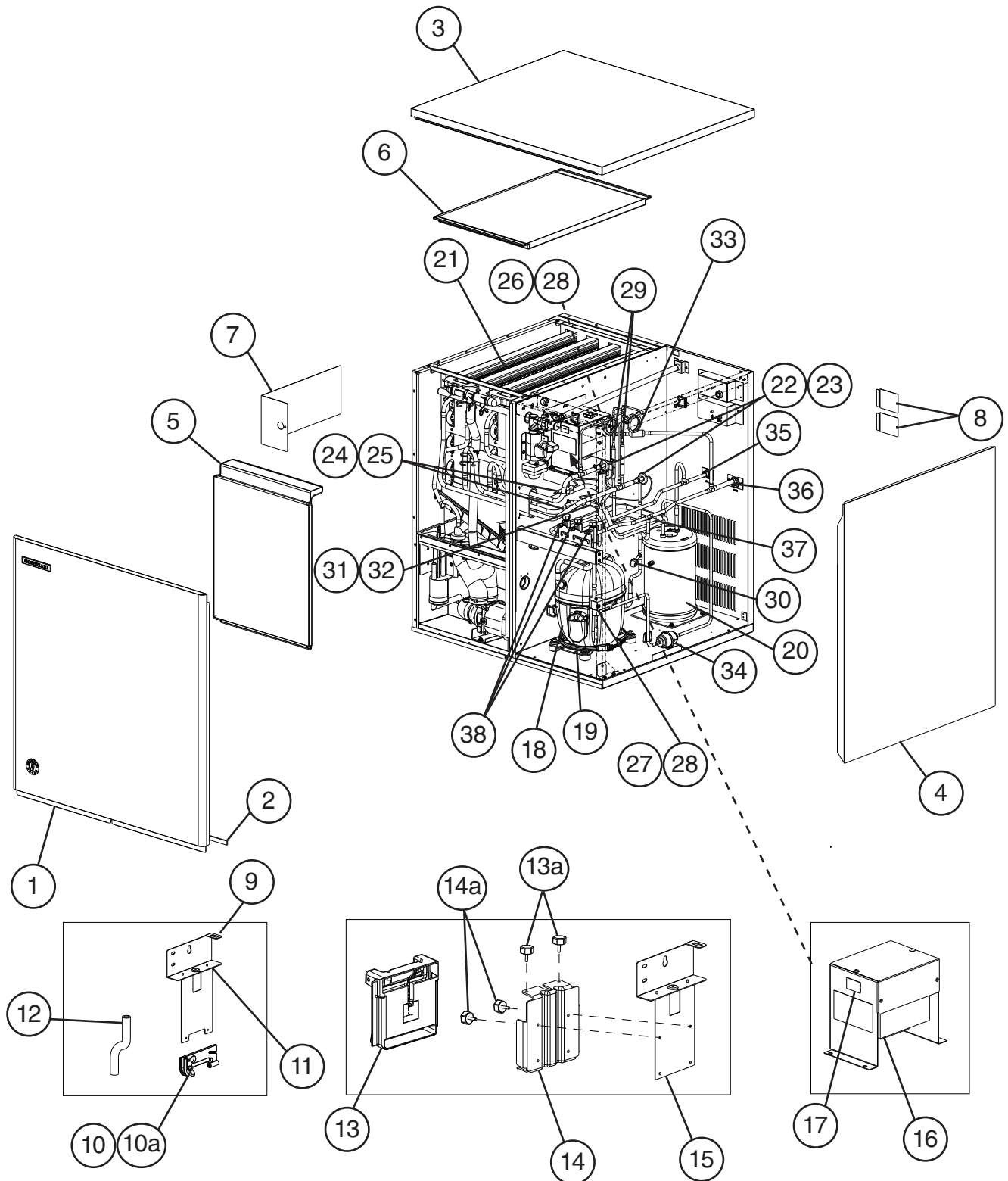
Index No.	Description	Material or Model Number	Part Number	Required Number									
				G-0 to L-2	L-3 to P-0	P-3 P-4							
33	Thermistor Holder		427430-01	1	1	1							
34	Strainer		441569-04	1	1	1							
35	Drier		4A1113-01	1	1	1							
36	Heat Exchanger		1A7669G01	1	1	1							
37	Service Valve		4A3420-01	2	2	2							

A. Main Assembly & Refrigeration Circuit

KM-901MRJ(Z)/3

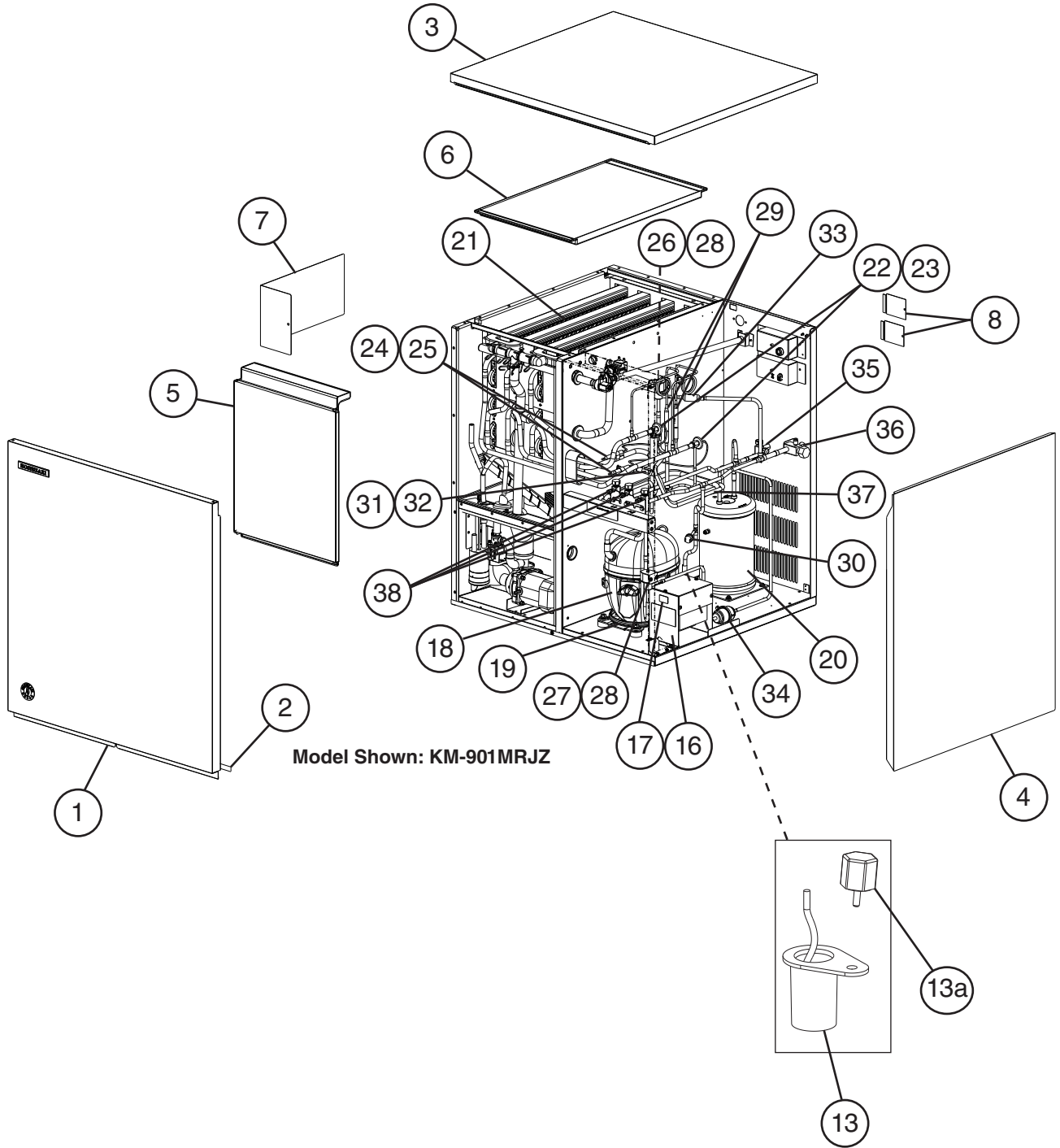
1/2

G-0 to L-4, L-0(L) to P-2



For Bin Control Thermostat,
see "C. Control Box Assembly"

A. Main Assembly & Refrigeration Circuit
KM-901MRJZ/3
2/2
P-3, P-4

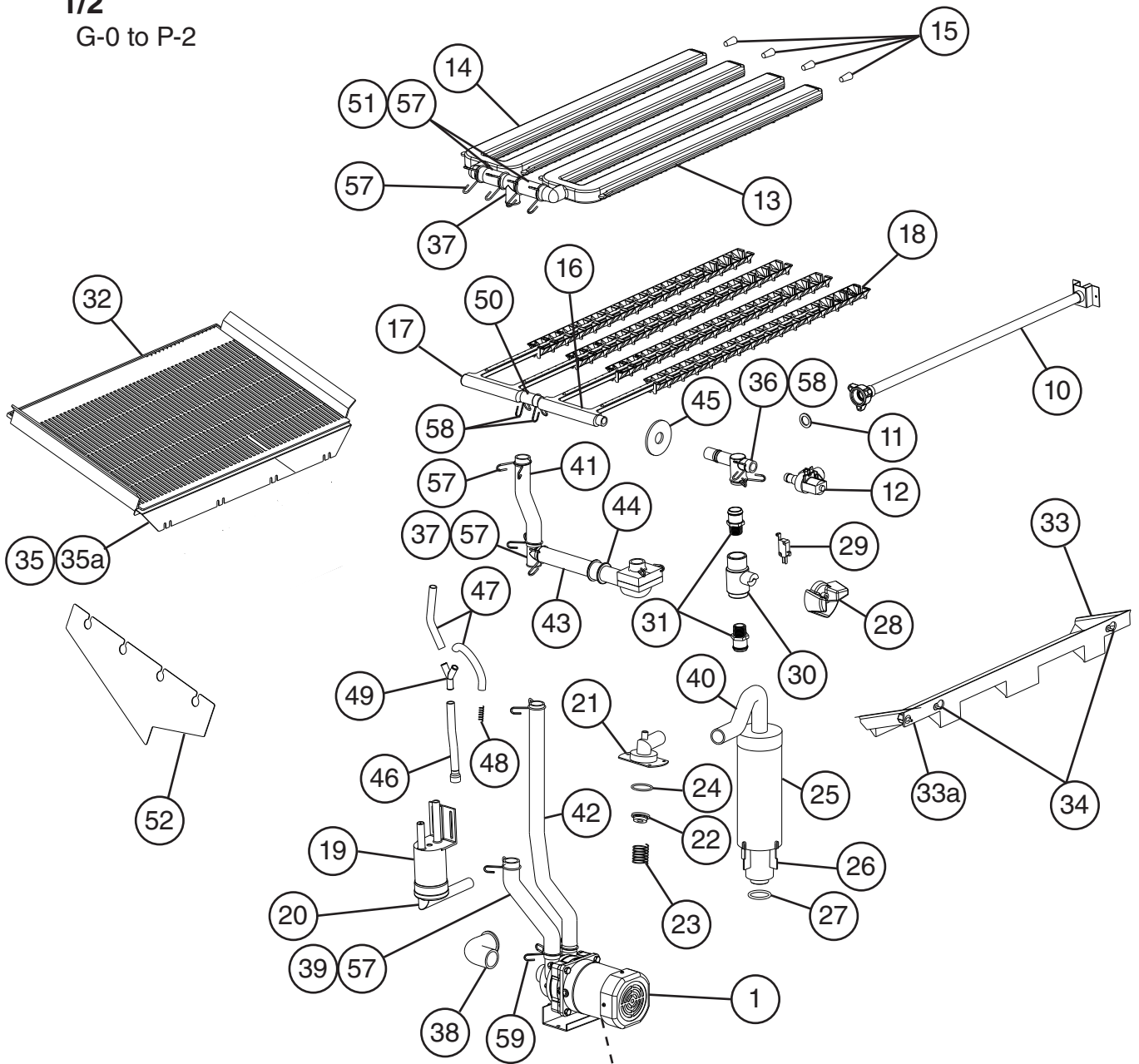


Title: A. Main Assembly & Refrigeration Circuit Model: KM-901MRJ(Z)/3											
Index No.	Description	Material or Model Number	Part Number	Required Number							
				G-0 to L-4 (K)	L-0 (L)	M-0 to P-2	P-3 P-4				
Main Assembly											
1	Front Panel Assembly		1A6376A01	1	1	1	1				
2	Gasket	L=762 mm	4A0808L02	1	1	1	1				
3	Top Panel Assembly		3A1941A01	1	1	1	1				
4	Right Side Panel		1A3617G01	1	1	1	1				
5	Front Insulation		3A8392G01	1	1	1	1				
6	Top Insulation		322714G01	1	1	1	1				
7	Control Box Cover		3B1113-01	1	1	1	1				
8	Junction Box Cover		433410-01	2	2	2	2				
9	Thermostatic Bulb Holder Bracket		322815G02	1	1	-					
10	Thermostatic Bulb Holder		3A3903-01	1	1	-					
10a	Thumbscrew		415949G10	2	2	-					
11	Thermostatic Capillary Tube Bushing		425307-02	1	1	-					
12	Silicone Hose	L=285 mm	7730I3812	1	1	-					
13	Mechanical Bin Control		2A8598G02			1	-				
	Ultrasonic Bin Control		4A6148G01				1				
13a	Thumbscrew		415949G10			2	1				
14	Mechanical Bin Control Bracket		3A6040-01			1	-				
14a	Thumbscrew		415949G10			2	-				
15	Mechanical Bin Control Extension Bracket		4A7068G01			1	-				
16	Main Transformer	KM-901MRJ(Z)	4A5695-01	1	1	1	1				
		KM-901MRJ(Z)/3	4A0817-01	1	1	1	1				
17	Voltage Tap Switch		4A1477-01	1	1	1	1				
Refrigeration Circuit											
18	Compressor	KM-901MRJ(Z)	3A6900-01	1	1	1	1				
		KM-901MRJ(Z)3	3A9473-01	1	1	1	1				
19	Crankcase Heater		4A5091-01	1	1	1	1				
20	Receiver Tank		4A6213-01	1	1	1	1				
21	Evaporator		1A3820G01	1	1	1	1				
22	Thermostatic Expansion Valve		4A4008-02	2	2	2	2				
23	Thermostatic Expansion Valve Cover		3A0944-01	2	2	2	2				
24	Thermostatic Expansion Valve Bulb Holder		3A0107-01	2	2	2	2				
25	Clamp		443461-02	2	2	2	2				
26	Hot Gas Valve Body		4A3978-01	1	1	1	1				
27	Liquid Line Valve Body		4A3276-01	1	1	1	1				
28	Valve Coil		4A3277-01	2	2	2	2				
29	Check Valve		4A1373-01	2	2	2	2				
30	High-Pressure Switch		463180-04	1	1	1	1				
31	Thermistor	SP-5672	429006-03	1	1	1	1				
32	Thermistor Holder		427430-01	1	1	1	1				
33	Strainer		441569-04	1	1	1	1				

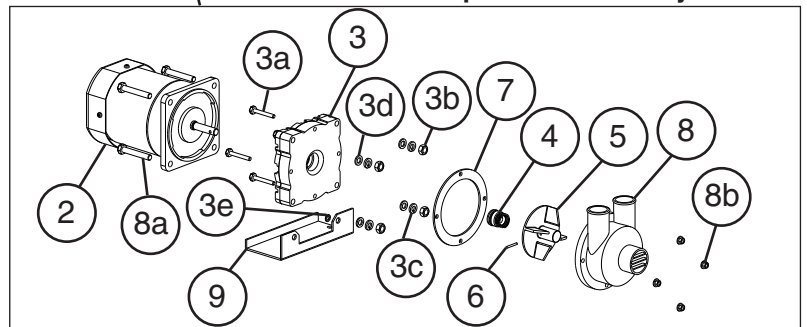
Title: A. Main Assembly & Refrigeration Circuit Model: KM-901MRJ(Z)/3

Index No.	Description	Material or Model Number	Part Number	Required Number									
				G-0 to L-4 (K)	L-0 (L)	M-0 to P-2	P-3 P-4						
34	Drier		4A1113-01	1	1	1	1						
35	Liquid Line Coupling	KM-901MRJ/3	4A3887-01	1	-								
	Liquid Line Shutoff Valve	KM-901MRJZ/3	4A3491-01		1	1	1						
		KM-901MRJZ	4A3491-01		1								
36	Discharge Line Coupling	KM-901MRJ/3	434136-01	1	-								
	Discharge Line Shutoff Valve	KM-901MRJZ/3	4A4822-01		1	1	1						
		KM-901MRJZ	4A4822-01		1								
37	Heat Exchanger		1A4600G01	1	1	1	1						
38	Service Valves		4A3420-01	3	3	3	3						

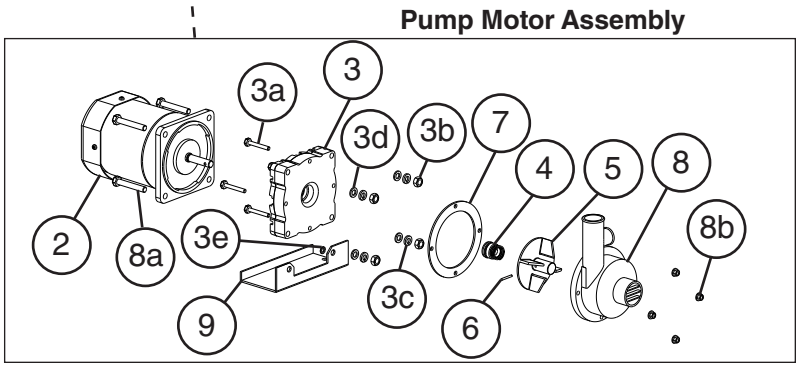
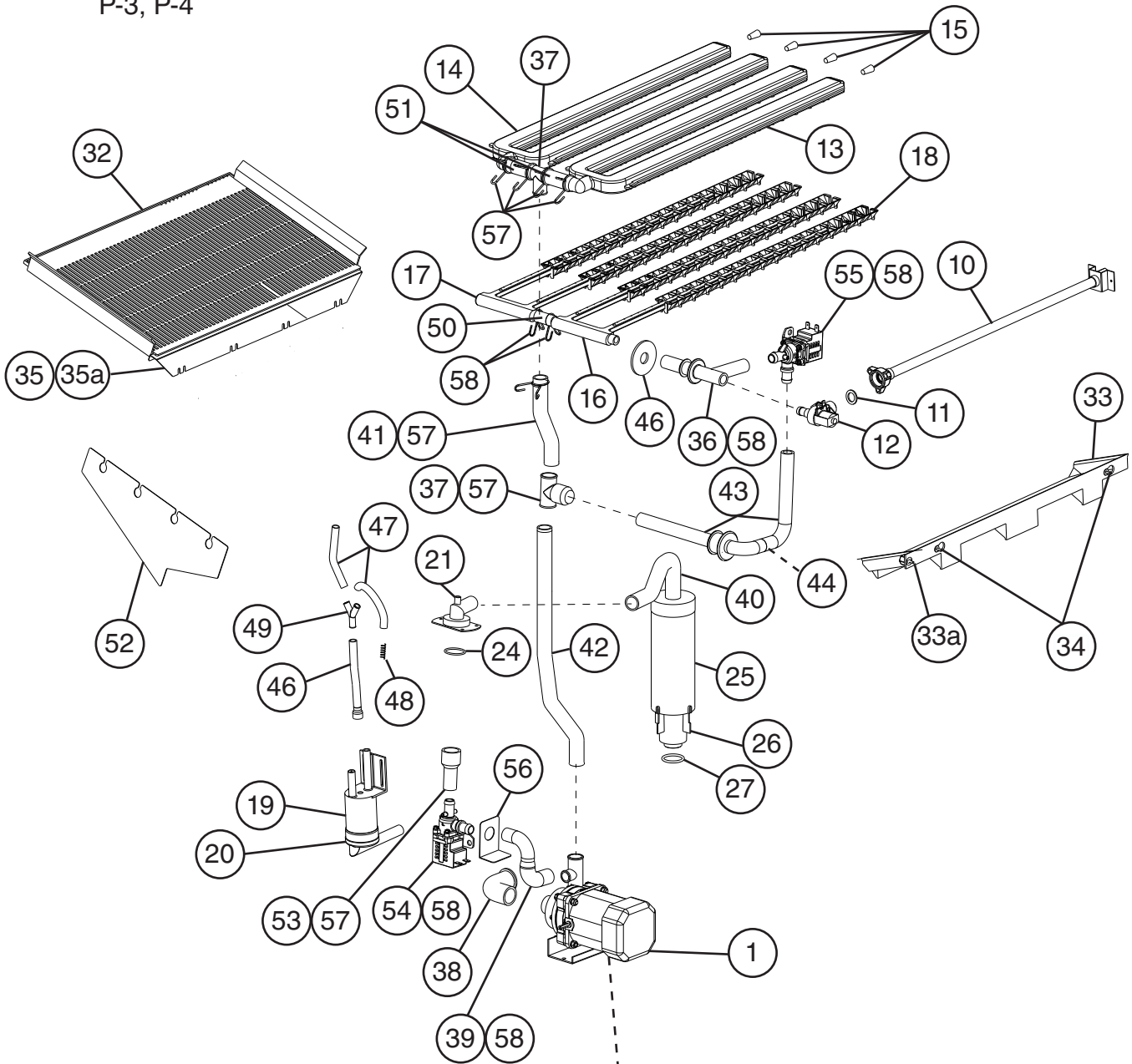
B. Water Circuit
KM-901M_J(Z)/3
1/2
 G-0 to P-2



Pump Motor Assembly



B. Water Circuit
KM-901M_J(Z)/3
2/2
 P-3, P-4



Title: B. Water Circuit Model: KM-901M_J(Z)/3

Index No.	Description	Material or Model Number	Part Number	Required Number							
				G-0	G-1 to L-0	L-1	L-2 to P-0	P-2	P-3	P-4 (K) P-4 (M)	
1	Pump Motor Assembly (Include items 2-9)	S-0731 KM-901MWJ KM-901MRJ(Z)	215693A01	1	1	1	1	1	-		
		KM-901MAJ KM-901MRJZ3		1	1	1	1	1	1	-	
			2B0399A01								1
2	Pump Motor		3A7682-01	1	1	1	-				
			2U0106-01				1	1	1	1	
3	Pump Flange		215662-01	1	1	1	1	1	1	1	
3a	Hex Bolt	4x30	7B02-0430	4	4	4	4	4	4	4	
3b	Hex Nut		7N12-0600	4	4	4	4	4	4	4	
3c	Split Lock Washer		7L22-0600	4	4	4	4	4	4	4	
3d	Flat Washer		7W22-0600	4	4	4	4	4	4	4	
3e	Tooth Washer		7R22-0600	1	1	1	1	1	1	1	
4	Mechanical Seal		4A3820-03	1	1	1	1	1	1	1	
5	Impeller		428548-01	1	1	1	1	1	1	1	
6	Pin		4A0648-01	1	1	1	1	1	1	1	
7	Packing		428547-01	1	1	1	1	1	1	1	
8	Pump Housing		212636-01	1	1	1	1	1	1	-	
			2A2762-01							1	
8a	Hex Bolt	6x40	7B02-0640	4	4	4	4	4	4	4	
8b	Hex Flange Nut		7J02-0400	4	4	4	4	4	4	4	
9	Pump Motor Bracket		435057-01	1	1	1	1	1	1	1	
10	Water Supply Pipe		4A5216G04	1	1	1	1	1	1	1	
11	Rubber Gasket		4A7594-01	1	1	1	1	1	1	1	
12	Inlet Water Valve	KM-901MAJ	3U0111-01	1	1	1	1	1	1	1	
		KM-901MWJ	3U0111-02	1	1	1	1	1	1	1	
		KM-901MRJ(Z)									
13	Right Spray Tube		1A0260-02	1	1	1	1	1	1	1	
14	Left Spray Tube		1A0260-01	1	1	1	1	1	1	1	
15	Plug		4A0176-01	4	4	4	4	4	4	4	
16	Right Water Supply Tube		2A0079-02	1	1	1	1	1	1	1	
17	Left Water Supply Tube		2A0079-01	1	1	1	1	1	1	1	
18	Spray Guide		2A4282-02	4	4	4	4	4	4	4	
19	Float Switch		4A3624-02	1	1	1	-				
			4A7077G02				1	1	1	1	
20	Float Switch Connector		426799-01	1	1	1	1	1	1	1	
21	Drain Valve Housing		3A1170-01	1	1	1	1	1	1	1	
22	Drain Valve Seat		433705-01	1	1	1	1	1	-		
23	Drain Valve Spring		322685-01	1	1	1	1	1	-		
24	O-Ring		7611-G035	1	1	1	1	1	1	1	
25	Overflow Cap		322816-01	1	1	1	1	1	1	1	
26	Overflow Pipe		322691-02	1	1	1	1	1	1	1	
27	O-Ring		4A1234-01	1	1	1	1	1	1	1	
28	Cleaning Valve Handle		215383-01	1	1	1	1	1	-		
29	Cleaning Valve Microswitch		4A2546-01	1	1	1	1	1	-		
30	Cleaning Valve Ball Valve		439293-01	1	1	1	1	1	-		
31	Cleaning Valve Male Adapter		325826-01	2	2	2	2	2	-		

Title: B. Water Circuit Model: KM-901M_J(Z)/3

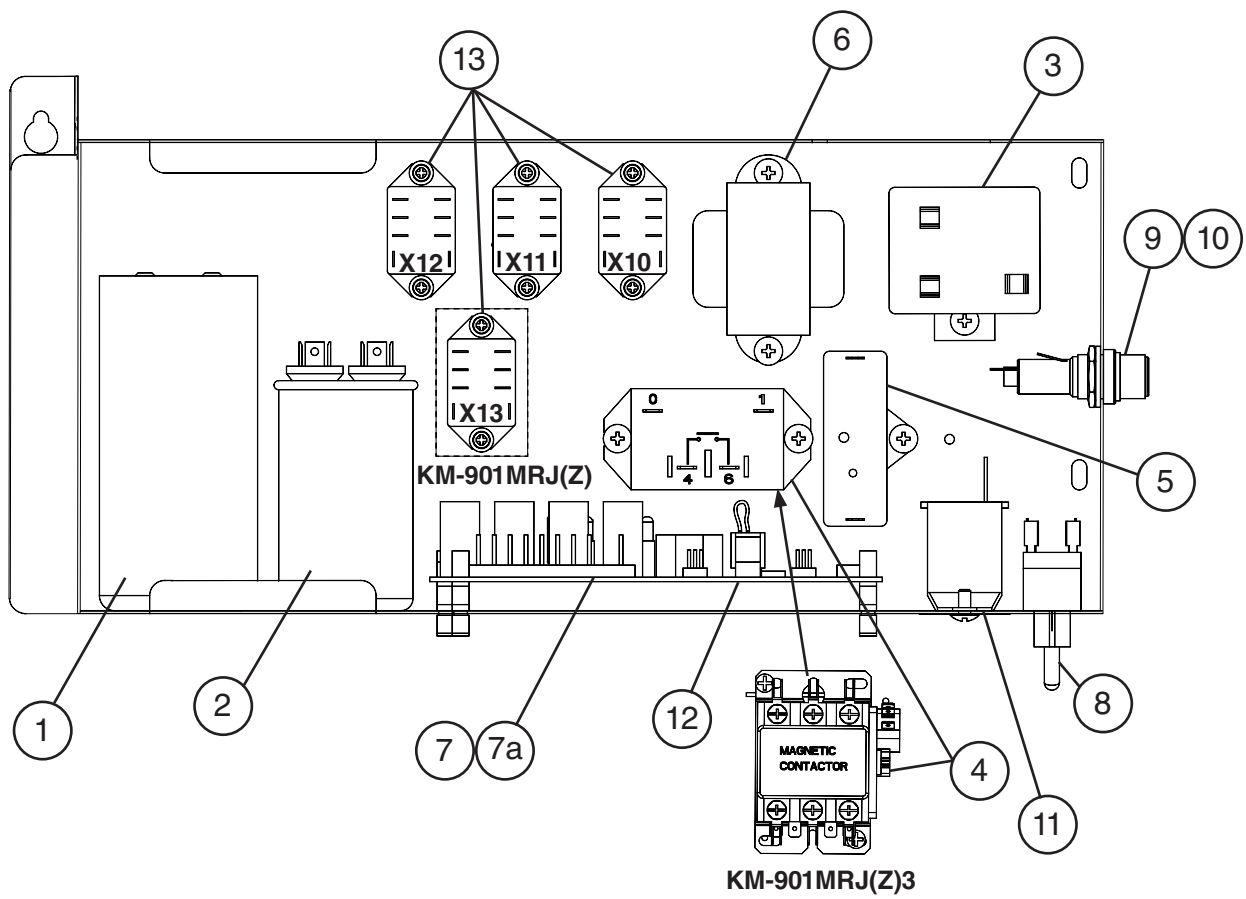
Index No.	Description	Material or Model Number	Part Number	Required Number								
				G-0	G-1 to L-0	L-1	L-2 to P-0	P-2	P-3	P-4 (K) P-4 (M)		
32	Cube Guide (A)		214905-01	1	1	1	1	1	1	1		
33	Cube Guide (B)		322644-02	1	1	1	1	1	1	1		
33a	Thumbscrew		415949G10	1	1	1	1	-				
34	Collar		435269-01	2	2	2	2	2	2	2		
35	Plate		3A0133-01	1	1	-						
			3B0973-01			1	1	1	1	1		
35a	T2 Screw	4x10	7P32-0410	4	4	4	4	4	4	4		
36	Distributor A (Tee)		4A0177-01	1	1	1	1	1	1	1		
37	Distributor (Tee)		432426-01	2	2	2	2	2	2	2		
38	Suction Hose		435091-01	1	1	1	1	1	1	1		
39	Rubber Drain Hose A		435092-01	1	1	1	1	1	1	1		
40	Hose C		326655-01	1	1	1	1	1	1	1		
41	Vinyl Hose	L=170 mm	7716-2025	1	1	1	1	1	1	1		
42	Vinyl Hose	L=470 mm	7716-2025	1	1	1	1	1	1	1		
43	3-Piece Bypass Hose Assembly (includes item 45)		439265-01	1	1	1	1	1	-			
			3B1376G01						1	1		
44	Joint Pipe		4A6286-01					1	1	1		
45	Rubber Ring		439236-01	1	1	1	1	1	1	1		
46	Flange		439267-01	1	1	1	1	1	1	1		
47	Silicone Hose	L=140 mm	773013812	3	3	3	3	3	3	3		
48	Spring		435825-01	1	1	1	1	1	1	1		
49	Connector		432763-01	1	1	1	1	1	1	1		
50	Vinyl Hose	L=63 mm	7716-2025	2	2	2	2	2	2	2		
51	Vinyl Hose	L=47 mm	7716-1519	1	1	1	1	1	1	1		
52	Splash Guard		4A6118-01		1	1	1	1	1	1		
53	Drain Hose B		3B1462-01						1	1		
54	Drain Valve		4A5745-07						1	1		
55	Cleaning Valve		4A5745-06						1	1		
56	Drain Valve Terminal Cover		3B1856-01						1	1		
Hose Clamps												
57	Hose Clamp	25 mm	427443-03	11	11	11	11	11	9	9		
58	Hose Clamp	18 mm	427443-05	3	3	3	3	3	6	6		
59	Hose Clamp	27 mm	427443-08	2	2	2	2	-				

C. Control Box Assembly

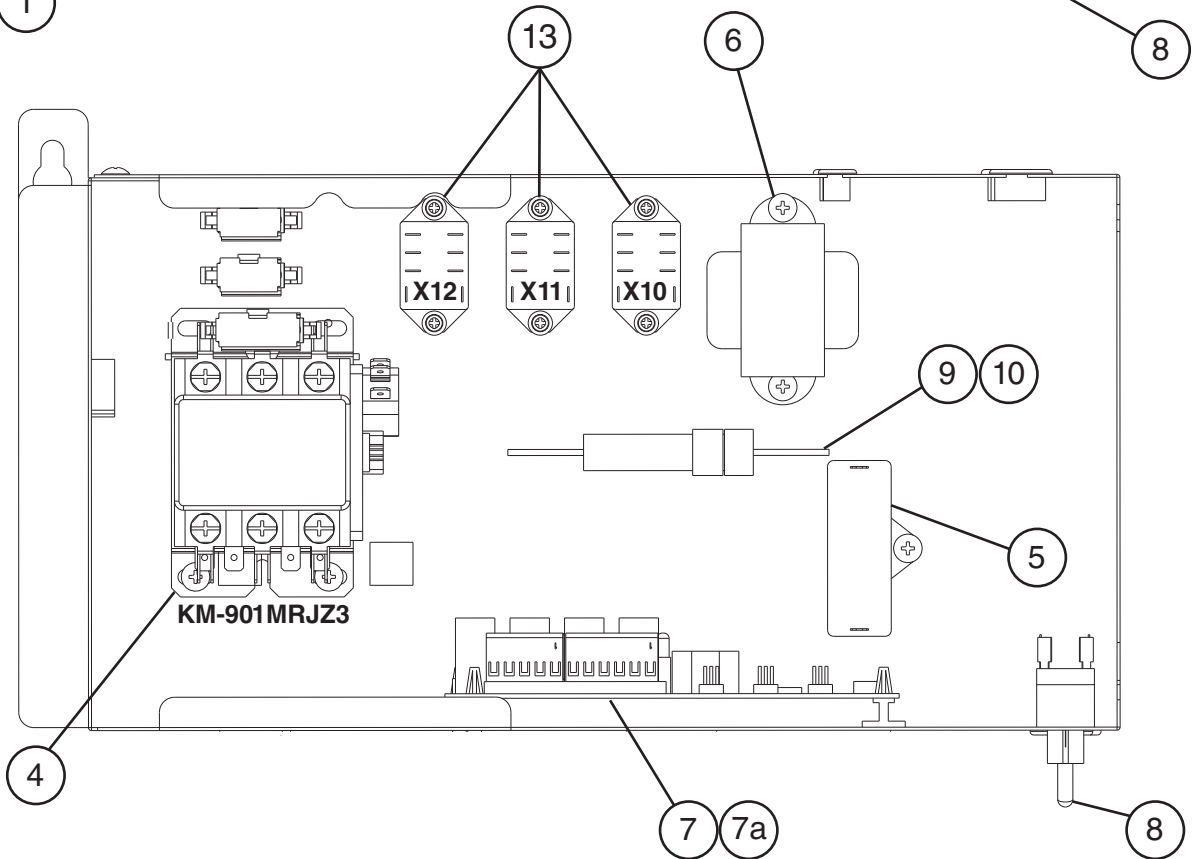
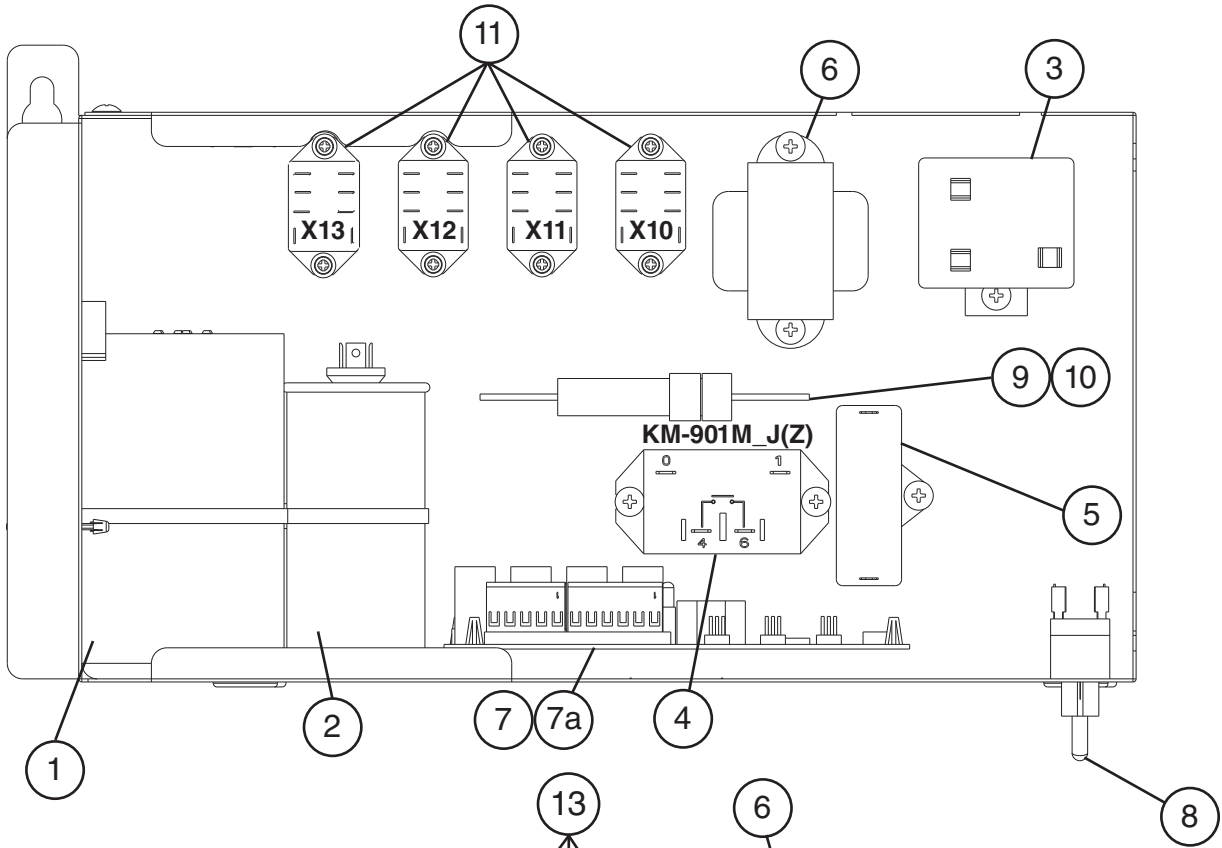
KM-901M_J(Z)/3

1/3

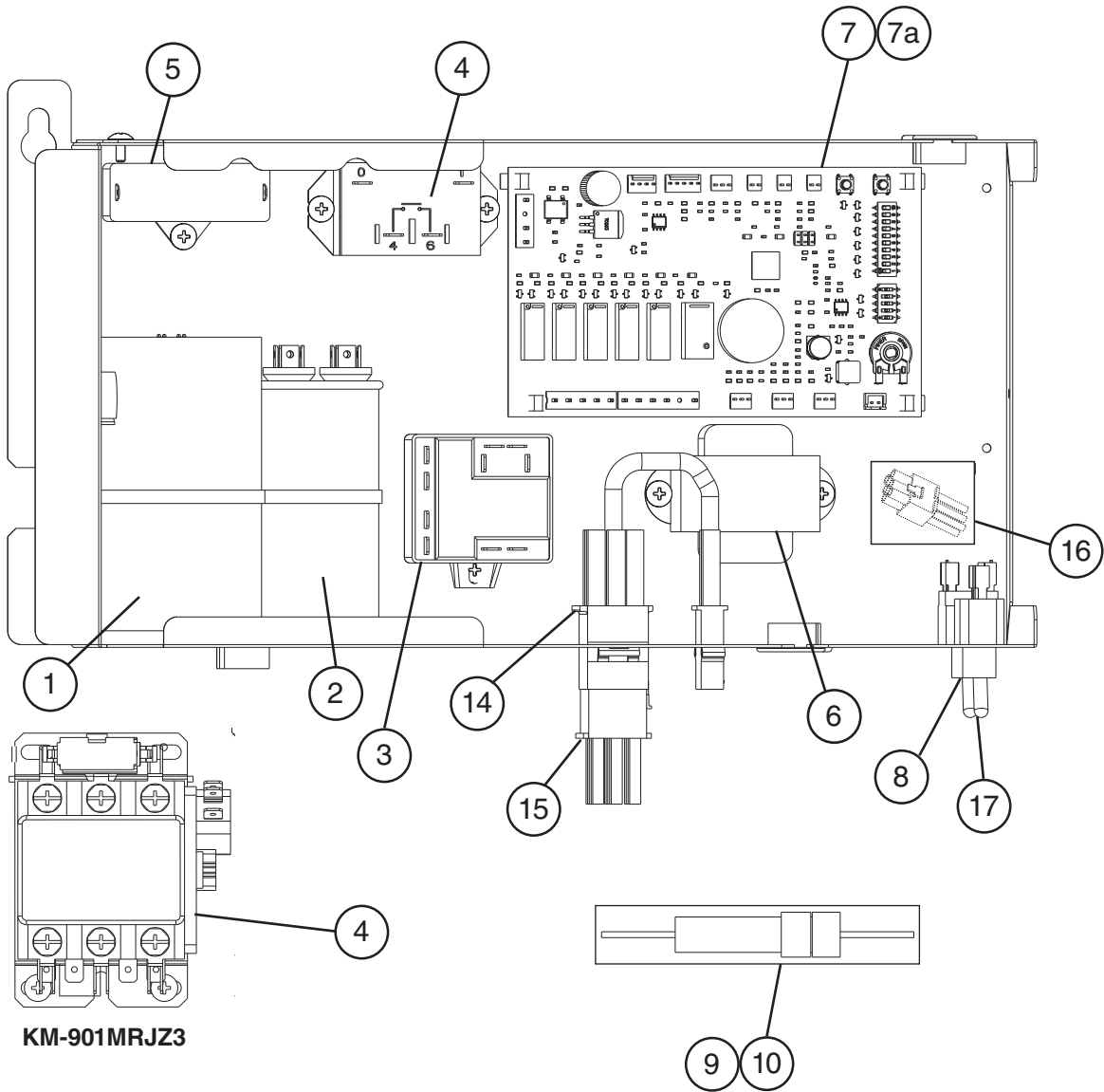
G-0 to L-4



C. Control Box Assembly
KM-901M_J(Z)/3
2/3
 M-0 to P-3



C. Control Box Assembly
KM-901M_J(Z)/3
3/3
P-4

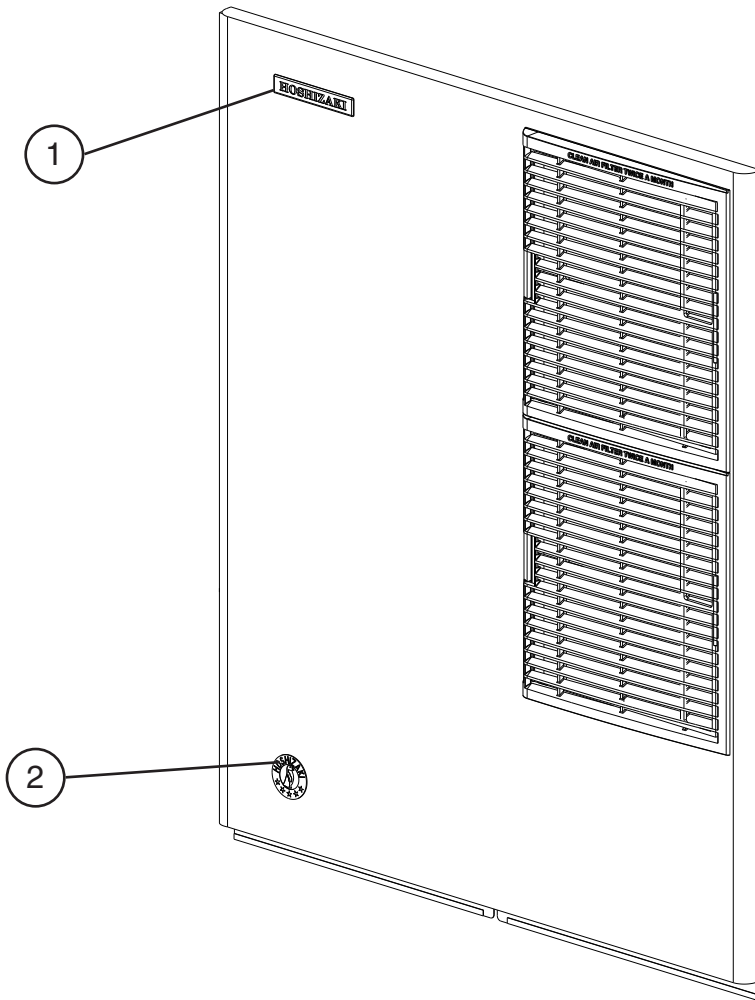


Title: C. Control Box Assembly Model: KM-901M_J(Z)/3											
Index No.	Description	Material or Model Number	Part Number	Required Number							
				G-0 to L-4	M-0 to P-0	P-3	P-4				
1	Start Capacitor	KM-901M_J(Z)	3A0076-22	1	1	1	1				
2	Run Capacitor	KM-901M_J(Z)	3A2005-10	1	1	1	1				
3	Start Relay	KM-901M_J(Z)	4A1107-07	1	1	1	1				
4	Compressor Relay	KM-901M_J(Z)	4A3140-01	1	1	1	1				
	Magnetic Contactor	KM-901MRJ(Z)/3	4A0794-01	1	1	1	1				
5	Pump Motor Capacitor		4A6435-01	1	1	1	1				
6	Control Transformer		3A0172-01	1	1	1	1				
7	Control Board		2A7664-04	1	1	1	-				
			2A9678-02				1				
7a	Control Board Support		4A0336-03	4	4	4	4				
8	Toggle Switch (control)		4A0985-01	1	1	1	1				
9	Fuse Holder		4A5443-01	1	-						
			4A6950-01		1	1	1				
10	Fuse		4A0893-07	1	1	-					
11	Bin Control Thermostat		4A2879-02	1	-						
12	Jumper Connector		4A4883G01	1	-						
13	Relay (X10 - Pump Motor Relay X11 - X10 Control Relay X12 - Slush Control Relay)	All Models	406132-07	3	3	3	-				
	Relay (X13 - Crankcase Heater Relay)	KM-901MRJ(Z)/3		1	1	1	1				
14	Wire Harness A		1A7314-01			1	1				
15	Wire Harness B		1A7316-01			1	1				
16	Wire Harness C		1A5697-01			1	1				
17	Mode Switch		4A0985-01			1	1				

D. Accessories & Labels

KM-901M_J(Z)/3

G-0 to P-4



Title: D. Accessories & Labels Model: KM-901M_J(Z)/3										
Index No.	Description	Material or Model Number	Part Number	Required Number						
				G-0 to L-4	M-0 to P-4					
1	Hoshizaki Emblem Label		4A0560-01	1	1					
2	Penguin Label		475552L02	1	1					
3	Universal Brace		4A0363-01	2	2					
3a	Hex Bolt	5x12, SS	7B02-0512	2	2					
4	Thumbscrew		415949G10		2					