

Hoshizaki America, Inc.

Modular Crescent Cuber

Models

KM-900MAH

KM-900MWH

KM-900MRH/3



“A Superior Degree
of Reliability”

www.hoshizaki.com

PARTS LIST

Number: 71189
Issued: 8-3-2001
Revised: 11-13-2014

CONTENTS

Auxiliary Codes.....	3
Note About Ordering Parts	3
A. Ice Cuber Assembly	4
KM-900MAH.....	4
KM-900MWH.....	7
KM-900MRH, KM-900MRH3.....	10
B. Refrigeration Circuit.....	13
KM-900MAH.....	13
KM-900MWH.....	17
KM-900MRH, KM-900MRH3.....	23
C. Water Circuit.....	27
KM-900MAH, KM-900MWH, KM-900MRH, KM-900MRH3.....	27
D. Control Box Assembly.....	30
KM-900MAH, KM-900MWH, KM-900MRH	30
KM-900MRH3	34
E. Front Panel Assembly.....	37
KM-900MAH, KM-900MWH, KM-900MRH, KM-900MRH3.....	37
F. Top Panel Assembly	38
KM-900MAH, KM-900MWH, KM-900MRH, KM-900MRH3.....	38
G. Transformer Box Assembly.....	39
KM-900MRH3	39
H. Pump Motor Assembly.....	40
KM-900MAH, KM-900MWH, KM-900MRH, KM-900MRH3.....	40
J. Accessories	43
KM-900MAH, KM-900MWH, KM-900MRH, KM-900MRH3.....	43

Auxiliary Codes

KM-900MAH	L-0	April 2001 (through November 2001, except May)	KM-900MRH	L-0	April 2001	
	L-1	May 2001 (only)		M-0	December 2001	
	M-0	December 2001		M-1	February 2002	
	M-1	February 2002		M-2	August 2002	
	M-2	August 2002		N-0	December 2002	
	N-0	December 2002		N-1	March 2003	
	N-1	March 2003		P-0	December 2003	
	P-0	December 2003		Q-0	December 2004	
	P-1	January 2004		R-0	December 2005	
	Q-0	December 2004		R-1	February 2006	
	R-0	December 2005		S-1	January 2007	
	R-1	February 2006		KM-900MRH3	M-0	April 2002
	S-1	January 2007			M-1	August 2002
	KM-900MWH	L-0			April 2001	N-0
M-0		December 2001	N-1		May 2003	
M-1		December 2001	P-0		December 2003	
M-2		February 2002	Q-0		February 2005	
M-3		April 2002	R-0		December 2005	
M-4		August 2002	R-1	February 2006		
N-0		December 2002	S-1	January 2007		
N-1		March 2003				
P-0		December 2003				
Q-0		December 2004				
R-0		December 2005				
R-1		February 2006				
S-1		January 2007				

Auxiliary Code Breakdown

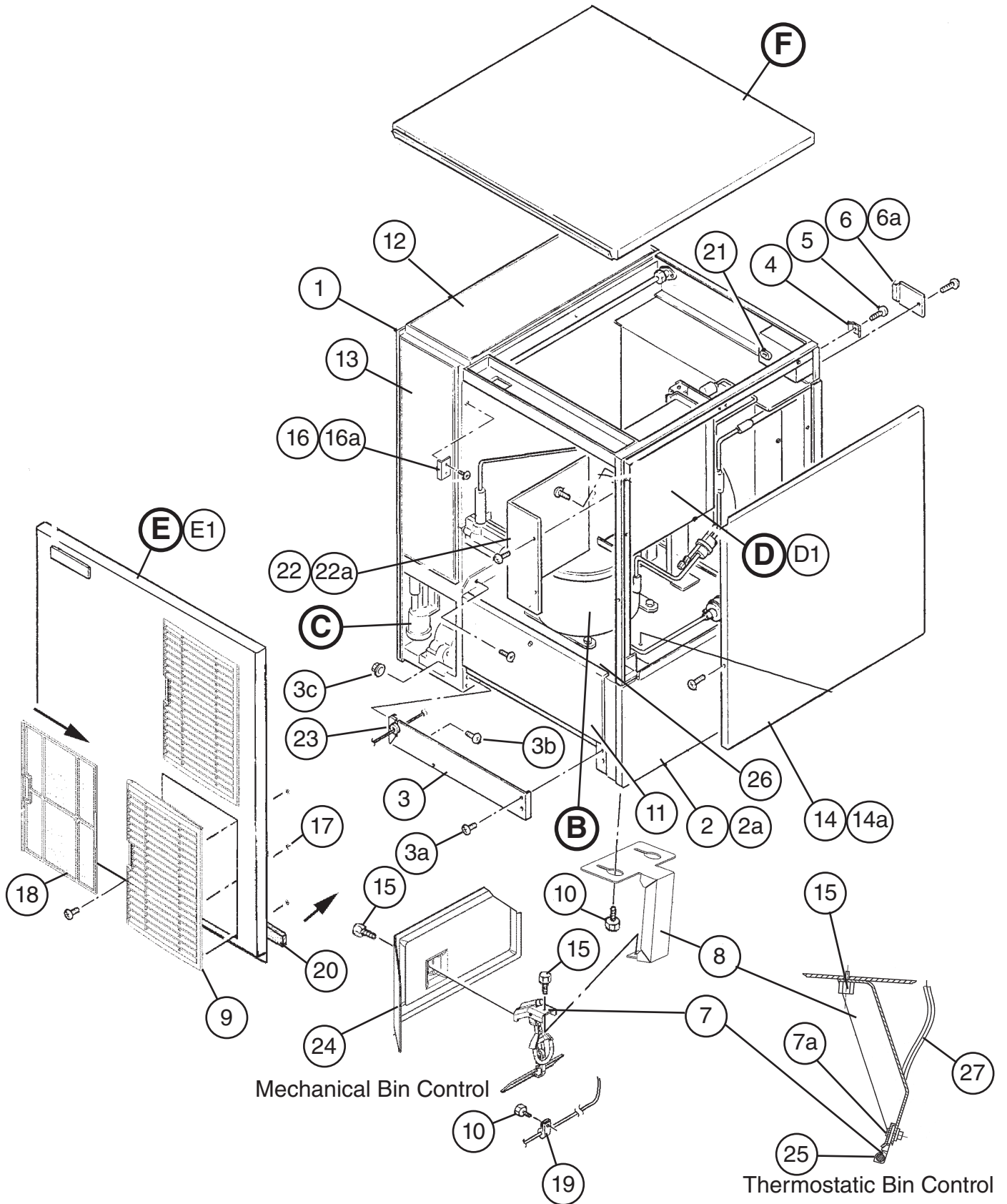
The auxiliary code is the first two characters in the serial number. The first character indicates the year. Years progress or regress in alphabetical order. The series runs from "A" through "V" and the letters "I" and "O" are skipped. The second character indicates significant part changes within a year. Base is "0" and this number advances for each change. In cases where there is a letter in parentheses, this designates the month. This is the last character in the serial number. The series runs from "(A)" through "(M)" and the letter "(I)" is skipped. This designation is only included when identifying a parts change within an auxiliary code.

Note About Ordering Parts

Most assemblies cannot be ordered as complete units; parts in the assemblies generally must be ordered separately.

A. Ice Cuber Assembly KM-900MAH

L-0, L-1, M-0, M-1, M-2, N-0, N-1, P-0, P-1, Q-0, R-0, R-1, S-1

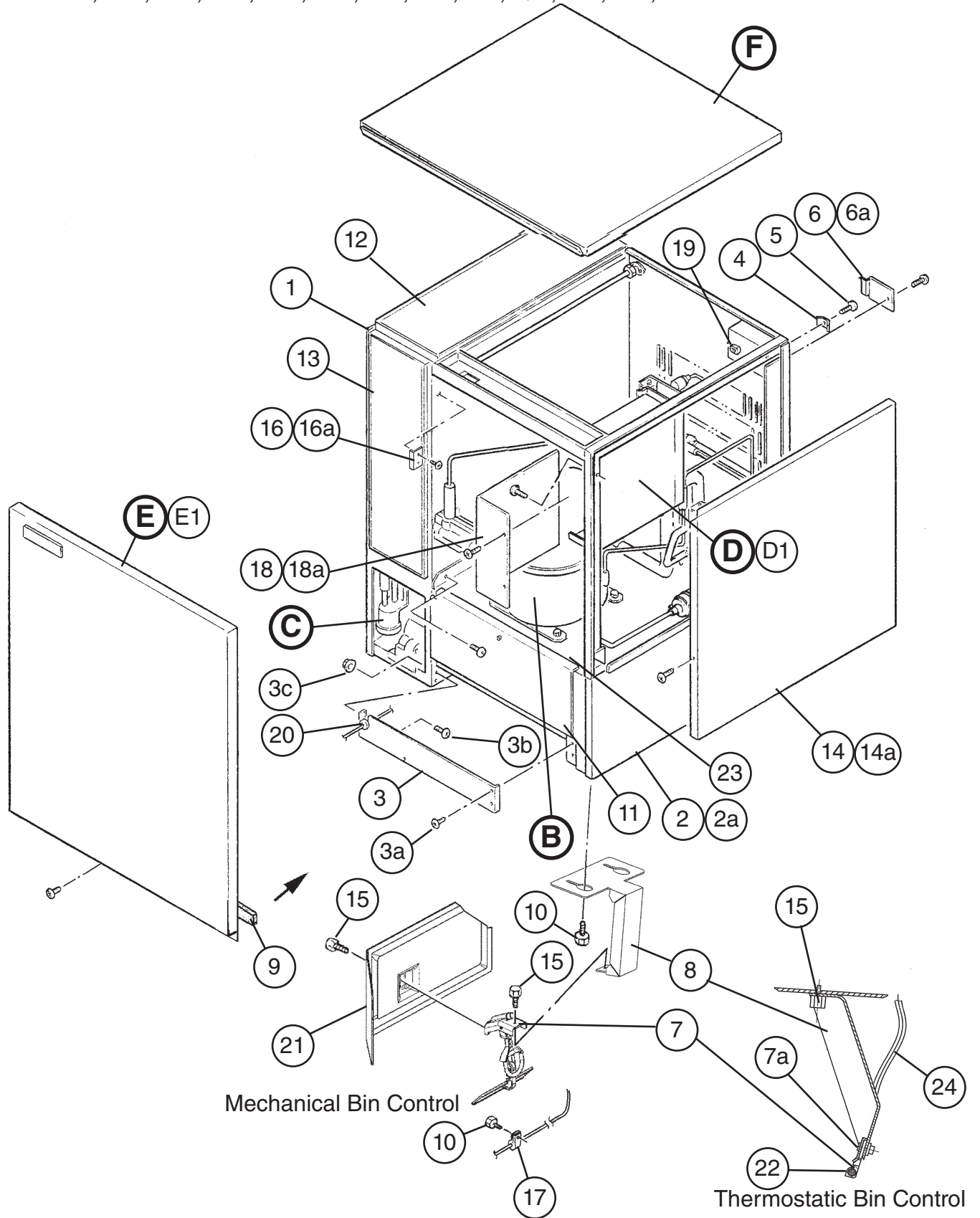


Title: A. Ice Cuber Assembly Model: KM-900MAH												
Index No.	Description	Material or Model Number	Part Number	Required Number								
				L-0 L-1	M-0	M-1	M-2 to R-1	S-1				
B	Refrigeration Circuit		1A0346A01	1	1	-						
			1A0346A02			1	1	1				
C	Water Circuit		1A0283A03	1	1	1	1	1				
D	Control Box Assembly		2A2249A01	1	-							
			2A2286A01		1	1	-					
			2A2554A01				1	1				
D1	T2 Screw	4x8	7P31-0408	3	3	3	3	3				
E	Front Panel Assembly	SS	2A2142G01	1	1	1	1	1				
E1	Truss Head Screw	4x8, SS	7C32-0408	1	1	1	1	1				
F	Top Panel Assembly	SS	3A1862A01	1	1	1	1	1				
1	Evaporator Case		1A0579G02	1	1	1	1	1				
2	Base		1A0651G01	1	1	1	1	1				
2a	FT Screw	4x8	7F31-0408	7	7	7	7	7				
3	Front Frame	SS	322617-01	1	1	1	1	1				
3a	Truss Head Screw	4x8, SS	7C32-0408	2	2	2	2	2				
3b	Truss Head Screw	4x30, SS	7C32-0430	2	2	2	2	2				
3c	Flange Nut	4, SS	7J02-0400	2	2	2	2	2				
4	Square Washer	BRASS	433537-02	1	1	1	1	1				
5	Screw - Grounding	BRASS	433304-02	1	1	1	1	1				
6	Junction Box Cover	GS	433410-01	1	1	1	1	1				
6a	T2 Screw	4x8	7P31-0408	1	1	1	1	1				
7	Bin Switch	-	4A2430-01	1	1	1	-					
	Bulb Holder	PE	328919-01				1	-				
			3A3903-01					1				
7a	T2 Screw	4x16, SS	7P32-0408				2	2				
8	Bracket (M)	-	3A1675-01	1	1	1	-					
	Bulb Holder (C)	ABS	3A0218G01				1	1				
9	Louver (A)	-	1A0547-01	2	2	2	2	2				
10	Thumbscrew	ABS, SS	415949G01	3	3	3	-					
			415949G12				1	1				
11	Base Cover	SS	322618G01	1	1	1	1	-				
	Base Cover (B)		322618G02					1				
12	Top Insulation	PP, PUR	215730G01	1	1	1	1	1				
13	Front Insulation	PP, PUR	215731G02	1	1	1	1	1				
14	Side Panel (R)	SS	2A2117G02	1	1	1	1	1				
14a	T2 Screw	4x8, SS	7P32-0408	1	1	1	1	1				
15	Thumbscrew	ABS, SS	415949G04	2	2	2	-					
		Included in Base, 1A0651G01. ABS, SS	415949G12				2	2				
16	Barrier - Insulation	GS	4A1167-01	1	1	1	1	1				
16a	T2 Screw	4x8	7P31-0408	2	2	2	2	2				
17	Push Retainer	-	4A2414-01	6	6	6	6	6				
18	Air Filter (A)	-	2A2062G01	2	2	2	2	2				
19	Strap	NBR, NW372	435487-01	1	1	1	1	1				
20	Gasket	L=762	4A0808L02	1	1	1	1	1				

Title: A. Ice Cuber Assembly Model: KM-900MAH													
Index No.	Description	Material or Model Number	Part Number	Required Number									
				L-0	L-1	M-0	M-1	M-2 to R-1	S-1				
21	Bushing	SR-34-2	420472-05	1	1	1	1	1					
22	Control Box Cover	GS	3A0174-01	1	1	1	-						
			3A2386-01				1	1					
22a	T2 Screw	4x8	7P31-0408	2	2	2	2	2					
23	Bushing	-	4A2536-01	1	1	1	-						
	Capillary Ring	EP Rubber	425307-01				1	1					
24	Shield	-	3A2167-01	1	1	1	-						
25	Spacer	Polyethylene	443545-01				2	-					
26	Foam Seal	L=480	8208-0005					1					
27	Silicone Hose	L=390	7730I3812					1					

A. Ice Cuber Assembly KM-900MWH

L-0, M-0, M-1, M-2, M-3, M-4, N-0, N-1, P-0, Q-0, R-0, R-1, S-1



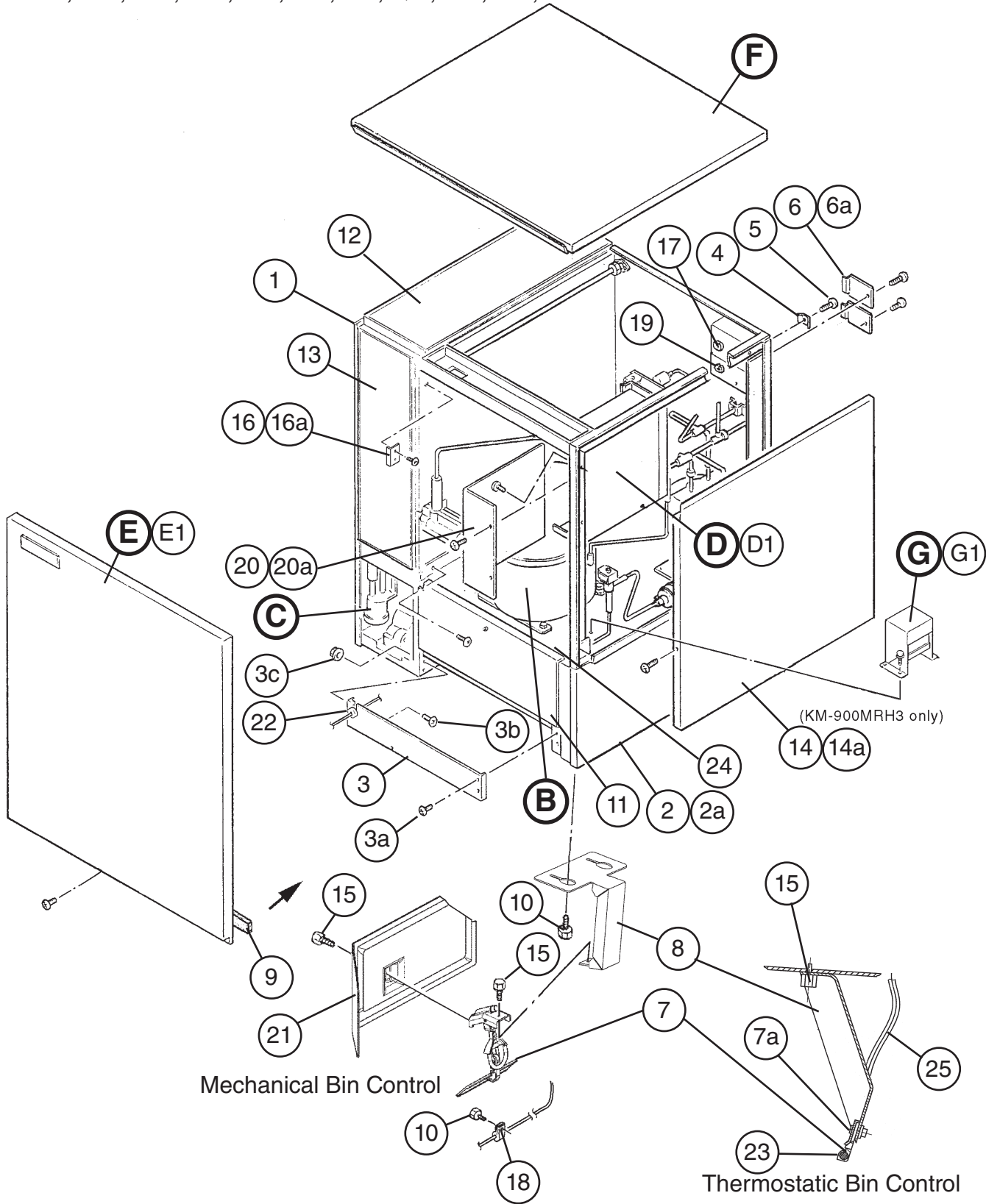
Title: A. Ice Cuber Assembly Model: KM-900MWH													
Index No.	Description	Material or Model Number	Part Number	Required Number									
				L-0	M-0 M-1	M-2	M-3	M-4 to R-1	S-1				
B	Refrigeration Circuit	-	1A0347A01	1	1	-							
			1A0665A02			1	1	1	1				
C	Water Circuit	-	1A0283A03	1	1	1	1	1	1				
D	Control Box Assembly	-	2A2249A02	1	-								
			2A2286A02		1	1	1	-					
			2A2554A02					1	1				
D1	T2 Screw	4x8	7P31-0408	3	3	3	3	3	3				
E	Front Panel Assembly	SS	2A2252G01	1	1	1	1	1	1				
E1	Truss Head Screw	4x8, SS	7C32-0408	1	1	1	1	1	1				
F	Top Panel Assembly	SS	3A1862A01	1	1	1	1	1	1				
1	Evaporator Case	-	1A0579G02	1	1	1	1	1	1				
2	Base	-	1A0651G02	1	1	1	-						
			1A0651G05				1	1	1				
2a	FT Screw	4x8	7F31-0408	7	7	7	7	7	7				
3	Front Frame	SS	322617-01	1	1	1	1	1	1				
3a	Truss Head Screw	4x8, SS	7C32-0408	2	2	2	2	2	2				
3b	Truss Head Screw	4x30, SS	7C32-0430	2	2	2	2	2	2				
3c	Flange Nut	4, SS	7J02-0400	2	2	2	2	2	2				
4	Square Washer	BRASS	433537-02	1	1	1	1	1	1				
5	Screw - Grounding	BRASS	433304-02	1	1	1	1	1	1				
6	Junction Box Cover	GS	433410-01	1	1	1	1	1	1				
6a	T2 Screw	4x8	7P31-0408	1	1	1	1	1	1				
7	Bin Switch	-	4A2430-01	1	1	1	1	-					
	Bulb Holder	PE	328919-01					1	-				
			3A3903-01						1				
7a	T2 Screw	4x16, SS	7P32-0408					2	2				
8	Bracket (M)	-	3A1675-01	1	1	1	1	-					
	Bulb Holder (C)	ABS	3A0218G01					1	1				
9	Gasket	L=762	4A0808L02	1	1	1	1	1	1				
10	Thumbscrew	ABS, SS	415949G01	3	3	3	3	-					
			415949G12					1	1				
11	Base Cover	SS	322618G01	1	1	1	1	1	-				
	Base Cover (B)		322618G02						1				
12	Top Insulation	PP, PUR	215730G01	1	1	1	1	1	1				
13	Front Insulation	PP, PUR	215731G02	1	1	1	1	1	1				
14	Side Panel (R)	SS	2A2117G02	1	1	1	1	1	1				
14a	T2 Screw	4x8, SS	7P32-0408	1	1	1	1	1	1				
15	Thumbscrew	ABS, SS	415949G04	2	2	2	2	-					
		Included in Base, 1A0651G01. ABS, SS	415949G12					2	2				
16	Barrier - Insulation	GS	4A1167-01	1	1	1	1	1	1				
16a	T2 Screw	4x8	7P31-0408	2	2	2	2	2	2				
17	Strap	NBR, NW372	435487-01	1	1	1	1	1	1				

Title: **A. Ice Cuber Assembly** Model: **KM-900MWH**

Index No.	Description	Material or Model Number	Part Number	Required Number									
				L-0	M-0 M-1	M-2	M-3	M-4 to R-1	S-1				
18	Control Box Cover	GS	3A0174-01	1	1	1	1	-					
			3A2386-01					1	1				
18a	T2 Screw	4x8	7P31-0408	2	2	2	2	2	2				
19	Bushing	SR-34-2	420472-05	1	1	1	1	-					
20	Bushing	-	4A2536-01	1	1	1	1	1	1				
	Capillary Ring	EP Rubber	425307-01						1	1			
21	Shield	-	3A2167-01	1	1	1	1	-					
22	Spacer	Polyethylene	443545-01						2	-			
23	Foam Seal	L=480	8208-0005							1			
24	Silicone Hose	L=390	773013812							1			

A. Ice Cuber Assembly
KM-900MRH, KM-900MRH3

L-0, M-0, M-1, M-2, N-0, N-1, P-0, Q-0, R-0, R-1, S-1



Title: A. Ice Cuber Assembly Model: KM-900MRH, KM-900MRH3													
Index No.	Description	Material or Model Number	Part Number	Required Number									
				L-0	M-0	M-1	M-2 to R-1	S-1					
B	Refrigeration Circuit	KM-900MRH	1A0348A01	1	1	-							
			1A0348A03			1	1	1					
		KM-900MRH3	1A0348A04		1	1	1	1	1				
C	Water Circuit	-	1A0283A03	1	1	1	1	1					
D	Control Box Assembly	KM-900MRH	2A2249A02	1	-								
			2A2286A02		1	1	-						
			2A2554A02				1	1					
		KM-900MRH3	2A2250A01		1	-							
		2A2555A01			1	1	1						
D1	T2 Screw	4x8	7P31-0408	3	3	3	3	3					
E	Front Panel Assembly	SS	2A2252G01	1	1	1	1	1					
E1	Truss Head Screw	4x8, SS	7C32-0408	1	1	1	1	1					
F	Top Panel Assembly	SS	3A1862A01	1	1	1	1	1					
H	Transformer Box Assembly	KM-900MRH3	3A1102A01		1	1	1	1					
H1	Hex Head Bolt w/Washer (LF)	5x10	7B0130510		1	1	1	1					
1	Evaporator Case	-	1A0579G02	1	1	1	1	1					
2	Base	KM-900MRH	1A0651G03	1	1	1	1	1					
		KM-900MRH3	1A0651G04		1	1	1	1					
2a	FT Screw	4x8	7F31-0408	7	7	7	7	7					
3	Front Frame	SS	322617-01	1	1	1	1	1					
3a	Truss Head Screw	4x8, SS	7C32-0408	2	2	2	2	2					
3b	Truss Head Screw	4x30, SS	7C32-0430	2	2	2	2	2					
3c	Flange Nut	4, SS	7J02-0400	2	2	2	2	2					
4	Square Washer	BRASS	433537-02	2	2	2	2	2					
5	Screw - Grounding	BRASS	433304-02	2	2	2	2	2					
6	Junction Box Cover	GS	433410-01	2	2	2	2	2					
6a	T2 Screw	4x8	7P31-0408	2	2	2	2	2					
7	Bin Switch	KM-900MRH	4A2430-01	1	1	1	-						
	Bulb Holder	KM-900MRH PE	328919-01				1	-					
			3A3903-01					1					
	Bin Switch	KM-900MRH3	4A2430-01		1	-							
Bulb Holder	KM-900MRH3 PE	328919-01			1	1	-						
		3A3903-01					1						
7a	T2 Screw	KM-900MRH	7P32-0408				2	2					
		KM-900MRH3 4x16, SS				2	2	2					
8	Bracket (M)	KM-900MRH	3A1675-01	1	1	1	-						
	Bulb Holder (C)	KM-900MRH ABS	3A0218G01				1	1					
	Bracket (M)	KM-900MRH3	3A1675-01	1	1	-							
	Bulb Holder (C)	KM-900MRH3 ABS	3A0218G01			1	1	1					
9	Gasket	L=762	4A0808L02	1	1	1	1	1					
10	Thumbscrew	KM-900MRH ABS, SS	415949G01	3	3	3	-						
			415949G12				1	1					
		KM-900MRH3 ABS, SS	415949G01		3	-							
			415949G12			1	1	1					

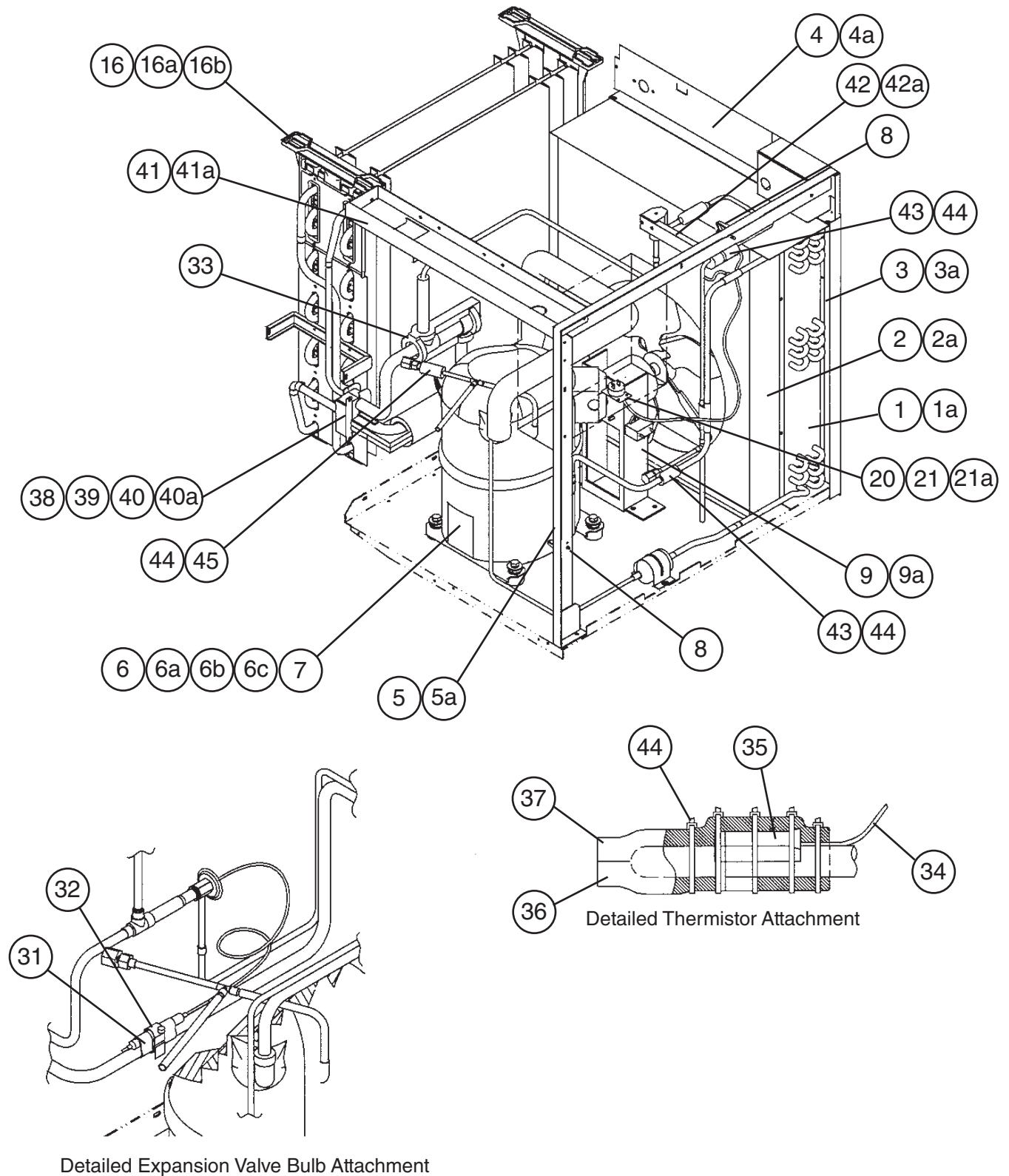
Title: A. Ice Cuber Assembly Model: KM-900MRH, KM-900MRH3												
Index No.	Description	Material or Model Number	Part Number	Required Number								
				L-0	M-0	M-1	M-2 to R-1	S-1				
11	Base Cover	SS	322618G01	1	1	1	1	-				
			322618G02					1				
12	Top Insulation	PP, PUR	215730G01	1	1	1	1	1				
13	Front Insulation	PP, PUR	215731G02	1	1	1	1	1				
14	Side Panel (R)	SS	2A2117G02	1	1	1	1	1				
14a	T2 Screw	4x8, SS	7P32-0408	1	1	1	1	1				
15	Thumbscrew	KM-900MRH	415949G04	2	2	2	-					
		KM-900MRH Included in Base, 1A0651G03. ABS, SS	415949G12				2	2				
		KM-900MRH3	415949G04		2	-						
		KM-900MRH3 Included in Base, 1A0651G04. ABS, SS	415949G12			2	2	2				
16	Barrier - Insulation	GS	4A1167-01	1	1	1	1	1				
16a	T2 Screw	4x8	7P31-0408	2	2	2	2	2				
17	Bushing	SR-34-2	420472-05	1	1	1	1	1				
18	Strap	NBR, NW372	435487-01	1	1	1	1	1				
19	Bushing	SR-30-1	420472-03	1	1	1	1	1				
20	Control Box Cover	KM-900MRH	3A0174-01	1	1	1	-					
		GS	3A2386-01				1	1				
		KM-900MRH3	3A0174-01		1	-						
		GS	3A2386-01			1	1	1				
20a	T2 Screw	4x8	7P31-0408	2	2	2	2	2				
21	Shield	-	3A2167-01	1	1	1	1	1				
22	Bushing	KM-900MRH	4A2536-01	1	1	1	-					
	Capillary Ring	KM-900MRH EP Rubber	425307-01				1	1				
	Bushing	KM-900MRH3	4A2536-01		1	-						
	Capillary Ring	KM-900MRH3 EP Rubber	425307-01			1	1	1				
23	Spacer	KM-900MRH	443545-01				2	-				
		KM-900MRH3 Polyethylene				2	2	-				
24	Foam Seal	L=480	8208-0005					1				
25	Silicone Hose	L=390	773013812					1				

B. Refrigeration Circuit

1/2

KM-900MAH

L-0, L-1, M-0, M-1, M-2, N-0, N-1, P-0, P-1, Q-0, R-0, R-1, S-1

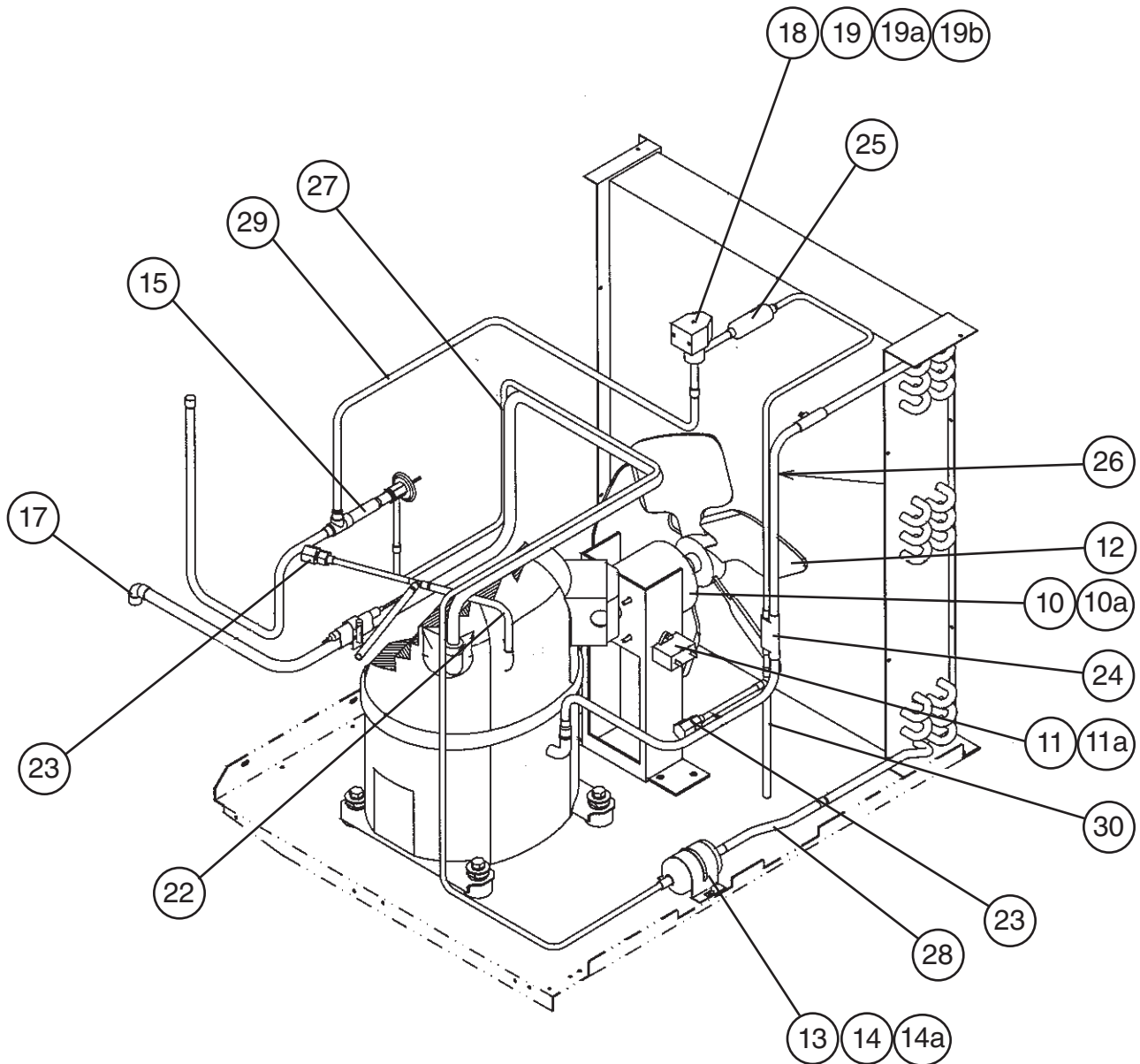


B. Refrigeration Circuit

2/2

KM-900MAH

L-0, L-1, M-0, M-1, M-2, N-0, N-1, P-0, P-1, Q-0, R-0, R-1, S-1



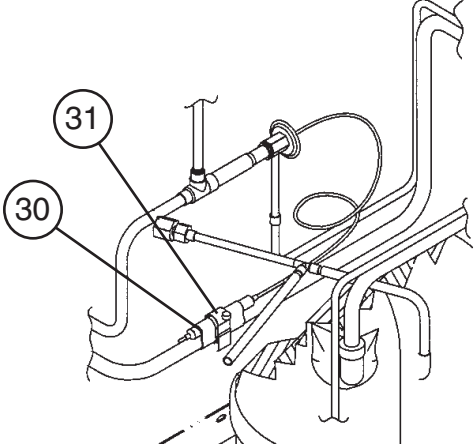
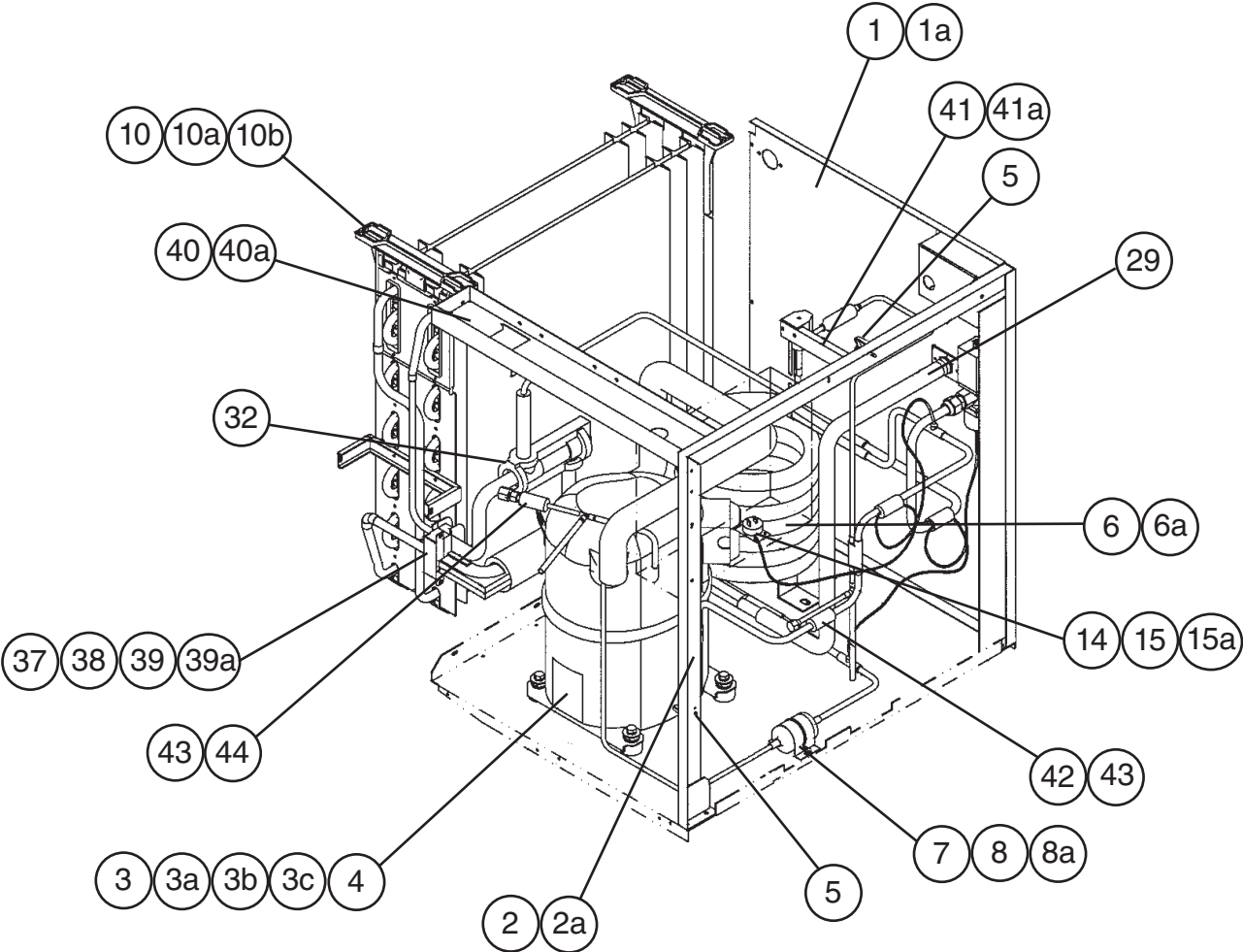
Title: **B. Refrigeration Circuit** Model: **KM-900MAH**

Index No.	Description	Material or Model Number	Part Number	Required Number									
				L-0 to M-0	M-1 to P-0	P-1 to Q-0	R-0 to S-1						
1	Condenser	-	212591-01	1	1	1	1						
1a	T2 Screw	4x8	7P31-0408	3	3	3	3						
2	Shroud	-	212622-01	1	1	1	1						
2a	T2 Screw	4x8	7P31-0408	4	4	4	4						
3	Barrier	-	434937-01	1	1	1	1						
3a	T2 Screw	4x8	7P31-0408	4	4	4	4						
4	Rear Panel	GS	322626G07	1	1	1	1						
4a	T2 Screw	4x8	7P31-0408	4	4	4	4						
5	Side Frame	GS	2A1379G01	1	1	1	1						
5a	T2 Screw	4x8	7P31-0408	4	4	4	4						
6	Compressor	CS14K6E-PFV-237	4A1412-01	1	1	1	1						
6a	Grommet	027-0167-00	434922-01	4	4	4	4						
6b	Spacer	028-0188-02	434921-01	4	4	4	4						
6c	Bolt	8x45	437889-01	4	4	4	4						
7	Terminal Cover	005-0776-00	4A1412F01	1	1	1	1						
8	Clamp	-	4A2338-01	2	2	2	2						
9	Fan Motor Bracket	-	327180-01	1	1	1	1						
9a	Hex Head Bolt w/Washer	5x12	7B0130512	4	4	4	4						
10	Fan Motor	U90 B1 7190 1031	440911-01	1	1	-							
		5KCP84DFK148S	4A3158-01			1	1						
10a	Self Locking Nut	Aug-32	7N2110832	4	4	4	4						
11	Capacitor	250 VAC 5 Mfd	443192-02	1	1	1	1						
11a	T2 Screw	4x10	7P31-0410	1	1	1	1						
12	Fan Blade	20569-17	4A0197-01	1	1	1	1						
13	Drier	CW-0325-S	4A1413-01	1	-								
		C-03E126	4A2666-01		1	1	1						
14	Drier Bracket	GS	4A0807-01	1	-								
	Nylon Tie	PLWP3H-TL	8911-0301		1	1	1						
14a	T2 Screw	4x8	7P31-0408	2	-								
15	Expansion Valve	HFE-15NHD-2	4A1482-01	1	1	1	1						
16	Evaporator	-	106396G01	1	1	1	1						
16a	T2 Screw	4x16 SS	7P32-0416	4	4	4	4						
16b	T2 Screw	4x12 SS	7P32-0412	2	2	2	2						
17	Elbow	-	417395-03	1	1	1	1						
18	Valve Body - Hot Gas	70	440352-01	1	1	1	-						
		-	4A3978-01				1						
19	Coil - Valve	ABS-25-1-HD-2	440353-01	1	1	1	-						
		-	4A3277-01				1						
19a	Bolt	-	440353F01	1	1	1	-						
		-	4A3277F01				1						
19b	Truss Head Screw	4x8, SS	7C32-0408	2	2	2	2						
20	Pressure Switch	ACB-1UB09	433441-07	1	1	1	1						
21	Pressure Switch Bracket	GS	434938-01	1	1	1	1						
21a	T2 Screw	4x8	7P31-0408	1	1	1	1						
22	Copper Tube - Access Valve	COPPER	4A1772G01	1	1	1	1						
23	Access Valve	-	457729-01	2	2	2	2						

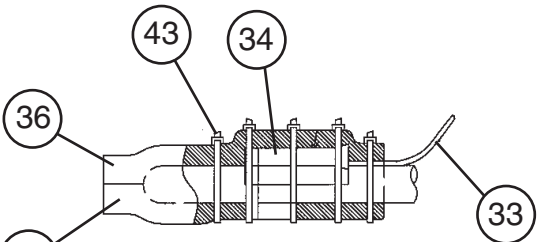
Title: **B. Refrigeration Circuit** Model: **KM-900MAH**

Index No.	Description	Material or Model Number	Part Number	Required Number									
				L-0 to M-0	M-1 to P-0	P-1 to Q-0	R-0 to S-1						
24	Copper Tube (A) High Side	COPPER	2A1348G01	1	1	1	1						
25	Strainer	-	441569-02	1	1	1	1						
26	Copper Tube (B) High Side	COPPER	4A1765G01	1	1	1	1						
27	Heat Exchanger	-	1A0372G01	1	-								
			1A0372G02		1	1	1						
28	Copper Tube (D) - High Side	COPPER	4A1763-01	1	1	1	1						
29	Copper Tube - Low Side	COPPER	2A1380G01	1	1	1	1						
30	Copper Tube (J) - High Side	COPPER	4A2764G01	1	1	1	1						
31	Holder - Expansion Valve	3/8"	3A0107-01	1	1	1	1						
32	Clamp	SS	443461-02	1	1	1	1						
33	Expansion Valve Cover	PE FOAM	3A0944-01	1	1	1	1						
34	Thermistor	-	429006-03	1	1	1	1						
35	Holder - Thermistor	COPPER	427430-01	1	1	1	1						
36	Insulation - Thermistor (A)	PE FOAM	439368-01	1	1	1	1						
37	Insulation - Thermistor (B)	PE FOAM	439368-02	1	1	1	1						
38	Rubber Insulation (A)	-	3A1044-01	1	1	1	1						
39	Rubber Insulation (B)	-	3A1045-01	1	1	1	1						
40	Insulation Holder	-	4A1550-01	1	1	1	1						
40a	T2 Screw	4x8 SS	7P32-0408	2	2	2	2						
41	Top Frame	GS	325938-01	1	1	1	1						
41a	T2 Screw	4x8 SS	7P32-0408	4	4	4	4						
42	Hot Gas Valve Bracket	-	434916-01	1	1	1	1						
42a	T2 Screw	4x8	7P31-0408	2	2	2	2						
43	Insulation Tube	L=40	7762-1020	2	2	2	2						
44	Cable Tie	CV-200	7920-0010	7	7	7	7						
45	Insulation Tube	L=40	7762-1030	1	1	1	1						

B. Refrigeration Circuit
KM-900MWH
1/2
 L-0, M-0, M-1

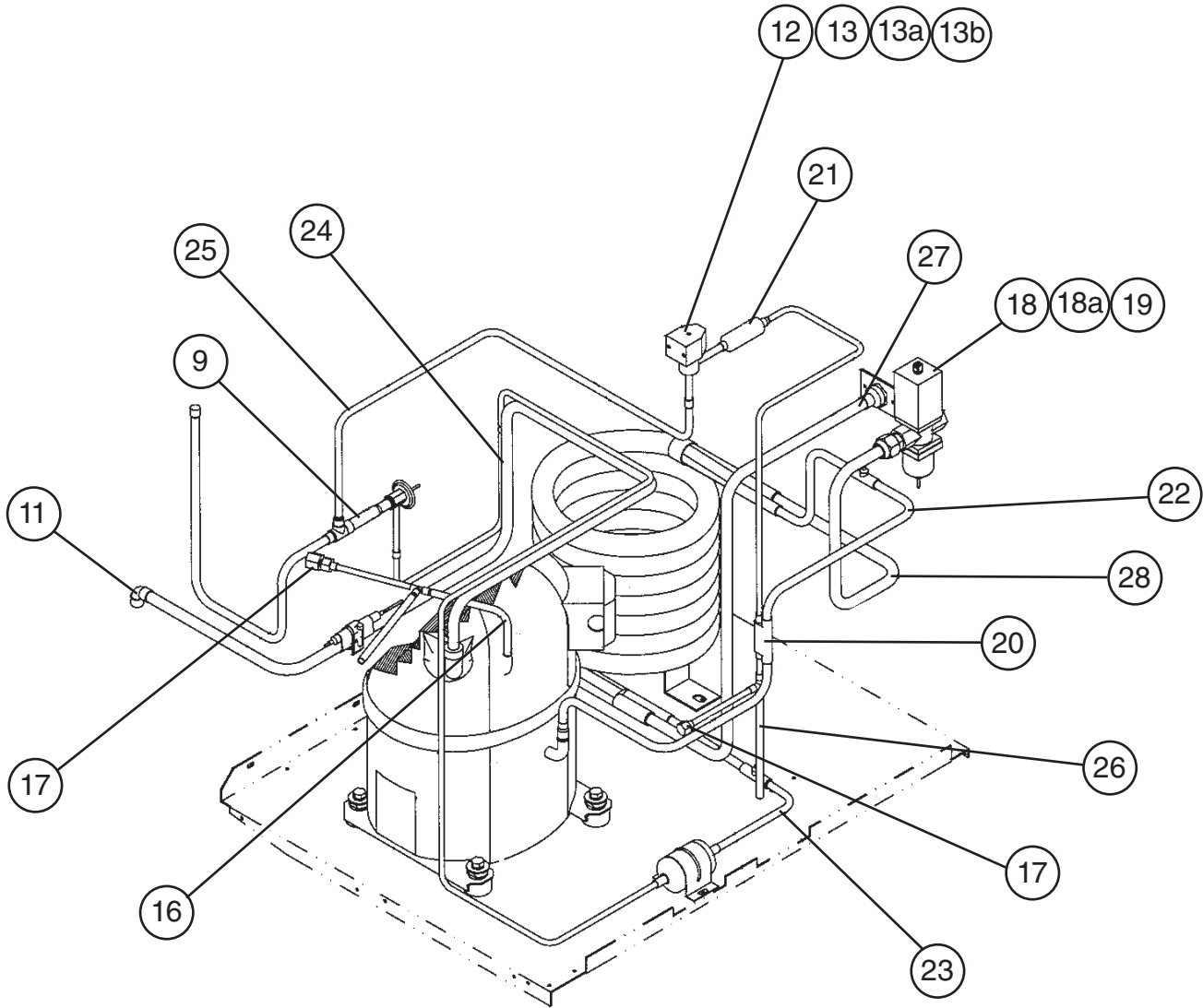


Detailed Expansion Valve Bulb Attachment



Detailed Thermistor Attachment

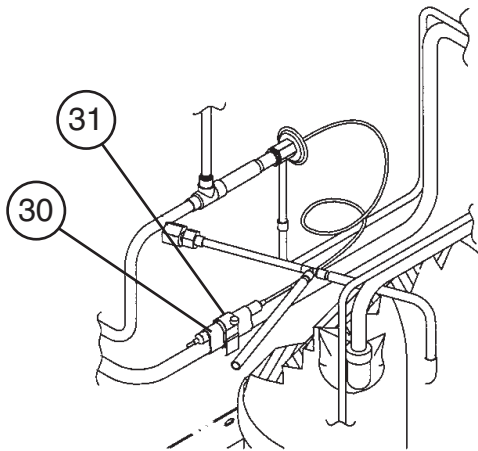
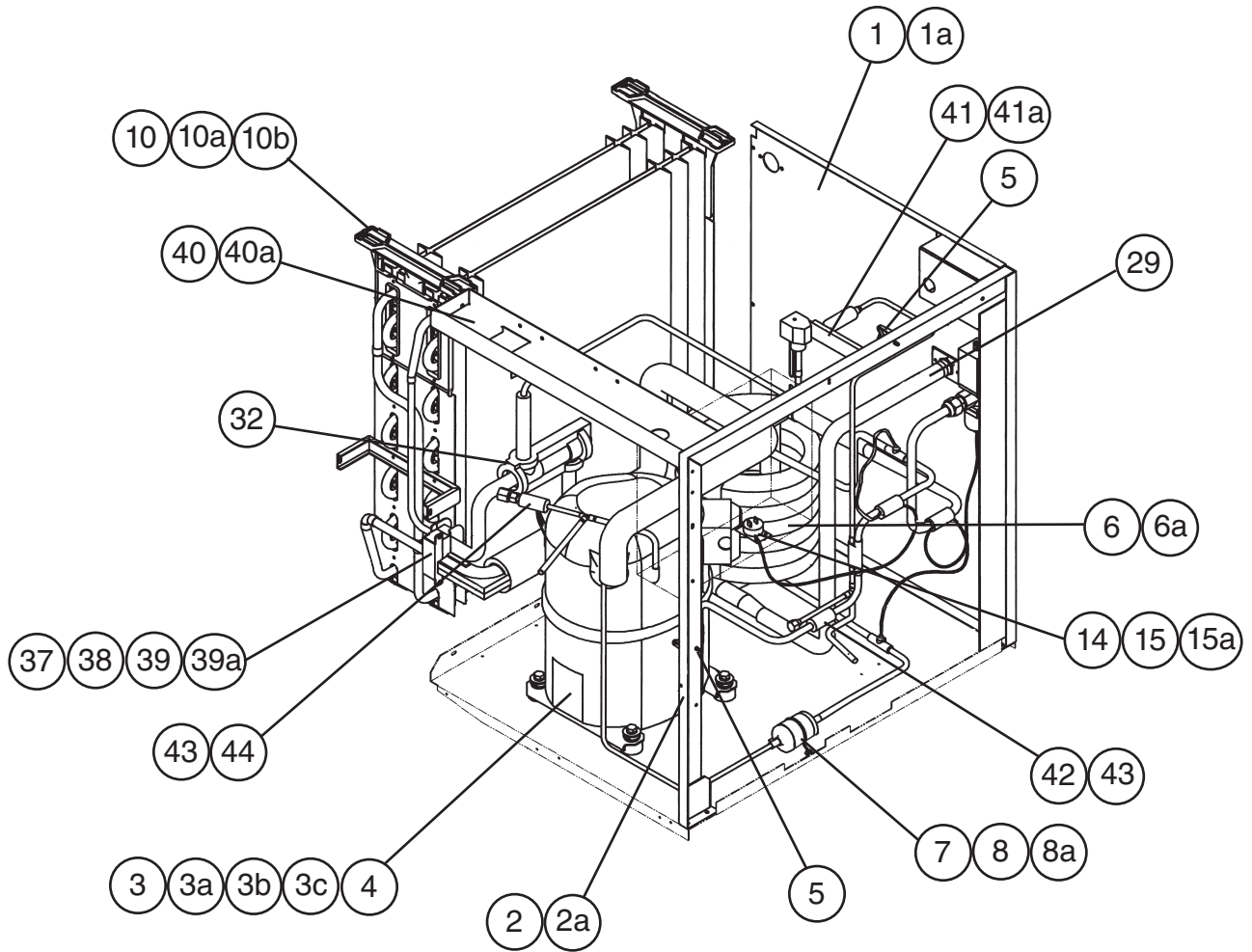
B. Refrigeration Circuit
KM-900MWH
2/2
L-0, M-0, M-1



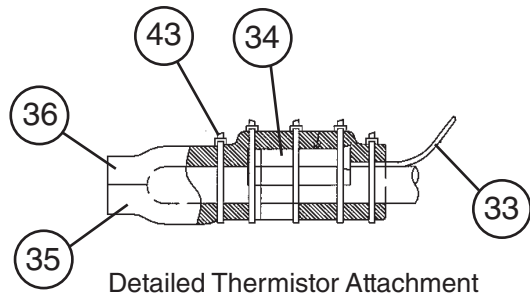
B. Refrigeration Circuit KM-900MWH

1/2

M-2, M-3, M-4, N-0, N-1, P-0, Q-0, R-0, R-1, S-1



Detailed Expansion Valve Bulb Attachment

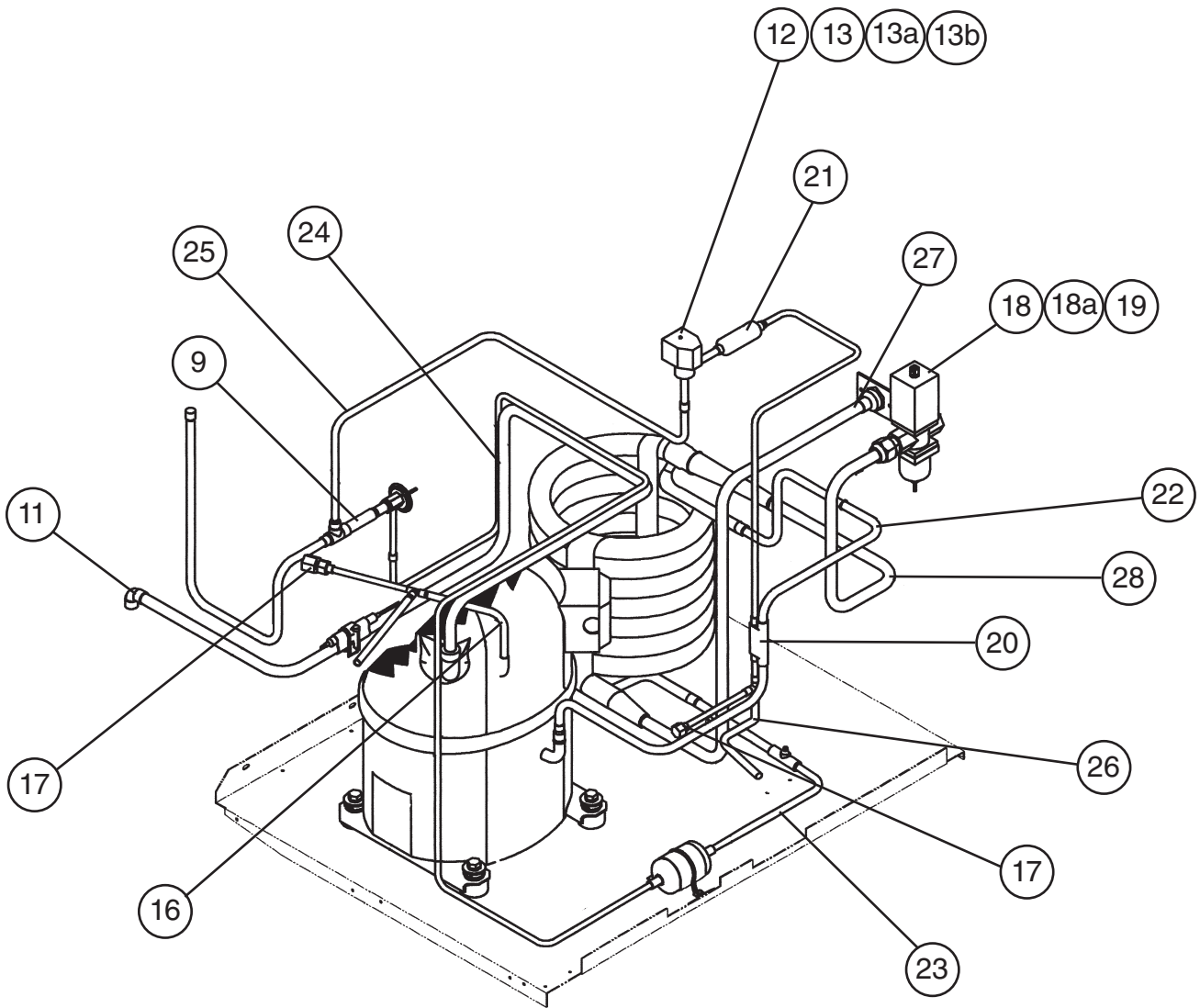


Detailed Thermistor Attachment

B. Refrigeration Circuit
KM-900MWH

2/2

M-2, M-3, M-4, N-0, N-1, P-0, Q-0, R-0, R-1, S-1



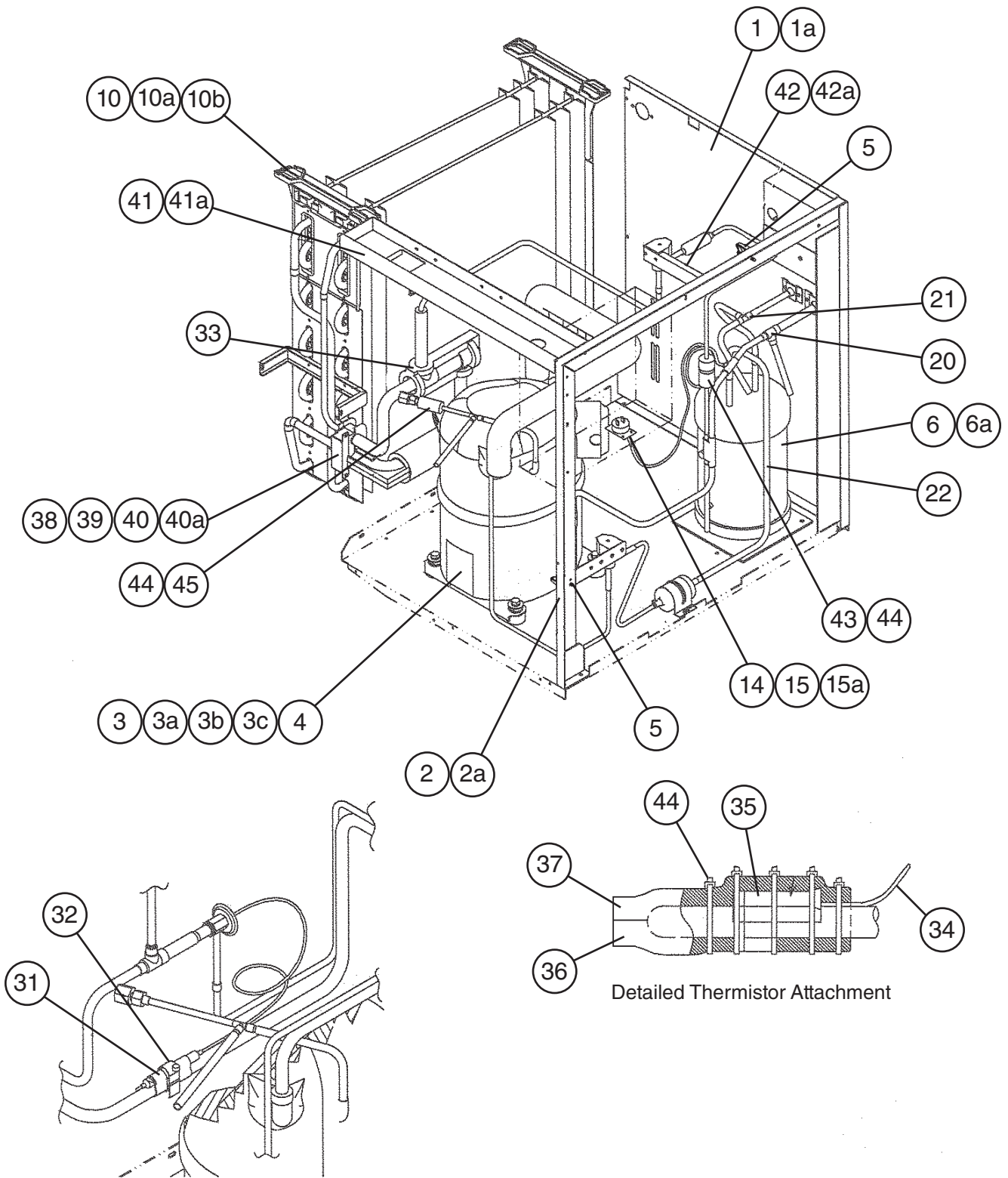
Title: B. Refrigeration Circuit Model: KM-900MWH										
Index No.	Description	Material or Model Number	Part Number	Required Number						
				L-0 to M-1	M-2	M-3 to Q-0	R-0 to S-1			
1	Rear Panel	GS	2A1360G01	1	1	1	1			
1a	T2 Screw	4x8	7P31-0408	4	4	4	4			
2	Side Frame	GS	2A1379G01	1	1	1	1			
2a	T2 Screw	4x8	7P31-0408	4	4	4	4			
3	Compressor	CS14K6E-PFV-237	4A1412-01	1	1	1	1			
3a	Grommet	-	434922-01	4	4	4	4			
3b	Spacer	-	434921-01	4	4	4	4			
3c	Bolt	8x45	437889-01	4	4	4	4			
4	Terminal Cover	-	4A1412F01	1	1	1	1			
5	Clamp	-	4A2338-01	2	2	2	2			
6	Condenser - Water Cooled	-	4A1536-02	1	1	-				
		HS-0162	2A2359G03			1	1			
6a	Hex Head Bolt w/Washer	5x12	7B0130512	3	3	3	3			
7	Drier	CW-0325-S	4A1413-01	1	-					
		C-03E117	4A2666-01		1	1	1			
8	Drier Bracket	-	4A0807-01	1	-					
	Nylon Tie	PLW3PH-TL	8911-0301		1	1	1			
8a	T2 Screw	4x8 SS	7P32-0408	2	-					
9	Expansion Valve	-	4A1482-01	1	1	1	1			
10	Evaporator	-	106396G01	1	1	1	1			
10a	T2 Screw	4x16 SS	7P32-0416	4	1	1	1			
10b	T2 Screw	4x12 SS	7P32-0412	2	2	2	2			
11	Elbow	COPPER	417395-03	1	1	1	1			
12	Valve Body - Hot Gas	70	440352-01	1	1	1	-			
		-	4A3978-01				1			
13	Coil - Valve	ABS-25-1-HD-2	440353-01	1	1	1	-			
		-	4A3277-01				1			
13a	Bolt	-	440353F01	1	1	1	-			
		-	4A3277F01				1			
13b	Truss Head Screw	4x8	7C32-0408	2	2	2	2			
14	Pressure Switch	ACB-2UB04	433441-05	1	1	1	1			
15	Pressure Switch Bracket	GS	434938-01	1	1	1	1			
15a	T2 Screw	4x8	7P32-0408	1	1	1	1			
16	Copper Tube - Access Valve	COPPER	4A1772G01	1	1	1	1			
17	Access Valve	-	457729-01	2	2	2	2			
18	Water Regulator	V46EA	4A0911-03	1	1	-				
		V46DA-5	4A0911-06			1	1			
18a	Truss Head Screw	4x6	7C31-0406	2	2	2	2			
19	Male Connector	-	4A1087-01	1	1	1	1			
20	Copper Tube (A) - High Side	COPPER	2A1348G01	1	1	1	1			
21	Strainer	-	441569-02	1	1	1	1			
22	Copper Tube (B) - High Side	COPPER	3A1194G01	1	1	-				
			3A2182G01			1	1			
23	Copper Tube (C) - High Side	COPPER	3A1195G01	1	1	-				
			3A2179G01			1	1			

Title: B. Refrigeration Circuit Model: KM-900MWH											
Index No.	Description	Material or Model Number	Part Number	Required Number							
				L-0 to M-1	M-2	M-3 to Q-0	R-0 to S-1				
24	Heat Exchanger	-	1A0372G01	1	1	1	1				
25	Copper Tube - Low Side	COPPER	2A1380G01	1	1	1	1				
26	Copper Tube (J) - High Side	COPPER	4A1764G01	1	1	1	1				
27	Copper Tube (A)	COPPER	3A1196G01	1	1	-					
			3A2180G01			1	1				
28	Copper Tube (B)	COPPER	3A1197G01	1	1	-					
			3A2181G01			1	1				
29	Insulation Tube	L=720	7762-1626	1	1	1	1				
30	Holder - Expansion Valve	3/8"	3A0107-01	1	1	1	1				
31	Clamp	-	443461-02	1	1	1	1				
32	Expansion Valve Cover	-	3A0944-01	1	1	1	1				
33	Thermistor	-	429006-03	1	1	1	1				
34	Holder - Thermistor	-	427430-01	1	1	1	1				
35	Insulation - Thermistor (A)	-	439368-01	1	1	1	1				
36	Insulation - Thermistor (B)	-	439368-02	1	1	1	1				
37	Rubber Insulation (A)	-	3A1044-01	1	1	1	1				
38	Rubber Insulation (B)	-	3A1045-01	1	1	1	1				
39	Insulation Holder	-	4A1550-01	1	1	1	1				
39a	T2 Screw	4x8 SS	7P32-0408	2	2	2	2				
40	Top Frame	-	325938-01	1	1	1	1				
40a	T2 Screw	4x8	7P31-0408	4	4	4	4				
41	Hot Gas Valve Bracket	-	434916-01	1	1	1	1				
41a	T2 Screw	4x8	7P31-0408	2	2	2	2				
42	Insulation Tube	L=40	7762-1020	1	1	1	1				
43	Cable Tie	CV-200	7920-0010	7	7	7	7				
44	Insulation Tube	L=40	7762-1030	1	1	1	1				

B. Refrigeration Circuit KM-900MRH, KM-900MRH3

1/2

L-0, M-0, M-1, M-2, N-0, N-1, P-0, Q-0, R-0, R-1, S-1



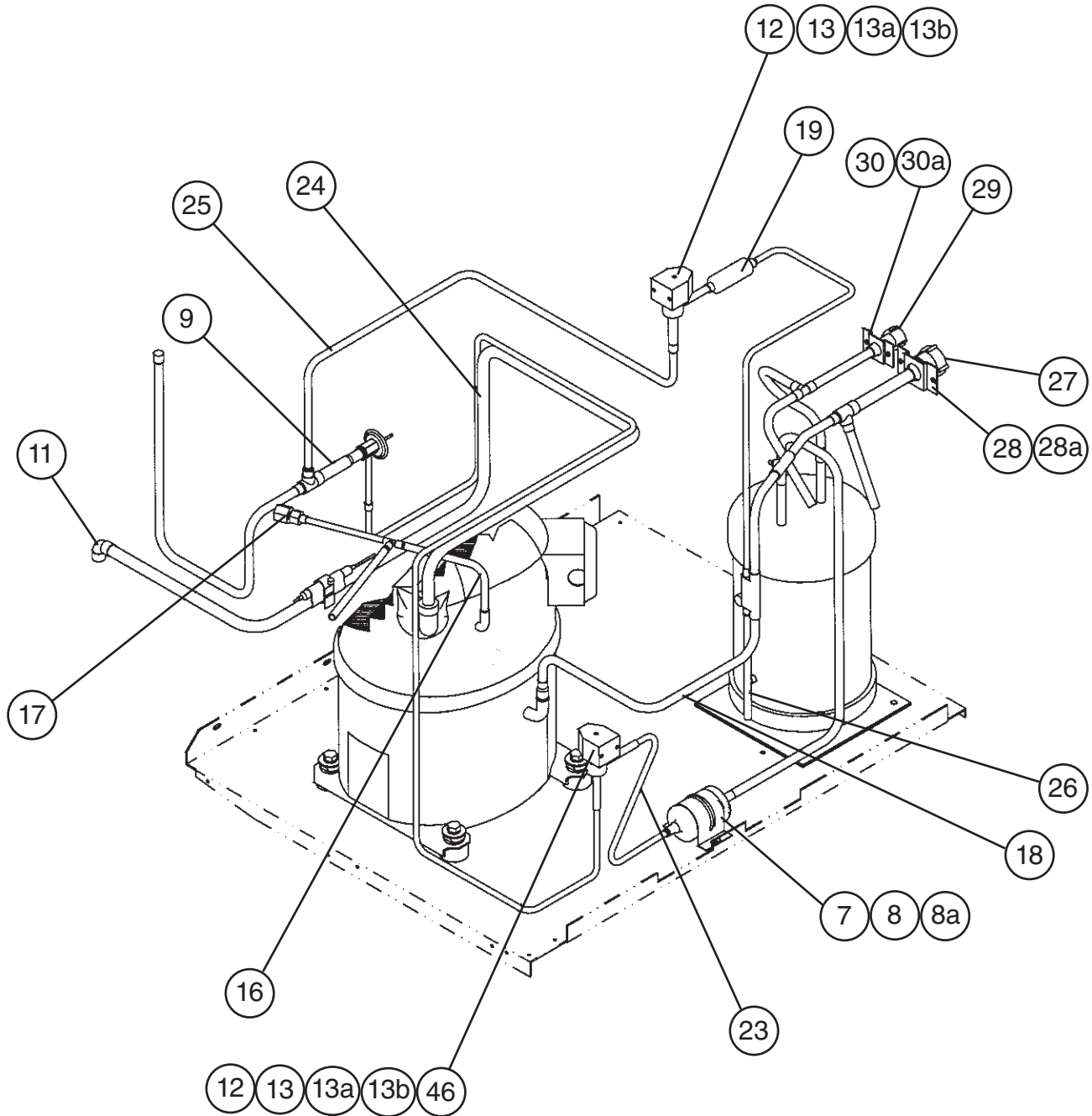
Detailed Expansion Valve Bulb Attachment

Detailed Thermistor Attachment

B. Refrigeration Circuit
KM-900MRH, KM-900MRH3

2/2

L-0, M-0, M-1, M-2, N-0, N-1, P-0, Q-0, R-0, R-1, S-1



Title: B. Refrigeration Circuit Model: KM-900MRH, KM-900MRH3													
Index No.	Description	Material or Model Number	Part Number	Required Number									
				L-0 M-0	M-1	M-2 to Q-0	R-0 to S-1						
1	Rear Panel	GS	212626G08	1	1	1	1						
1a	T2 Screw	4x8	7P31-0408	6	6	6	6						
2	Side Frame	-	2A1379G02	1	1	1	1						
2a	T2 Screw	4x8	7P31-0408	4	4	4	4						
3	Compressor	KM-900MRH CS14K6E- PFV-279	4A1412-02	1	1	1	1						
		KM-900MRH3 CS14K6E- TF5-279	4A1484-02	1	1	1	1						
3a	Grommet	-	434922-01	4	4	4	4						
3b	Spacer	-	434921-01	4	4	4	4						
3c	Bolt	8x45	437889-01	4	4	4	4						
4	Terminal Cover	KM-900MRH	4A1412F01	1	1	1	1						
		KM-900MRH3	4A1484F01	1	1	1	1						
5	Clamp	-	4A2338-01	2	2	2	2						
6	Receiver	-	437652-01	1	1	1	1						
6a	Hex Head Bolt w/Washer	5x10	7B0130510	3	3	3	3						
7	Drier	KM-900MRH	4A1413-01	1	-								
			4A2666-01		1	1	1						
		KM-900MRH3	4A2666-01	1	1	1	1						
8	Drier Bracket	KM-900MRH	4A0807-01	1	-								
	Nylon Tie	PLW3PH-TL	8911-0301		1	1	1						
		KM-900MRH3 PLW3PH-TL	8911-0301	1	1	1	1						
8a	T2 Screw	KM-900MRH 4x8	7P31-0408	2	-								
9	Expansion Valve	HFE-15 NHD- 2	4A1482-01	1	1	1	1						
10	Evaporator	-	106396G01	1	1	1	1						
10a	T2 Screw	4x16, SS	7P32-0416	4	4	4	4						
10b	T2 Screw	4x12, SS	7P32-0412	2	2	2	2						
11	Elbow	-	417395-03	1	1	1	1						
12	Valve Body - Hot Gas & Line	70	440352-01	2	2	2	-						
	Valve Body - Hot Gas	-	4A3978-01				1						
13	Coil - Valve	ABS-25-1- HD-2	440353-01	2	2	2	-						
		-	4A3277-01				2						
13a	Bolt	-	440353F01	2	2	2	-						
			4A3277F01				2						
13b	Truss Head Screw	4x8	7C31-0408	4	4	4	4						
14	Pressure Switch	ACB-1UB09	433441-07	1	1	1	1						
15	Pressure Switch Bracket	-	434938-01	1	1	1	1						
15a	T2 Screw	4x8	7P31-0408	1	1	1	1						
16	Copper Tube - Access Valve	-	4A1772G01	1	1	1	1						
17	Access Valve	-	457729-01	1	1	1	1						
18	Copper Tube (A) - High Side	COPPER	2A1348G01	1	1	1	1						

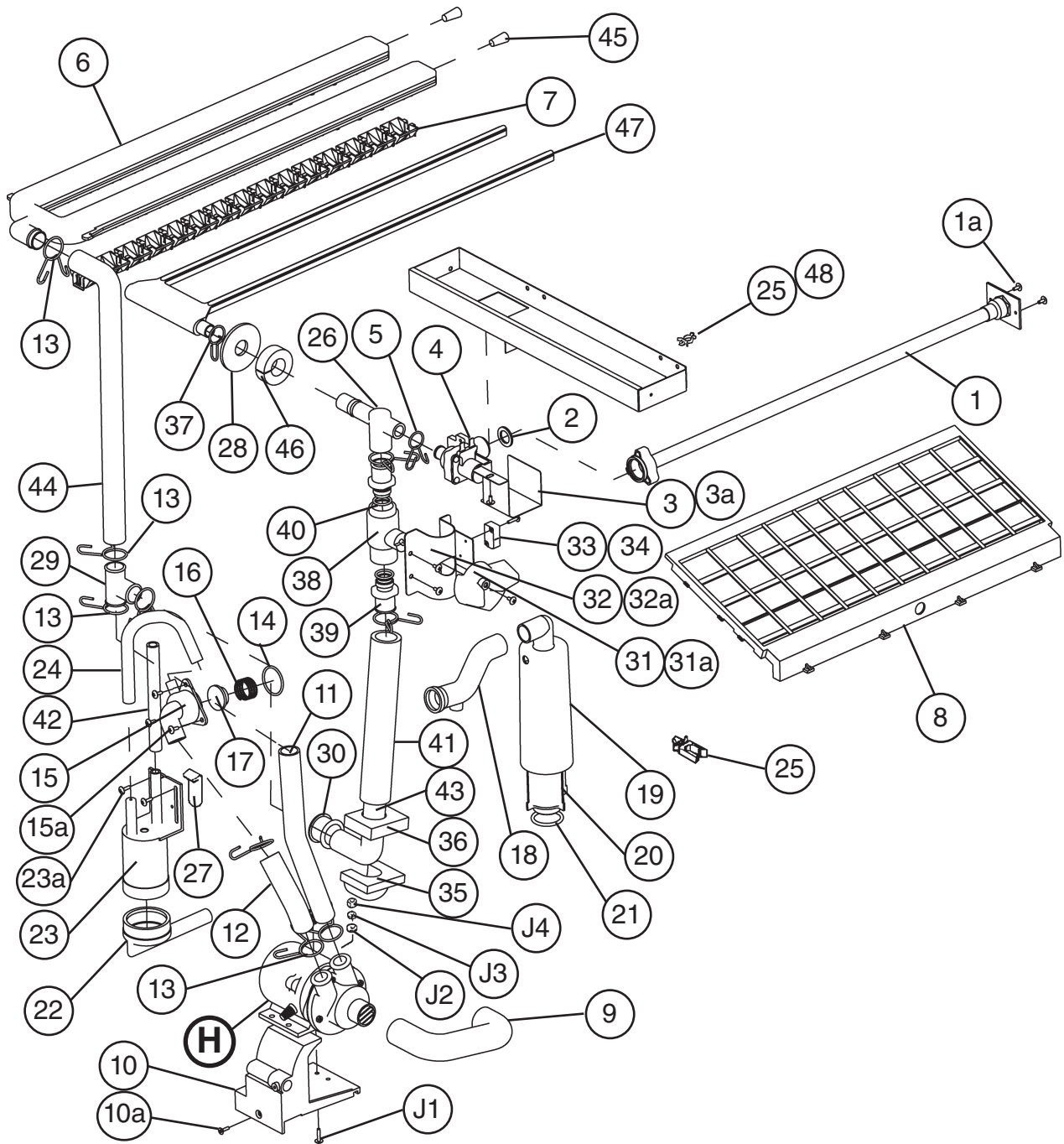
Title: **B. Refrigeration Circuit** Model: **KM-900MRH, KM-900MRH3**

Index No.	Description	Material or Model Number	Part Number	Required Number									
				L-0 M-0	M-1	M-2 to Q-0	R-0 to S-1						
19	Strainer	-	441569-02	1	1	1	1						
20	Copper Tube (B) - High Side	COPPER	3A1192G01	1	1	1	1						
21	Copper Tube (C) - High Side	COPPER	3A1191G01	1	1	1	1						
22	Copper Tube (D) - High Side	KM-900MRH	4A1771-01	1	-								
			4A2752-01		1	1	1						
		KM-900MRH3	4A2752-01	1	1	1	1						
23	Copper Tube (E) - High Side	COPPER	4A1769-01	1	1	1	1						
24	Heat Exchanger	-	1A0373G01	1	1	1	1						
25	Copper Tube - Low Side	COPPER	2A1380G01	1	1	1	1						
26	Evacuation Tube	KM-900MRH	4A1553-01	1	1	-							
			4A2848-02			1	1						
		KM-900MRH3	4A1553-01	1	-								
			4A2848-02		1	1	1						
27	Coupling	-	434136G02	1	1	1	1						
28	Tube Holder - L	-	438245-01	1	1	1	1						
28a	T2 Screw	4x8	7P31-0408	2	2	2	2						
29	Coupling	-	433751G01	1	1	1	1						
30	Tube Holder - S	-	438246-01	1	1	1	1						
30a	T2 Screw	4x8	7P31-0408	2	2	2	2						
31	Holder - Expansion Valve	3/8"	3A0107-01	1	1	1	1						
32	Clamp	-	443461-02	1	1	1	1						
33	Expansion Valve Cover	-	3A0944-01	1	1	1	1						
34	Thermistor	-	429006-03	1	1	1	1						
35	Holder - Thermistor	-	427430-01	1	1	1	1						
36	Insulation - Thermistor (A)	-	439368-01	1	1	1	1						
37	Insulation - Thermistor (B)	-	439368-02	1	1	1	1						
38	Rubber Insulation (A)	-	3A1044-01	1	1	1	1						
39	Rubber Insulation (B)	-	3A1045-01	1	1	1	1						
40	Insulation Holder	-	4A1550-01	1	1	1	1						
40a	T2 Screw	4x8, SS	7P32-0408	2	2	2	2						
41	Top Frame	-	325938-01	1	1	1	1						
41a	T2 Screw	4x8	7P31-0408	4	4	4	4						
42	Hot Gas Valve Bracket	-	434916-01	1	1	1	1						
42a	T2 Screw	4x8	7P31-0408	2	2	2	2						
43	Insulation Tube	L=40	7762-1020	1	1	1	1						
44	Cable Tie	CV-200	7920-0010	7	7	7	7						
45	Insulation Tube	L=40	7762-1030	1	1	1	1						
46	Valve Body - Line	-	4A3276-01				1						

C. Water Circuit

KM-900MAH, KM-900MWH, KM-900MRH, KM-900MRH3

L-0, L-1, M-0, M-1, M-2, M-3, M-4, N-0, N-1, P-0, P-1, Q-0, R-0, R-1, S-1



Title: C. Water Circuit Model: KM-900MAH, KM-900MWH, KM-900MRH, KM-900MRH3												
Index No.	Description	Material or Model Number	Part Number	Required Number								
				L-0 L-1	M-0 to N-1	P-0 P-1	Q-0 to R-1	S-1				
H	Pump Motor Assembly	S-0613	321444A01	1	1	1	-					
		HS-0176	3A2638A03				1	1				
H1	Truss Head Screw	4x16, SS	7C32-0416	1	1	1	1	1				
H2	Flat Washer	M4, SS	7W22-0400	1	1	1	1	1				
H3	Split Lock Washer	M4, SS	7L22-0400	1	1	1	1	1				
H4	Hex Nut	M4, SS	7N12-0400	1	1	1	1	1				
1	Water Supply Pipe	-	4A0768G04	1	1	1	1	1				
1a	T2 Screw	4x8	7P31-0408	2	2	2	2	2				
2	Rubber Gasket	NR	413854-03	1	1	1	1	1				
3	Water Valve Bracket	GS	321443-01	1	1	1	1	1				
3a	T2 Screw	4x8	7P31-0408	1	1	1	1	1				
4	Water Valve	J248-032	3U0111-02	1	1	1	1	1				
5	Hose Clamp	SS, 18mm	427443-05	1	1	1	1	1				
6	Spray Tube	-	1A0260-02	1	1	1	1	1				
7	Spray Guide (A)	PE	208586-01	6	6	6	6	6				
8	Cube Guide	ABS	212088-01	1	1	1	1	1				
9	Suction Hose	EPDM	433466-01	1	1	1	1	1				
10	Pump Motor Bracket	PC	211408-01	1	1	1	1	1				
10a	Flat Head Screw	4x12, SS	7C22-0412	1	1	1	1	1				
11	Vinyl Hose	L=250	7716-2025	1	1	1	1	1				
12	Vinyl Hose	L=110	7716-2025	1	1	1	1	1				
13	Hose Clamp	SS, 25mm	427443-03	9	9	9	9	9				
14	"O" Ring	1AG35	7611-G035	1	1	1	1	1				
15	Valve Housing - Drain	ABS	321001-01	1	1	1	1	1				
15a	T2 Screw	4x10, SS	7P32-0410	3	3	3	3	3				
16	Spring	SS	322110-01	1	1	1	1	1				
17	Valve Seat	EPDM	433705-01	1	1	1	1	1				
18	Drain Hose	SANTOPRENE	433468-01	1	1	1	1	1				
19	Overflow Cap	PE	321002-01	1	1	1	1	1				
20	Overflow Pipe	ABS	430722-01	1	1	1	1	1				
21	"O" Ring	EPDM	4A1234-01	1	1	1	1	1				
22	Connector - Float Switch	EPDM	426799-01	1	1	1	1	1				
23	Float Switch	163795	4A0886-01	1	1	1	1	-				
		213095	4A3624-01					1				
23a	T2 Screw	4x12, SS	7P32-0412	2	2	2	2	2				
24	Silicone Hose	L=140	7730I3896	1	1	1	1	1				
25	Wire Saddle	VWS4238-C	4A0338-02	4	4	6	6	6				
26	Tee	SANTOPRENE	4A0177-01	1	1	1	1	1				
27	Float Switch Stop	SS	4A0137-01	1	1	-						
28	Flange	Santoprene	439267-01	1	1	1	1	1				
29	Distributor	ABS	432426-01	1	1	1	1	1				
30	Rubber Ring	EPDM	439236-01	1	1	1	1	1				
31	Handle	JH1352	215383-01	1	1	1	1	1				
31a	T2 Screw	4x8	7P31-0408	1	1	1	1	1				

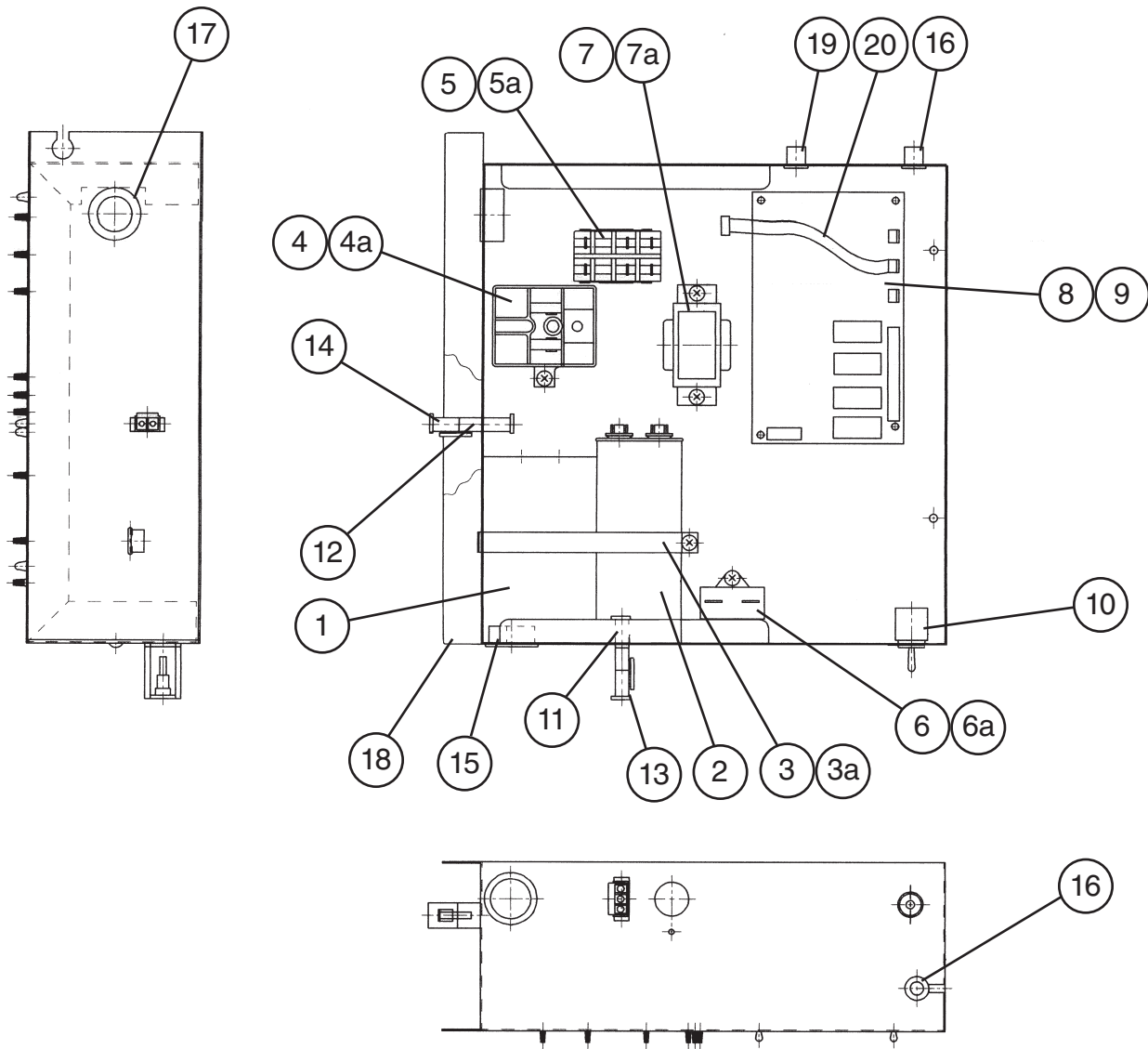
Title: **C. Water Circuit** Model: **KM-900MAH, KM-900MWH, KM-900MRH, KM-900MRH3**

Index No.	Description	Material or Model Number	Part Number	Required Number																
				L-0 L-1	M-0 to N-1	P-0 P-1	Q-0 to R-1	S-1												
32	Valve Holder	GS	3A1178-01	1	1	1	1	1												
32a	FT Screw	4x8	7F31-0408	3	3	3	3	3												
33	Microswitch	V3L-111-D8	4A0365-01	1	-															
		V7-1C17D8-207	4A2546-01		1	1	1	1												
34	Tapping Screw	3x14	431415-02	1	1	1	1	1												
35	Corner Insulation (A)	PE FOAM	439376-01	1	1	1	1	1												
36	Corner Insulation (B)	PE FOAM	439392-01	1	1	1	1	1												
37	Hose Clamp	SS, 20mm	427443-06	1	1	1	1	1												
38	Ball Valve (Included in S-0761)	PVC	439293-01	1	1	1	1	1												
39	Male Adaptor (Included in S-0761)	ABS	325826-01	2	2	2	2	2												
40	"O" Ring (Included in S-0761)	1AP18	7611-P018	2	2	2	2	2												
41	Insulation Tube	L=370	7762-2636	1	1	1	1	1												
42	Silicone Hose	L=140	7730I3812	1	1	1	1	1												
43	Rubber Hose (B)	EPDM	4A1551-02	1	1	1	1	1												
44	Rubber Hose (A)	EPDM	4A1551-01	1	1	1	1	1												
45	Plug	EPDM	4A0176-01	2	2	2	2	2												
46	Insulation (E)	PE FOAM	4A0392-01	1	1	1	1	1												
47	Water Supply Tube	PE	2A0079-01	1	1	1	1	1												
48	Clamp	No. 248	427902-04	2	2	-														
49	Wire Saddle	VWS4274-C	4A0338-03	2	2	2	2	2												

D. Control Box Assembly

KM-900MAH, KM-900MWH, KM-900MRH

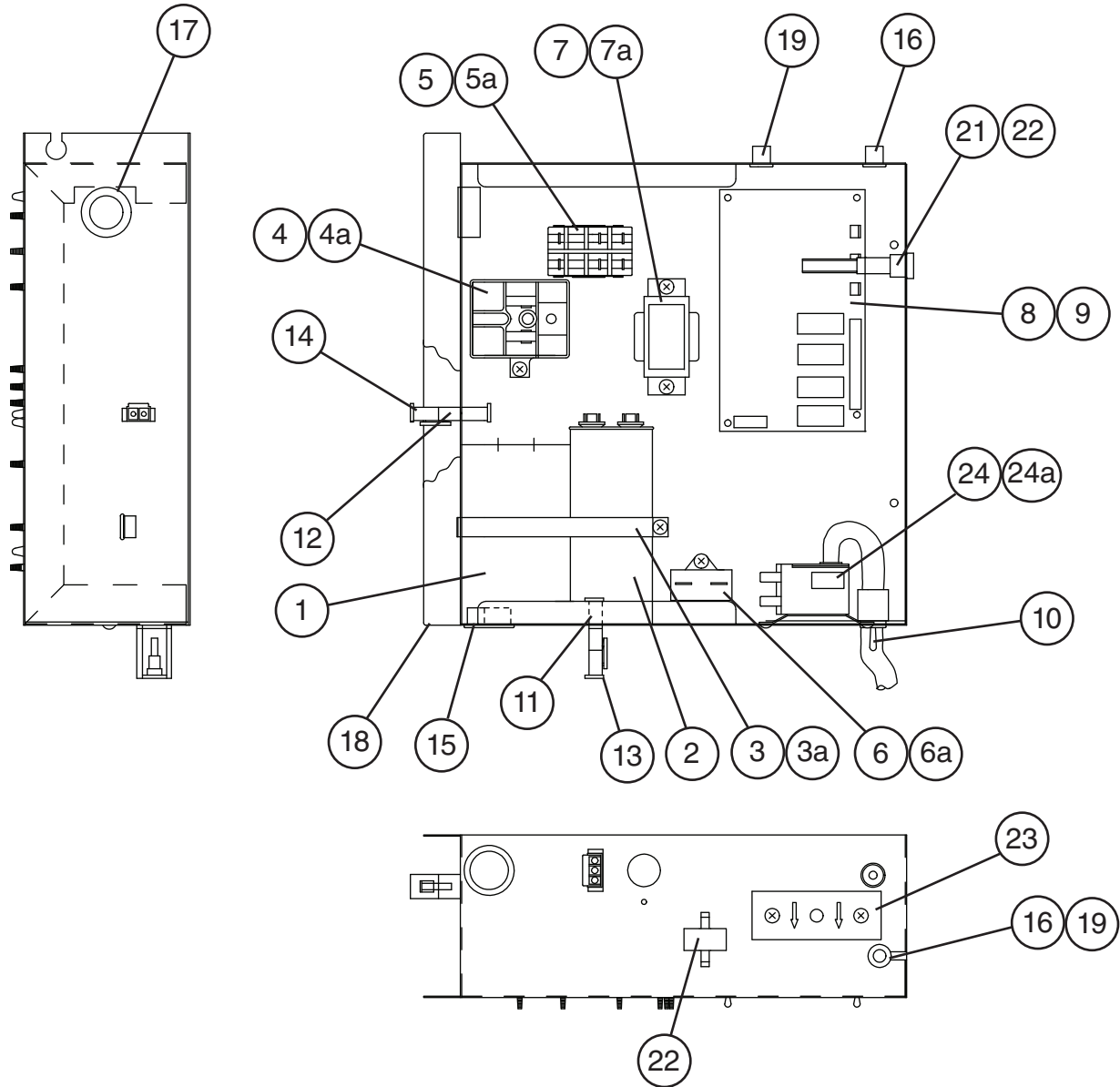
L-0, L-1, M-0, M-1, M-2 (KM-900MWH), M-3 (KM-900MWH)



D. Control Box Assembly

KM-900MAH, KM-900MWH, KM-900MRH

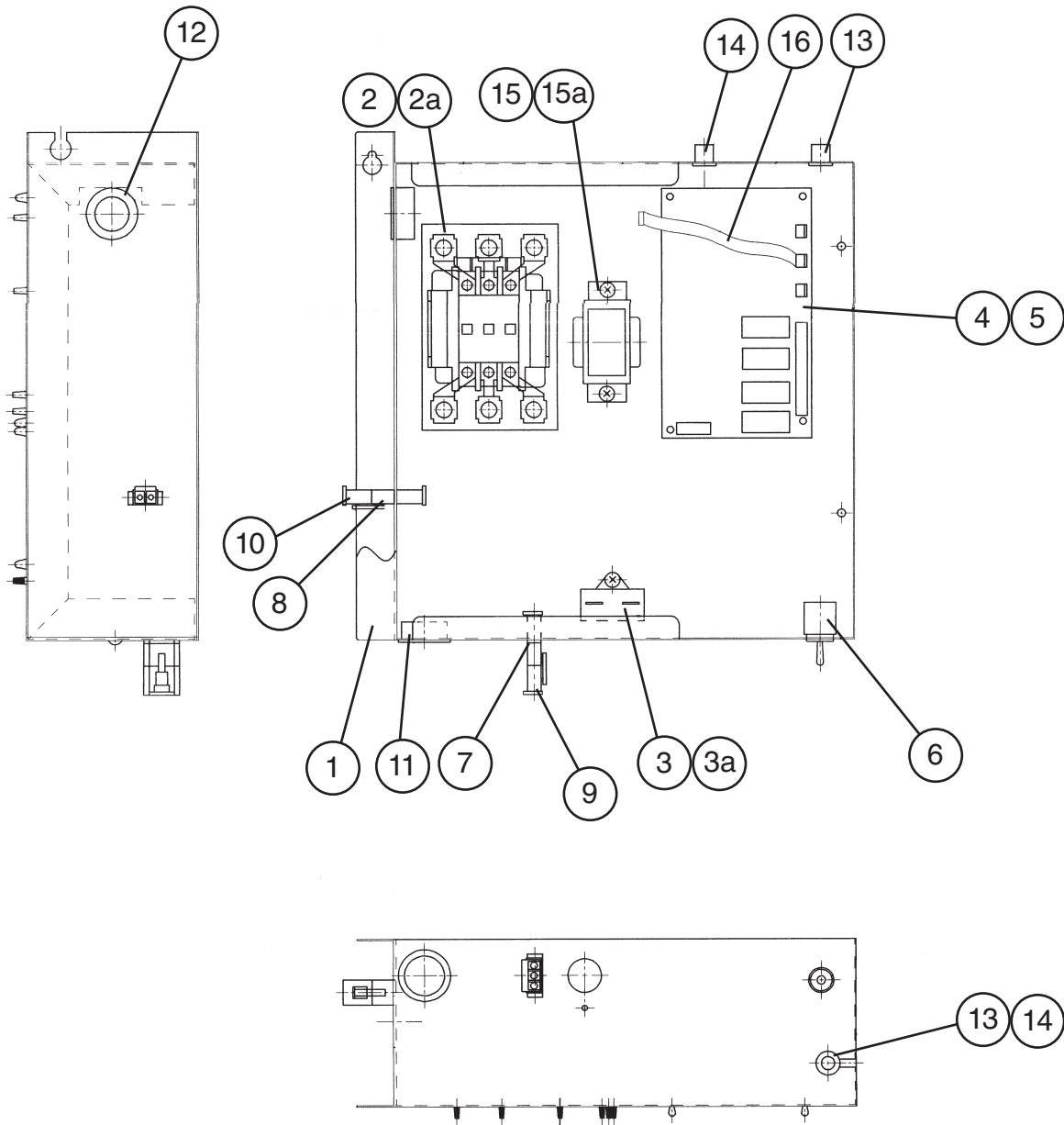
M-2 (KM-900MAH, KM-900MRH), M-4, N-0, N-1, P-0, P-1, Q-0, R-0, R-1, S-1



Title: D. Control Box Assembly Model: KM-900MAH, KM-900MWH, KM-900MRH												
Index No.	Description	Material or Model Number	Part Number	Required Number								
				L-0 L-1	M-0 M-1	M-2 M-3	M-4 to R-1	S-1				
1	Capacitor - Starting	3535B8A0145A250A5	3A0076-01	1	1	1	1	1				
2	Capacitor - Run	35MFD 370V	439943-01	1	-							
			3A2005-05		1	1	1	1				
3	Strap	GS	434580-04	1	-							
			4A2262-04		1	1	1	1				
3a	T2 Screw	4x8	7P31-0408	1	1	1	1	1				
4	Starter	KM-900MAH KM-900MWH KM-900MRH	4A1107-09	1	1	1	1	1				
4a	T2 Screw	4x8	7P31-0408	1	1	1	1	1				
5	Magnetic Contactor	VC20	428393-01	1	1	1	1	1				
5a	T2 Screw	4x8	7P31-0408	1	1	1	1	1				
6	Capacitor - Pump	5.5MFD 250V	443192-03	1	1	1	1	1				
6a	T2 Screw	4x10	7P31-0410	1	1	1	1	1				
7	Transformer	26D285H	3A0172-01	1	1	1	1	1				
7a	T2 Screw	4x8	7P31-0408	1	1	1	1	1				
8	Control Board	HOSHIZAKI-001A	2A1410-01	1	1	1	1	1				
9	Board Support	OBL37-M	4A0336-03	4	4	4	4	4				
10	Toggle Switch	8966K84	443119-01	1	1	1	1	1				
11	3P Plug Housing	3191-03P	412832-06	1	1	1	1	1				
12	2P Plug Housing	(MAH Only) 3191-02P	412832-07	1	1	1	1	1				
13	3P Receptacle Housing	3191-03R1	412831-06	1	1	1	1	1				
14	2P Receptacle Housing	(MAH Only) 3191-02R1	412831-07	1	1	1	1	1				
15	Bushing	SB-1093-15	420470-03	1	1	1	1	1				
16	Bushing	OCB-500	428394-02	2	2	2	2	1				
17	Bushing	SB-1093-13	420470-12	1	1	1	1	1				
18	Control Box	KM-900MAH KM-900MRH	2A1082G02	1	1	-						
			2A2524G01			1	1	-				
			2A2524G02						1			
		KM-900MWH	2A1082G02	1	1	1	-					
			2A2524G01					1	-			
			2A2524G02							1		
19	Bushing	OCB-875	428394-04	1	1	1	1	2				
20	Resistor Wire Harness	KM-900MAH KM-900MRH	4A2200G01	1	1	-						
		KM-900MWH		1	1	1	-					
21	Fuse Holder	KM-900MAH KM-900MRH	4A0892-01			1	1	-				
			4A3449-01					1				
		KM-900MWH	4A0892-01				1	-				
			4A3449-01						1			
22	Fuse	KM-900MAH KM-900MRH	4A0893-07			2	2	2				
		KM-900MWH AGC-10					2	2				

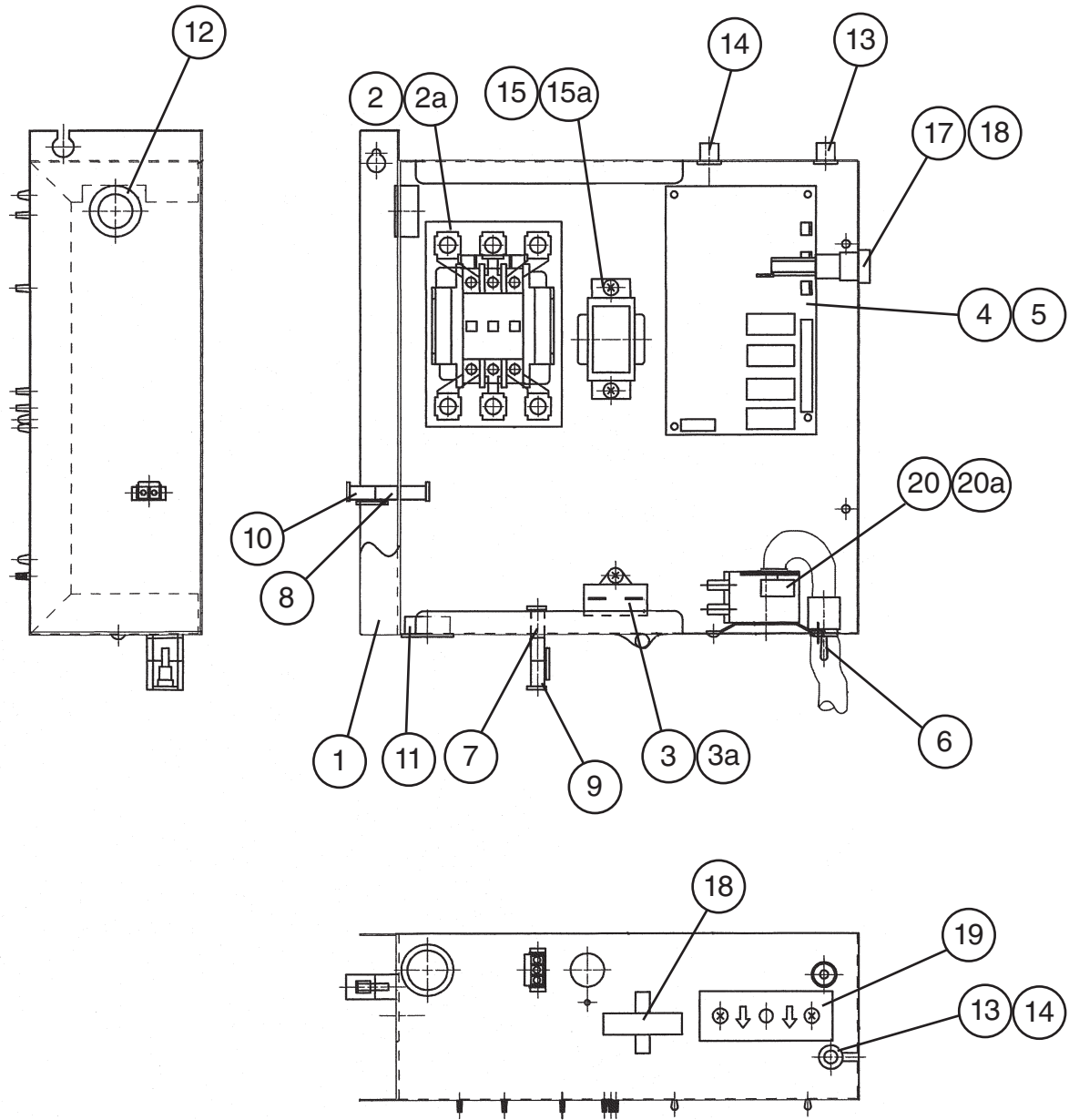
Title: D. Control Box Assembly Model: KM-900MAH, KM-900MWH, KM-900MRH												
Index No.	Description	Material or Model Number	Part Number	Required Number								
				L-0 L-1	M-0 M-1	M-2 M-3	M-4 to R-1	S-1				
23	Control Label	KM-900MAH	4A1758-01			1	1	1				
		KM-900MRH										
		KM-900MWH					1	1				
24	Thermostat	KM-900MAH	4A2879-02			1	1	1				
		KM-900MRH										
		KM-900MWH					1	1				
24a	Truss Head Screw	KM-900MAH	7C31-0406			2	2	2				
		KM-900MRH										
		KM-900MWH 4x6					2	2				

D. Control Box Assembly
KM-900MRH3
M-0



D. Control Box Assembly KM-900MRH3

M-1, N-0, N-1, P-0, Q-0, R-0, R-1, S-1

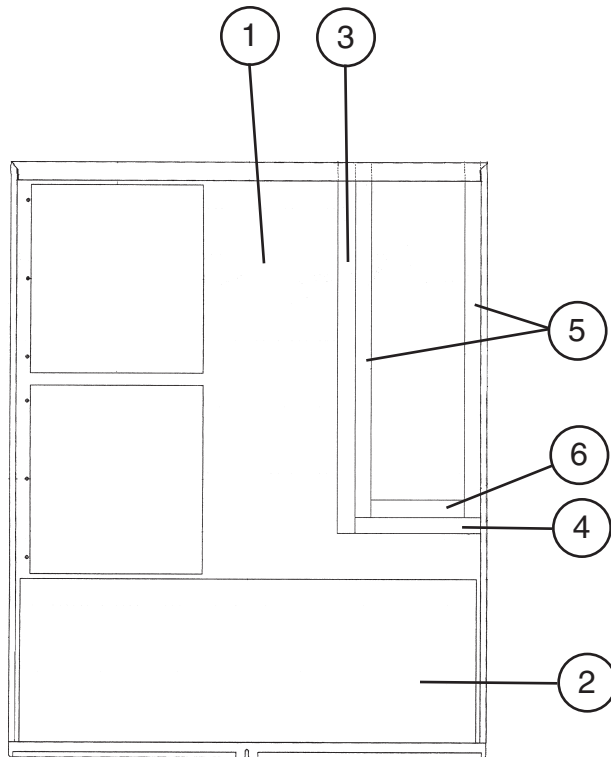


Title: D. Control Box Assembly Model: KM-900MRH3											
Index No.	Description	Material or Model Number	Part Number	Required Number							
				M-0	M-1 to R-1	S-1					
1	Control Box	GS	2A1082G02	1	-						
			2A2524G01		1	-					
			2A2524G02			1					
2	Magnetic Contactor	A77-30904A-226	4A0794-01	1	1	1					
2a	Truss Head Screw	4x12	7C31-0412	2	2	2					
3	Capacitor	250V 5.5 MFD	443192-03	1	1	1					
3a	T2 Screw	4x8	7P31-0408	2	2	2					
4	Control Board	HOSHIZAKI-001A	2A1410-01	1	1	1					
5	Board Support	CBLS37-M	4A0336-03	4	4	4					
6	Toggle Switch	8966K84	443119-01	1	1	1					
7	3p Plug Housing	3191-03P	412832-06	1	1	1					
8	2p Plug Housing	3191-02P	412832-07	1	1	1					
9	3p Receptacle Housing	3191-03R1	412831-06	1	1	1					
10	2p Receptacle Housing	3191-02R1	412831-07	1	1	1					
11	Bushing	SB-1093-15	420470-03	1	1	1					
12	Bushing	SB-1093-13	420470-12	1	1	1					
13	Bushing	OCB-500	428394-02	2	2	1					
14	Bushing	OCB-875	428394-04	1	1	2					
15	Transformer	26D285H	3A0172-01	1	1	1					
15a	T2 Screw	4x8	7P31-0408	2	2	2					
16	Resistor Wire Harness	-	4A2200G01	1	-						
17	Fuse Holder	-	4A0892-01		1	-					
			4A3449-01			1					
18	Fuse	AGC-10	4A0893-07		2	2					
19	Control Label	-	4A1758-01		1	1					
20	Thermostat	-	4A2879-02		1	1					
20a	Truss Head Screw	4x6	7C31-0406		2	2					

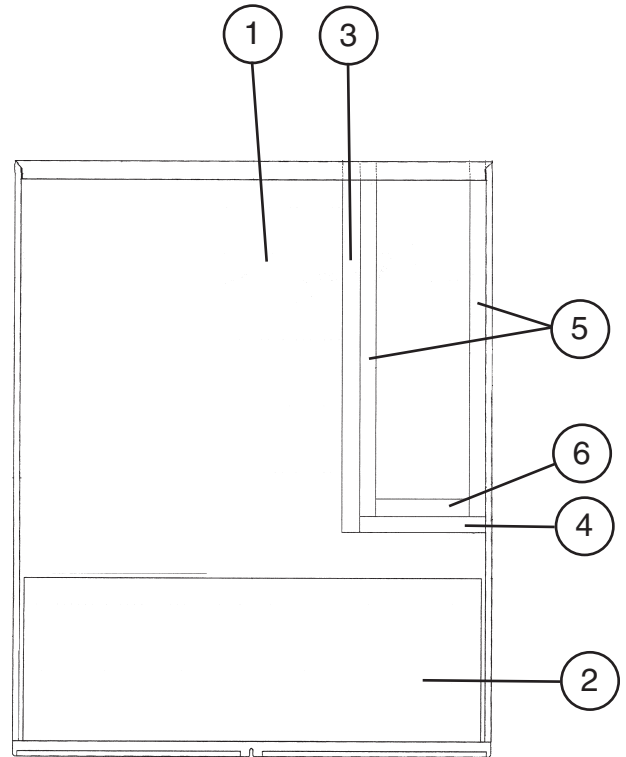
E. Front Panel Assembly

KM-900MAH, KM-900MWH, KM-900MRH, KM-900MRH3

L-0, L-1, M-0, M-1, M-2, M-3, M-4, N-0, N-1, P-0, P-1, Q-0, R-0, R-1, S-1



KM-900MAH



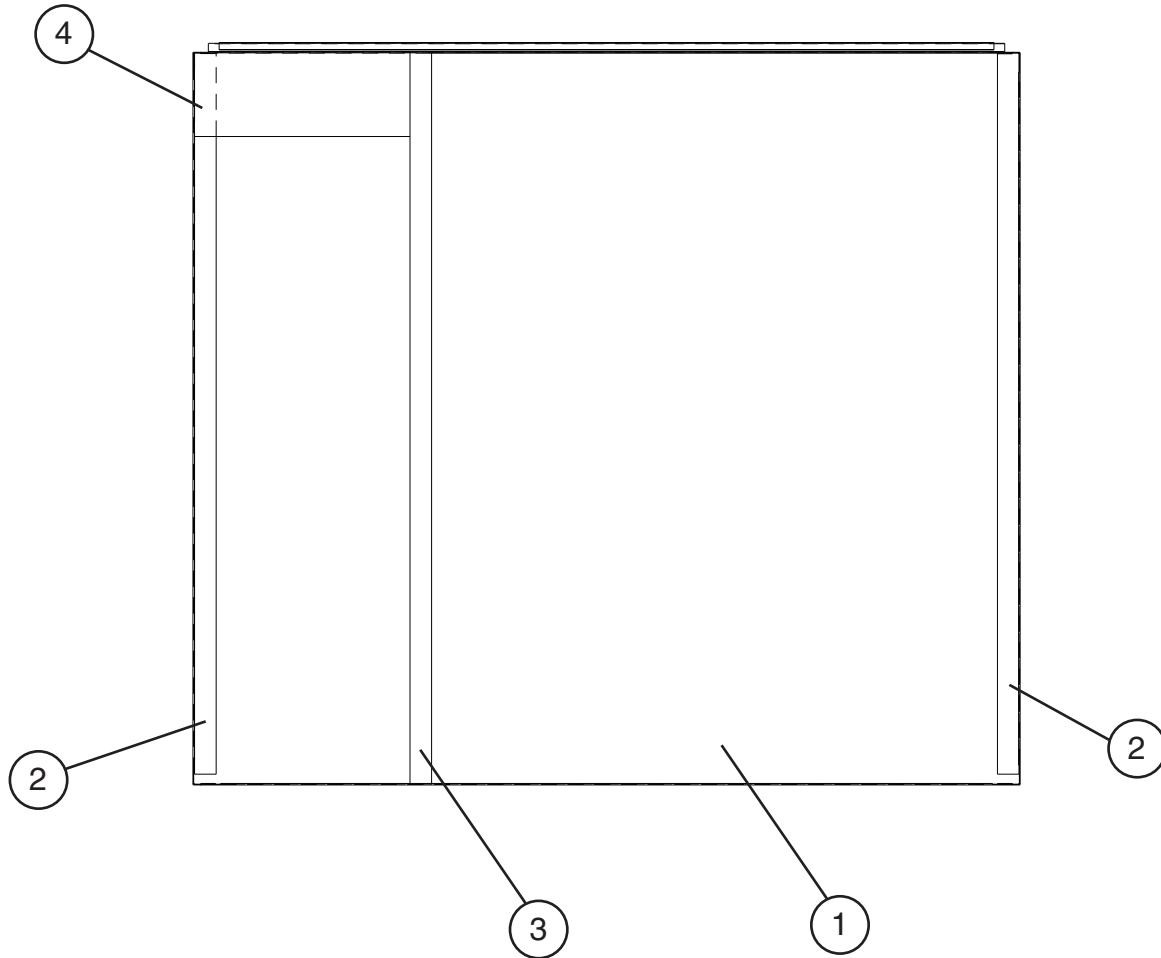
KM-900MWH, KM-900MRH, KM-900MRH3

Title: E. Front Panel Assembly Model: KM-900MAH, KM-900MWH, KM-900MRH, KM-900MRH3											
Index No.	Description	Material or Model Number	Part Number	Required Number							
				L-0 to R-1	S-1						
1	Front Panel (A)	KM-900MWH KM-900MRH/3	2A2130-02	1	1						
2	Insulation (A)	-	4A2507-02	1	1						
3	Foam Seal	L=640	4A0661L01		1						
4	Foam Seal	L=220	4A0661L01		1						
5	Foam Seal	L=610	4A1163L01		2						
6	Foam Seal	L=160	4A1163L01		1						

F. Top Panel Assembly

KM-900MAH, KM-900MWH, KM-900MRH, KM-900MRH3

L-0, L-1, M-0, M-1, M-2, M-3, M-4, N-0, N-1, P-0, P-1, Q-0, R-0, R-1, S-1

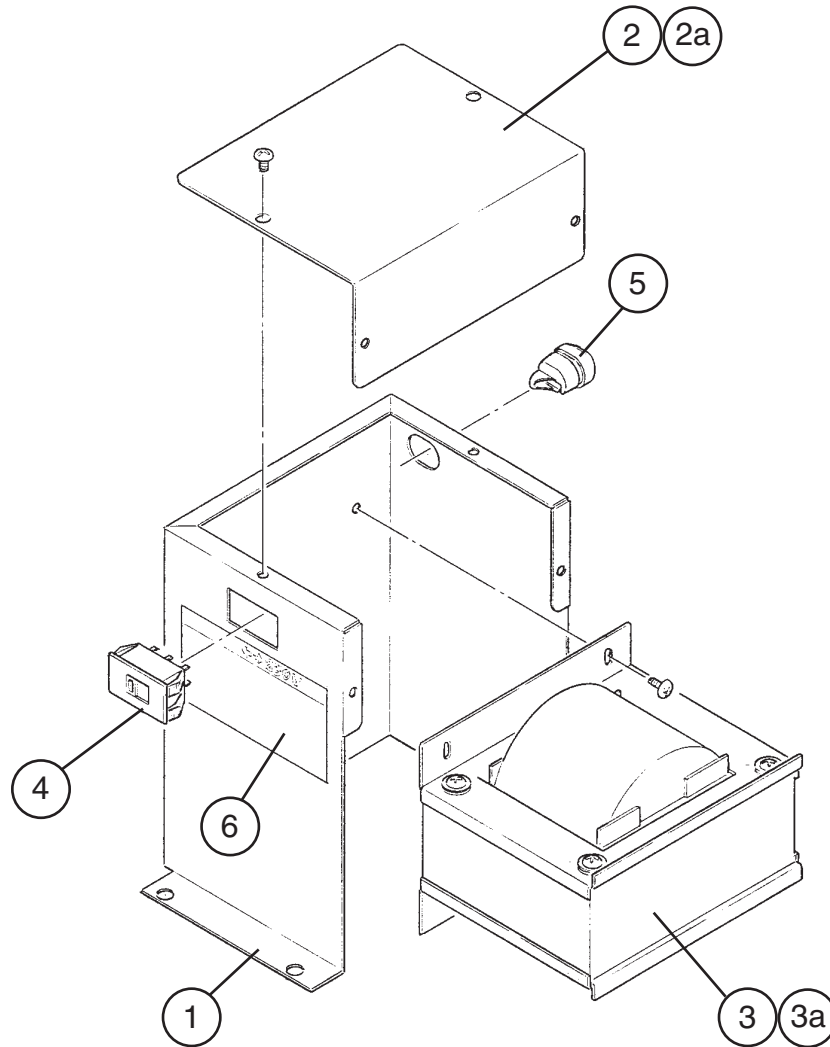


Title: F. Top Panel Assembly Model: KM-900MAH, KM-900MWH, KM-900MRH, KM-900MRH3												
Index No.	Description	Material or Model Number	Part Number	Required Number								
				L-0 to S-1								
1	Top Panel	SS	2A2110-01	1								
2	Gasket	-	427014-04	2								
3	Gasket (A)	-	324859-03	1								
4	Insulation	-	438012-01	1								

G. Transformer Box Assembly

KM-900MRH3

M-0, M-1, N-0, N-1, P-0, Q-0, R-0, R-1, S-1

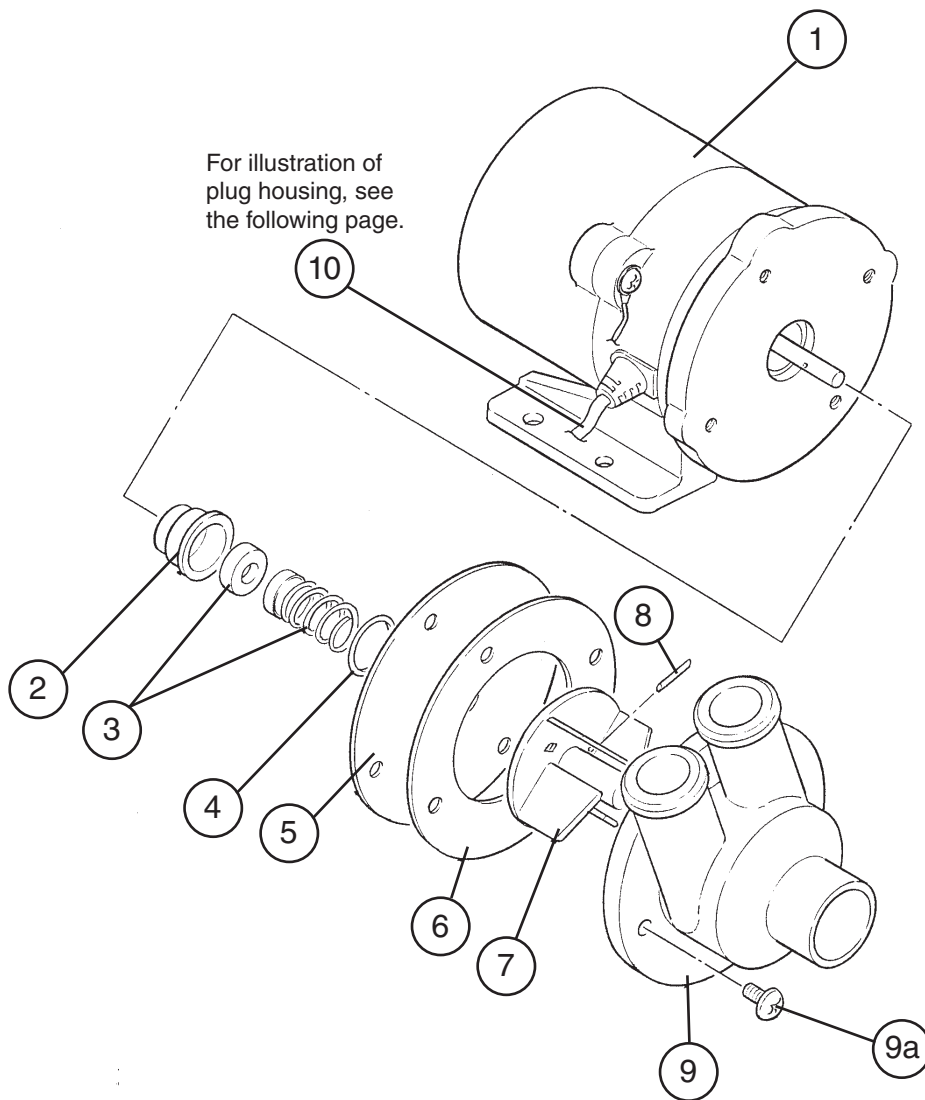


Title: H. Transformer Box Assembly Model: KM-900MRH3					Required Number								
Index No.	Description	Material or Model Number	Part Number	M-0 to S-1									
1	Transformer Box	-	3A1101-01	1									
2	Transformer Box Cover	-	438467-01	1									
2a	T2 Screw	4x8	7P31-0408	4									
3	Transformer	-	4A0817-01	1									
3a	Truss Head Screw	4x8	7C31-0408	4									
4	Slide Switch	-	4A1477-01	1									
5	Bushing	SR-30-1	420472-03	1									
6	Manual Label - Tap Switch	PVC FILM	439423-01	1									

H. Pump Motor Assembly

KM-900MAH, KM-900MWH, KM-900MRH, KM-900MRH3

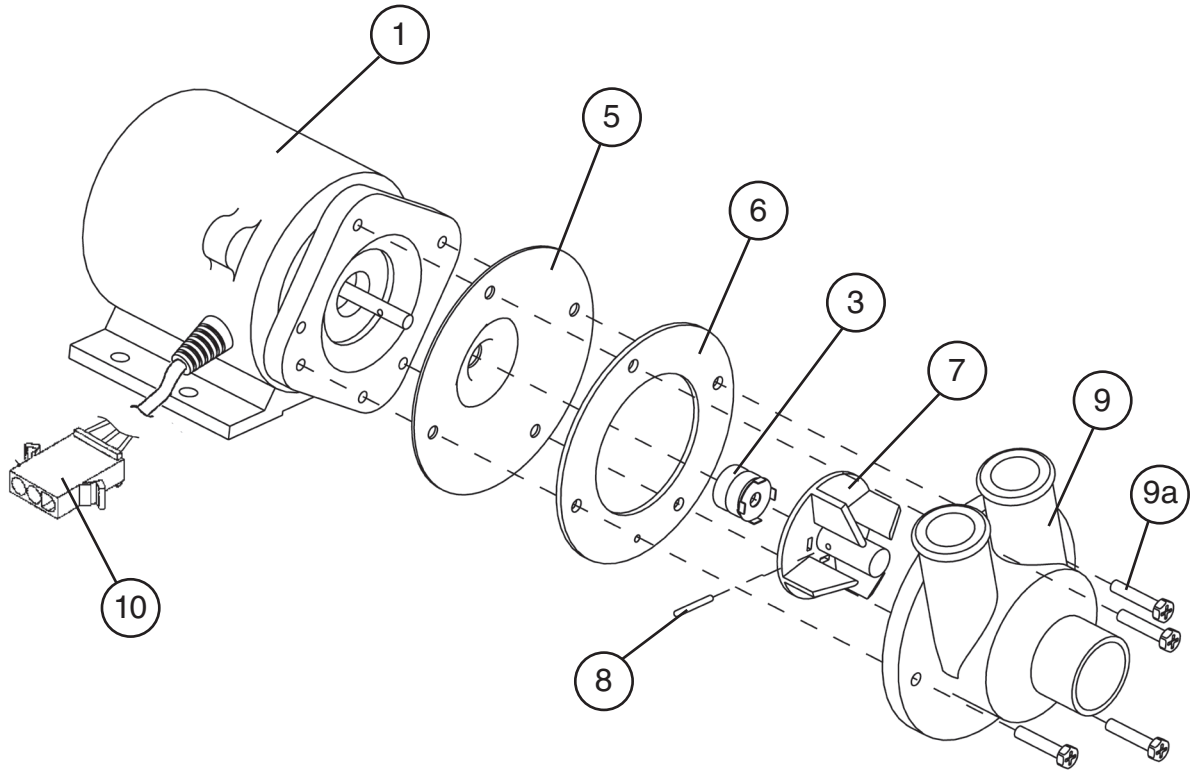
L-0, L-1, M-0, M-1, M-2, M-3, M-4, N-0, N-1, P-0, P-1



H. Pump Motor Assembly

KM-900MAH, KM-900MWH, KM-900MRH, KM-900MRH3

Q-0, R-0, R-1, S-1



Title: H. Pump Motor Assembly Model: KM-900MAH, KM-900MWH, KM-900MRH, KM-900MRH3											
Index No.	Description	Material or Model Number	Part Number	Required Number							
				L-0 to P-1	Q-0 to S-1						
1	Pump Motor	AP-TA4(H) 120V	2U0095-01	1	-						
		APTA9210WD1 120V	2A2758-01		1						
2	Retainer	SS	418584-01	1	-						
3	Mechanical Seal (B)	H5-PS9, ø5	415817-01	1	-						
	Mechanical Seal / R	HKU90-J9001	465627-01		1						
4	"O" Ring	1AP18	7611-P018	1	-						
5	Plate - Pump	SS	403013-01	1	-						
	Pump Flange	-	3A2988-01		1						
6	Pump Gasket	NR	403014-01	1	-						
		EPDM	4A2974-01		1						

Title: H. Pump Motor Assembly Model: KM-900MAH, KM-900MWH, KM-900MRH, KM-900MRH3											
Index No.	Description	Material or Model Number	Part Number	Required Number							
				L-0 to P-1	Q-0 to S-1						
7	Impeller		433522-01	1	1						
8	Pin	SS	414102-01	1	-						
			4A0648-01		1						
9	Pump Housing		211409-01	1	1						
9a	Hex Socket Head Cap Screw	4x20, SS	7C12-0420	4	-						
	Screw	4x20, Geomet 321coated SS	4A3871-01		4						
10	Plug Housing	-	412832-06	1	1						

J. Accessories

KM-900MAH, KM-900MWH, KM-900MRH, KM-900MRH3

L-0, L-1, M-0, M-1, M-2, M-3, M-4, N-0, N-1, P-0, P-1, Q-0, R-0, R-1, S-1



Title: J. Accessories Model: KM-900MAH, KM-900MWH, KM-900MRH, KM-900MRH3										
Index No.	Description	Material or Model Number	Part Number	Required Number						
				L-0 to S-1						
1	Universal Brace	GS	4A0363-01	2						
1a	Hex Head Bolt	5x12, SS	7B02-0512	4						