
NO. 71081

ISSUED: APRIL 12, 1993

REVISED: MAY 16, 2000



**HOSHIZAKI
MODULAR CRESCENT CUBER**

MODEL

KM-800MAE

KM-800MWE

KM-800MRE

(FINAL) PARTS LIST

HA

KM-800MAE

C-0 Feb., 1993
C-1 March, 1993
C-2 Aug., 1993
D-0 Dec., 1993
E-0 Dec., 1994
E-1 April, 1995
F-0 Jan., 1996
F-1 June, 1996
G-0 Jan., 1997
G-1 June, 1997
H-0 Dec., 1997
H-1 June, 1998
H-2 July, 1998
H-3 Oct., 1998
H-4 Nov., 1998
J-0 Dec., 1998

KM-800MWE

C-0 Feb., 1993
C-1 March, 1993
C-2 Oct., 1993
D-0 Feb., 1994
E-0 Feb., 1995
E-1 April, 1995
F-0 Jan., 1996
F-1 June, 1996
G-0 Jan., 1997
G-1 June, 1997
H-0 Jan., 1998
H-1 June, 1998
H-2 July, 1998
J-0 Dec., 1998

KM-800MRE

C-0 Jan., 1993
C-1 March, 1993
C-2 July, 1993
D-0 Jan., 1994
E-0 Dec., 1994
E-1 April, 1995
F-0 Dec., 1995
F-1 June, 1996
G-0 Dec., 1996
G-1 June, 1997
H-0 Dec., 1997
H-1 June, 1998
H-2 Oct., 1998
J-0 Dec., 1998

MATERIAL ABBREVIATIONS

ALUMINUM

AL = Aluminum

COPPER

CU = Copper

PLASTIC

ABS = Acrylonitrile -butadiene - styrene
 AC = Polyacetal
 EVA = Ethylene vinyl acetate
 PA = Polyamide = Nylon
 PC = Polycarbonate
 PE = Polyethylene
 PES = Polyester
 PETP = Polyethylene terephthalate = Tetlon
 PP = Polypropylene
 PS = Polystyrene
 PTFE = Polytetrafluoroethylene = Teflon
 PUR = Polyurethane
 PVC = Polyvinyl chloride

RUBBER

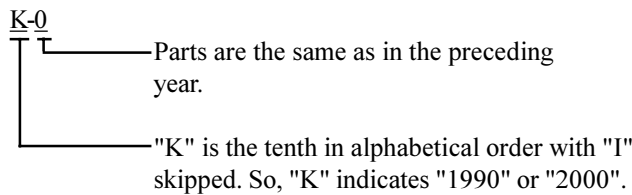
VN = Vinyl Nitrile
 EPDM = EP rubber
 NBR = Nitrile butadiene rubber
 NR = Natural rubber
 NP = Neoprene
 SI.R = Silicone rubber
 SY.R = Synthetic rubber
 EPH = Epichlorohydrin

STEEL

GS = Galvanized steel
 SS = Stainless steel
 PS = Plated steel
 PAS = Primed steel

AUXILIARY CODE

Ex.1

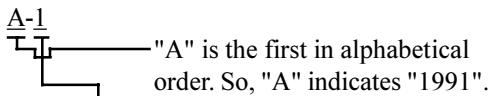


(Note) - = Part deleted.

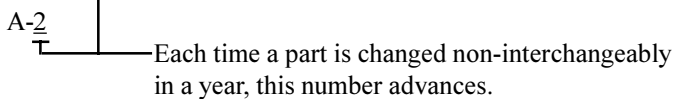
x = Part deleted and replaced by "o" part.

o = New part for "x" in the same auxiliary code.

Ex.2



Ex.3



FASTENER ABBREVIATION LIST

ST	Phillips Truss Machine Screw
SP	Phillips Pan Head Machine Screw
SF	Phillips Flat Head Machine Screw
SS	Phillips Pan Head Machine Screw with Split Lock Washer
SW	Phillips Pan Head Machine Screw with Split Lock Washer and Flat Washer
T1	Phillips Truss Head Tapping Screw (Correspond to Type A)
T2	Phillips Truss Head Tapping Screw (Correspond to Type B)
T3	Phillips Truss Head Tapping Screw (Correspond to Type C)
FT	Phillips Truss Head Tapping Screw (Special)
BH	Hexagon Head Bolt
BC	Socket Head Cap Screw
BS	Hexagon Bolt with Split Washer
BW	Hexagon Bolt with Split Washer and Flat Washer
BF	Hexagon Flange Bolt
BR	Cross-Recessed Hexagon Head Bolt
BRW	Cross-Recessed Hexagon Head Bolt with Split Lock Washer and Flat Washer
WL	Split Lock Washer
WT	External Tooth Washer
WF	Flat Washer
WS	Spring Washer
NH	Hexagon Nut
NF	Hexagon Flange Nut
NC	Hexagon Cap Nut
NS	Square Nut
NW	Wing Nut

Ex. ST0308S (Phillips Truss Head Machine Screw
3x8, made of stainless steel)

Material	None:	Plated Steel
Length (mm)	S:	Stainless Steel
Nominal Diameter (mm)	B:	Brass
Form of Head	P:	Plastic
Description		

(Note) Second character is numerical except toe list.

Ex. S1, S2, B3 etc.

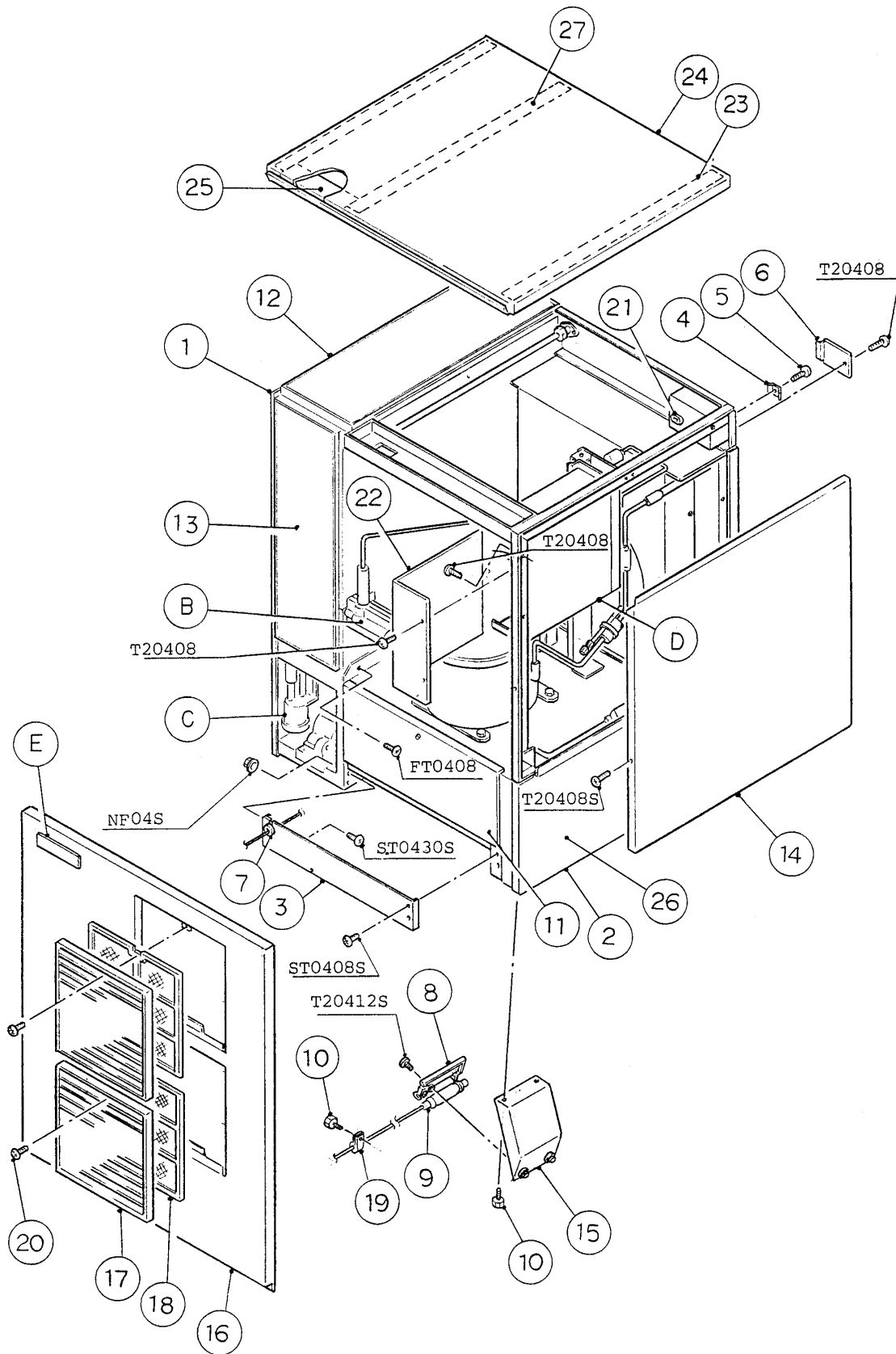
And abbreviations and names are shown under the illustration.

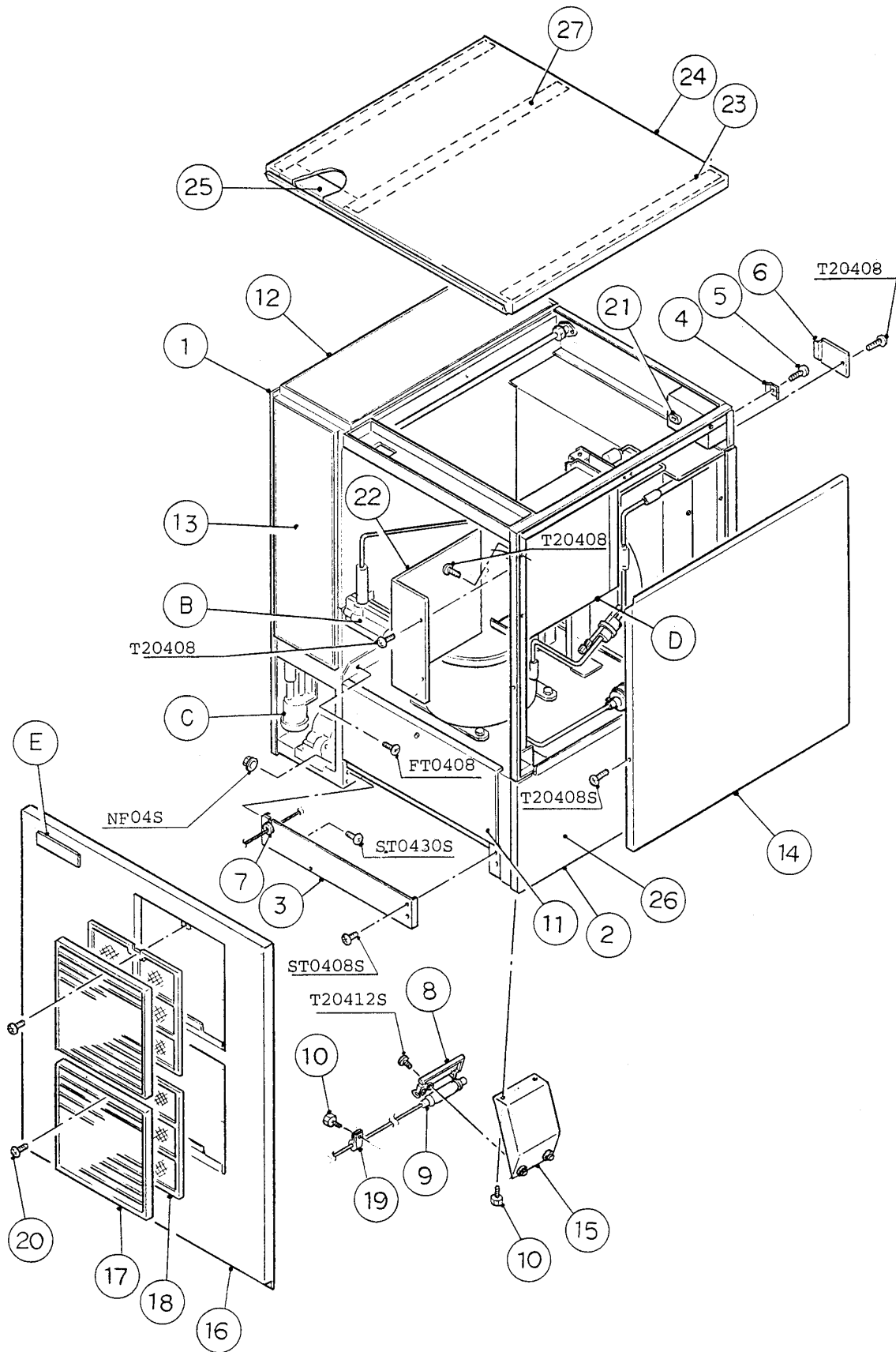
HA

KM-800MAE

A. ICE CUBER ASSEMBLY

C-0, C-1, C-2, D-0, E-0, E-1, F-0



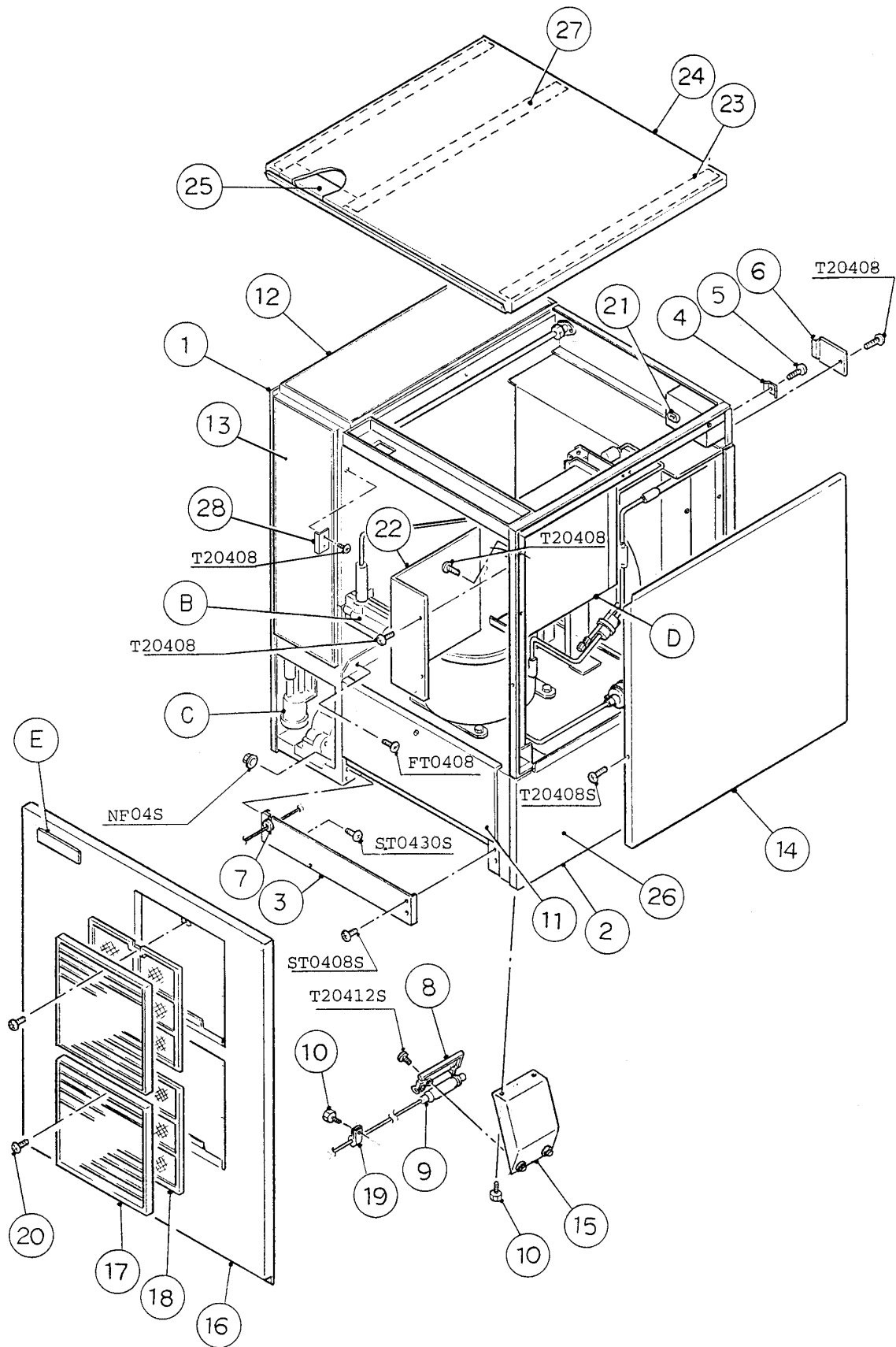


HA

KM-800MAE

A. ICE CUBER ASSEMBLY

G-0, G-1, H-0, H-1, H-2, H-3, H-4, J-0



HA

MODEL: KM-800MAE TITLE: A. ICE CUBER ASSEMBLY													
INDEX NO.	DESCRIPTION	MATERIAL OR MODEL NUMBER	PART NUMBER	REQUIRED NUMBER									
				C-0	C-1	C-2	D-0 E-0	E-1 F-0	F-1	G-0 G-1 H-0 H-1	H-2	H-3	H-4 J-0
B	REFRIGERATION CIRCUIT	-	106081A01	1	-								
		-	106081A02		1	1	1	-					
		-	106081A03					1	1	1	1	1	1
C	WATER CIRCUIT	-	105126A03	1	-								
		-	105126A06		1	-							
		-	1A0058A03			1	1	-					
		-	1A0058A05					1	1	1	1	1	1
D	CONTROL BOX ASSEMBLY	-	217130A06	1	1	1	1	1	1	1	-		
		-	217130A11								1	-	
		-	217130A06									1	-
		-	217130A11										1
E	LABEL LOCATION	-	329724A01	1	1	1	1	1	1	1	-		
		-	329724A02								1	-	
		-	329724A01									1	-
		-	329724A02										1
1	EVAP. CASE	-	104404G06	1	-								
		-	2A0143G02		1	1	1	1	1	1	1	x1	
		-	1A0276G02										o1
2	BASE	-	104415G04	1	-								
		-	104415G05		1	1	x1						
		-	104415G08				o1	1	1	1	1	1	x1
		-	1A0411G01										o1
3	FRONT FRAME	SS	322617-01	1	1	1	1	1	1	1	1	1	1
4	SQUARE WASHER	BRASS	433537-02	1	1	1	1	1	1	1	1	1	1
5	SCREW - GROUNDING	BRASS	433304-02	1	1	1	1	1	1	1	1	1	1
6	JUNCTION BOX COVER	GS	433410-01	1	1	1	1	1	1	1	1	1	1
7	CAPILLARY RING	EP RUBBER	425307-01	1	1	1	1	1	1	1	1	1	1

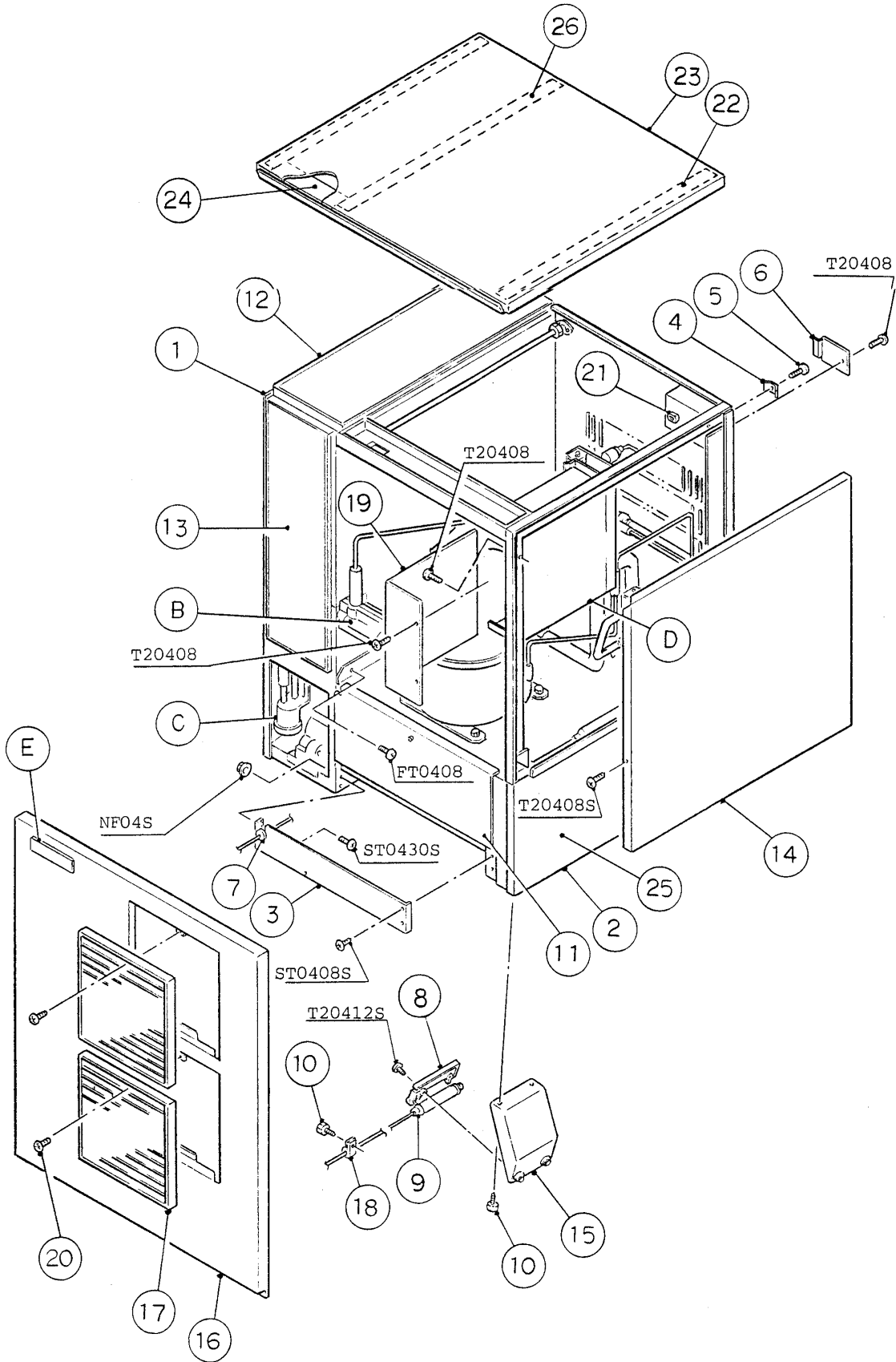
MODEL: KM-800MAE TITLE: A. ICE CUBER ASSEMBLY													
INDEX NO.	DESCRIPTION	MATERIAL OR MODEL NUMBER	PART NUMBER	REQUIRED NUMBER									
				C-0	C-1	C-2	D-0 E-0	E-1 F-0	F-1	G-0 G-1 H-0 H-1	H-2	H-3	H-4 J-0
8	BULB HOLDER	ABS	328919-01	1	1	1	1	1	1	1	1	1	1
9	SPACER	PE	443545-01	2	2	1	1	1	1	1	1	1	1
10	THUMBSCREW	ABS, SS	415949G01	3	1	1	1	1	1	1	1	1	1
11	BASE COVER	SS	322618G01	1	1	1	1	1	1	1	1	1	1
12	TOP INSULATION	PP, PUR	215730G01	1	1	1	1	1	1	1	1	1	1
13	FRONT INSULATION	PP, PUR	215731G02	1	1	1	1	1	1	1	1	1	1
14	SIDE PANEL (R)	SS	211811G02	1	1	1	1	1	x1				
		SS	2A0612G01						o1	x1			
		SS	211811G02							o1	1	1	1
15	BULB HOLDER (C)	ABS	322634G01	1	x1								
		ABS	3A0218G01		o1	1	1	1	1	1	1	1	1
16	FRONT PANEL	SS	212629G01	1	1	1	1	x1					
		SS	212629G02					o1	1	1	1	1	1
17	LOUVER (B)	-	103121-01	2	-								
		-	103121-03		2	2	2	2	2	2	2	2	2
18	AIR FILTER (B)	-	208283G01	2	-								
		-	208283G03		2	2	2	2	2	2	2	2	2
19	STRAP	NBR, NW372	435487-01	1	1	1	1	1	1	1	1	1	1
20	TAPPING SCREW (BLACK)	STEEL,4x8	433954-01	2	2	2	2	2	2	2	2	2	2
21	BUSHING	SR-34-2	420472-05	1	1	1	1	1	1	1	1	1	1
22	CONTROL BOX COVER	GS	3A0174-01	1	1	1	1	1	1	1	1	1	1
23	GASKET	(324859A02)	427014-04	2	2	2	2	2	2	2	2	2	2
24	TOP PANEL	SS	213543-01	1	1	1	1	1	1	1	1	1	1
25	INSULATION	PE FOAM	438012-01	1	1	1	1	1	1	1	1	1	1
26	SIDE PANEL (R) BASE	SS	212620-01	1	1	1	-						
		SS	2A0317-01				1	1	1	1	1	1	1
27	GASKET (A)	L=696	324859-03	1	1	1	1	1	1	1	1	1	1
28	BARRIER - INSULATION	GS	4A1167-01							1	1	1	1

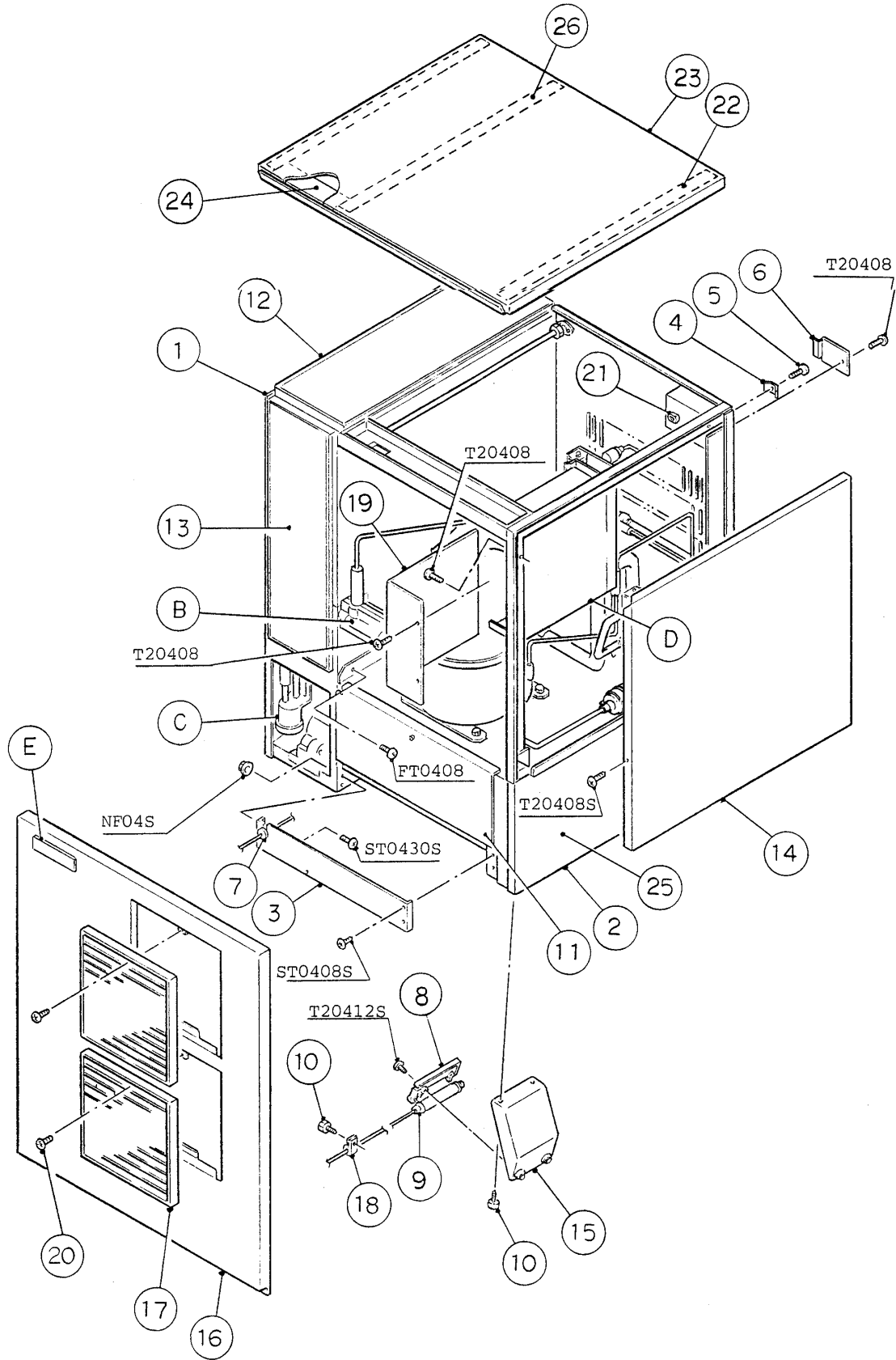
HA

KM-800MWE

A. ICE CUBER ASSEMBLY

C-0, C-1, C-2, D-0, E-0, E-1, F-0



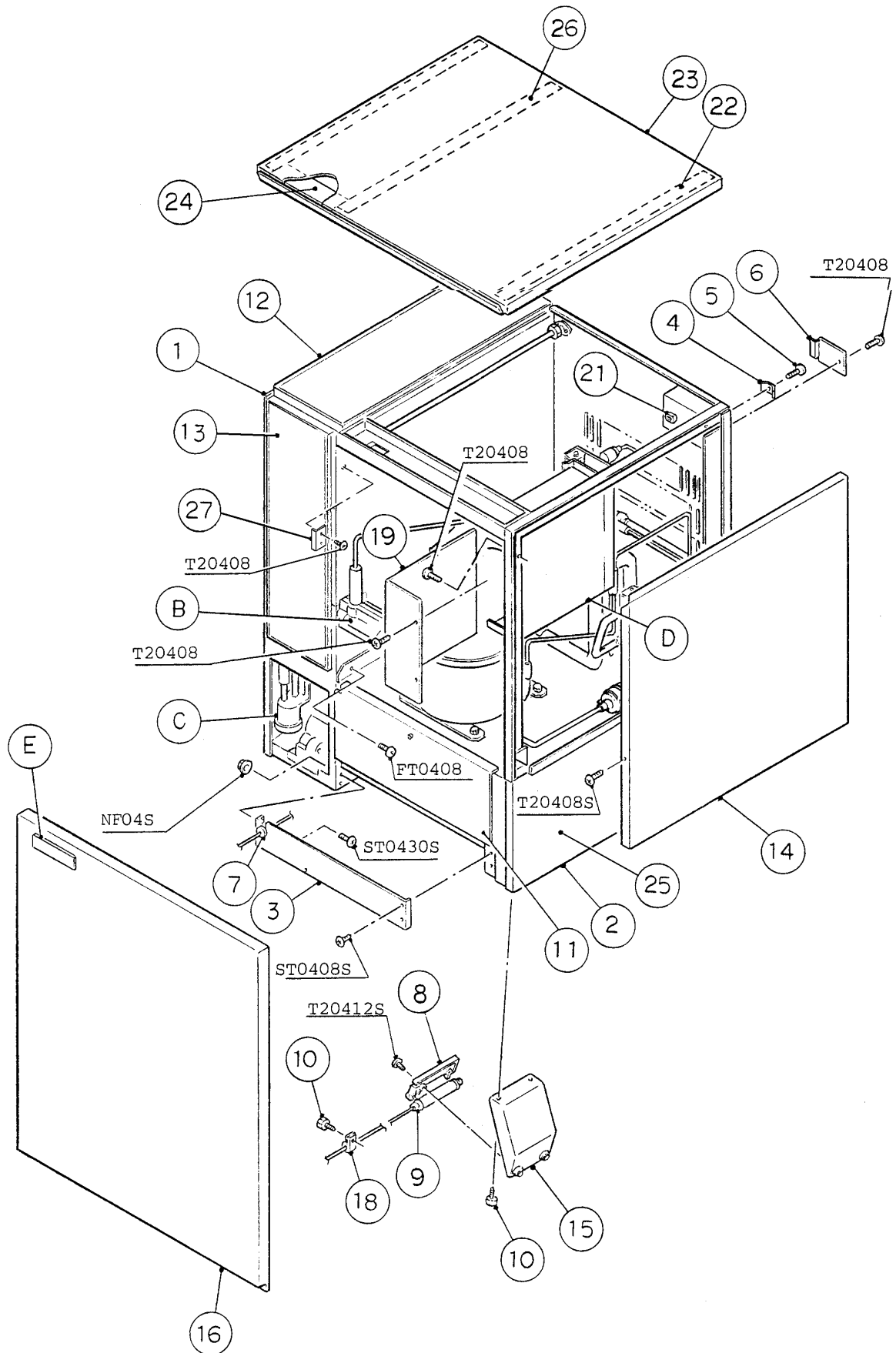


HA

KM-800MWE

A. ICE CUBER ASSEMBLY

G-0, G-1, H-0, H-1, H-2, J-0



MODEL: KM-800MWE TITLE: A. ICE CUBER ASSEMBLY													
INDEX NO.	DESCRIPTION	MATERIAL OR MODEL NUMBER	PART NUMBER	REQUIRED NUMBER									
				C-0	C-1	C-2	D-0 E-0	E-1	F-0	F-1	G-0	G-1	H-0
B	REFRIGERATION CIRCUIT	-	106082A01	1	-								
		-	106082A02		1	1	1	-					
		-	106082A03					1	1	1	1	1	1
C	WATER CIRCUIT	-	105126A03	1	-								
		-	105126A06		1	-							
		-	1A0058A03			1	1	-					
		-	1A0058A05					1	1	1	1	1	1
D	CONTROL BOX ASSEMBLY	-	217130A10	1	1	1	1	1	1	1	1	1	
		-	217130A12										
E	LABEL LOCATION	-	329725A01	1	1	1	1	1	1	1	1	1	
			329725A02										
1	EVAP. CASE	-	104404G06	1	-								
		-	2A0143G02		1	1	1	1	1	1	1	1	
		-	1A0276G02										
2	BASE	-	104415G02	1	1	-							
		-	104415G06			1	x1						
		-	104415G09				o1	1	1	1	1	1	1
		-	1A0411G02										
3	FRONT FRAME	SS	322617-01	1	1	1	1	1	1	1	1	1	
4	SQUARE WASHER	BRASS	433537-02	1	1	1	1	1	1	1	1	1	
5	SCREW - GROUNDING	BRASS	433304-02	1	1	1	1	1	1	1	1	1	
6	JUNCTION BOX COVER	GS	433410-01	1	1	1	1	1	1	1	1	1	
7	CAPILLARY RING	EP RUBBER	425307-01	1	1	1	1	1	1	1	1	1	
8	BULB HOLDER	ABS	328919-01	1	1	1	1	1	1	1	1	1	
9	SPACER	PE	443545-01	2	2	1	1	1	1	1	1	1	
10	THUMBSCREW	ABS, SS	415949G01	3	1	1	1	1	1	1	1	1	
11	BASE COVER	SS	322618G01	1	1	1	1	1	1	1	1	1	
12	TOP INSULATION	PP, PUR	215730G01	1	1	1	1	1	1	1	1	1	
13	FRONT INSULATION	PP, PUR	215731G02	1	1	1	1	1	1	1	1	1	

MODEL: KM-800MWE TITLE: A. ICE CUBER ASSEMBLY											
INDEX NO.	DESCRIPTION	MATERIAL OR MODEL NUMBER	PART NUMBER	REQUIRED NUMBER							
				H-1	H-11956G - H-12005	H-2	J-0				
B	REFRIGERATION CIRCUIT	-	106082A03	1	1	1	1				
C	WATER CIRCUIT	-	1A0058A05	1	1	1	1				
D	CONTROL BOX ASSEMBLY	-	217130A10	1	-						
		-	217130A12		1	1	1				
E	LABEL LOCATION	-	329725A01								
1	EVAP. CASE	-	2A0143G02	1	1	x1					
		-	1A0276G02			o1	1				
2	BASE	-	104415G09	1	1	1	x1				
		-	1A0411G02				o1				
3	FRONT FRAME	SS	322617-01	1	1	1	1				
4	SQUARE WASHER	BRASS	433537-02	1	1	1	1				
5	SCREW - GROUNDING	BRASS	433304-02	1	1	1	1				
6	JUNCTION BOX COVER	GS	433410-01	1	1	1	1				
7	CAPILLARY RING	EP RUBBER	425307-01	1	1	1	1				
8	BULB HOLDER	ABS	328919-01	1	1	1	1				
9	SPACER	PE	443545-01	1	1	1	1				
10	THUMBSCREW	ABS, SS	415949G01	1	1	1	1				
11	BASE COVER	SS	322618G01	1	1	1	1				
12	TOP INSULATION	PP, PUR	215730G01	1	1	1	1				
13	FRONT INSULATION	PP, PUR	215731G02	1	1	1	1				

HA

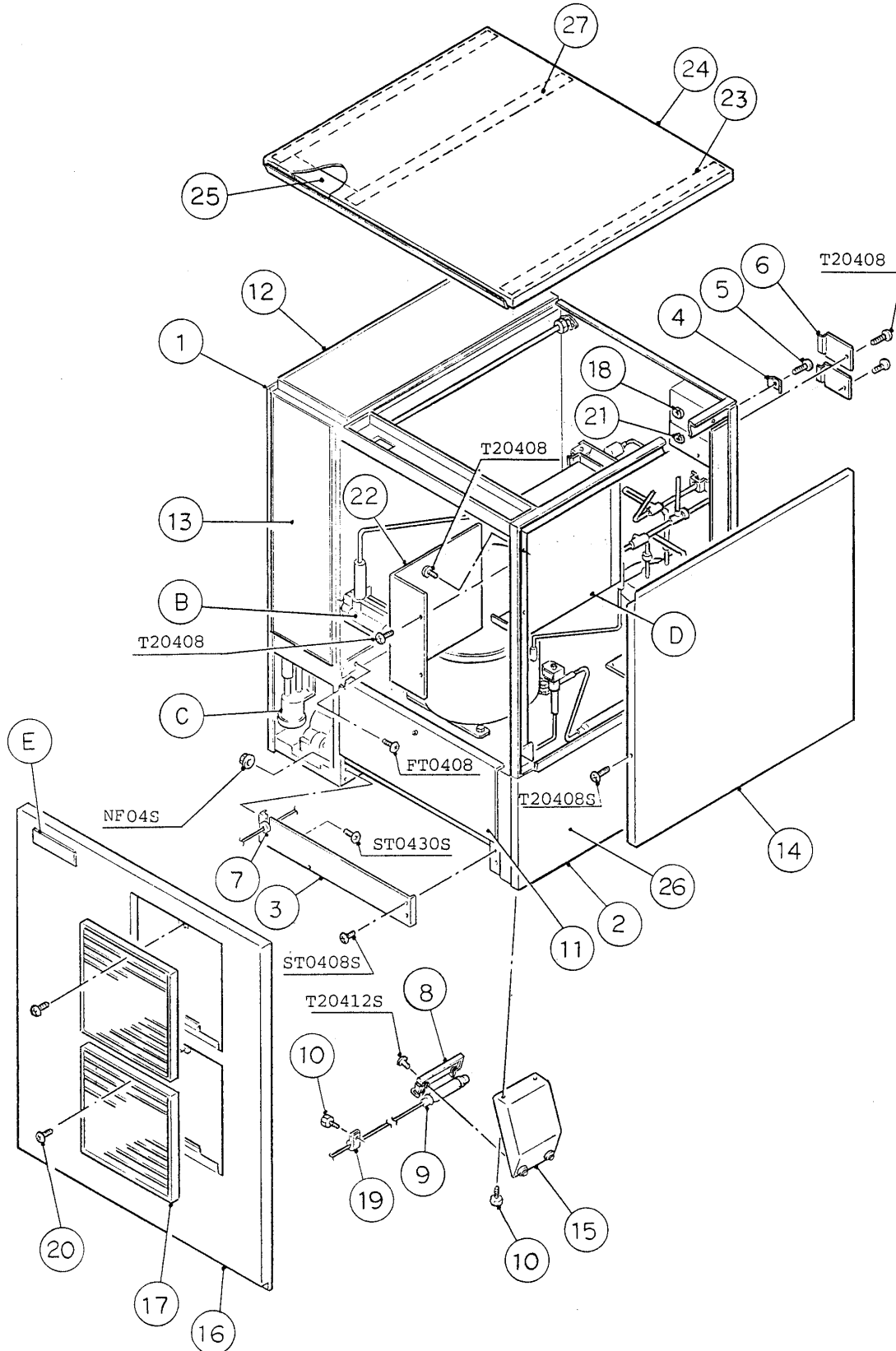
MODEL: KM-800MWE TITLE: A. ICE CUBER ASSEMBLY													
INDEX NO.	DESCRIPTION	MATERIAL OR MODEL	PART NUMBER	REQUIRED NUMBER									
				C-0	C-1	C-2	D-0	E-0 E-1	F-0	F-1	G-0 G-1	H-0 H-1	H-2 J-0
14	SIDE PANEL (R)	SS	211811G02	1	1	1	1	1	1	1	x1		
		SS	2A0612G01								o1	x1	
		SS	211811G02									o1	1
15	BULB HOLDER (C)	ABS	322634G01	1	x1								
		ABS	3A0218G01		o1	1	1	1	1	1	1	1	1
16	FRONT PANEL	SS	212629G01	1	1	1	1	1	1	1	x1		
		SS	212629G03									o1	1
17	LOUVER (B)	-	103121-01	2	2	x2							
		-	103121-03			o2	2	2	2	2	-		
18	STRAP	NBR, NW372	435487-01	1	1	1	1	1	1	1	1	1	1
19	CONTROL BOX COVER	GS	3A0174-01	1	1	1	1	1	1	1	1	1	1
20	TAPPING SCREW (BLACK)	STEEL,4x8	433954-01	2	2	2	2	2	2	2	2	-	
21	BUSHING	SR-34-2	420472-05	1	1	1	1	1	1	1	1	1	1
22	GASKET	(324859A02)	427014-04	2	2	2	2	2	2	2	2	2	2
23	TOP PANEL	SS	213543-01	1	1	1	1	1	1	1	1	1	1
24	INSULATION	PE FOAM	438012-01	1	1	1	1	1	1	1	1	1	1
25	SIDE PANEL (R) BASE	SS	212620-01	1	1	1	x1						
		SS	2A0317-01				o1	1	1	1	1	1	1
26	GASKET (A)	L=696	324859-03	1	1	1	1	1	1	1	1	1	1
27	BARRIER - INSULATION	GS	4A1167-01									1	1

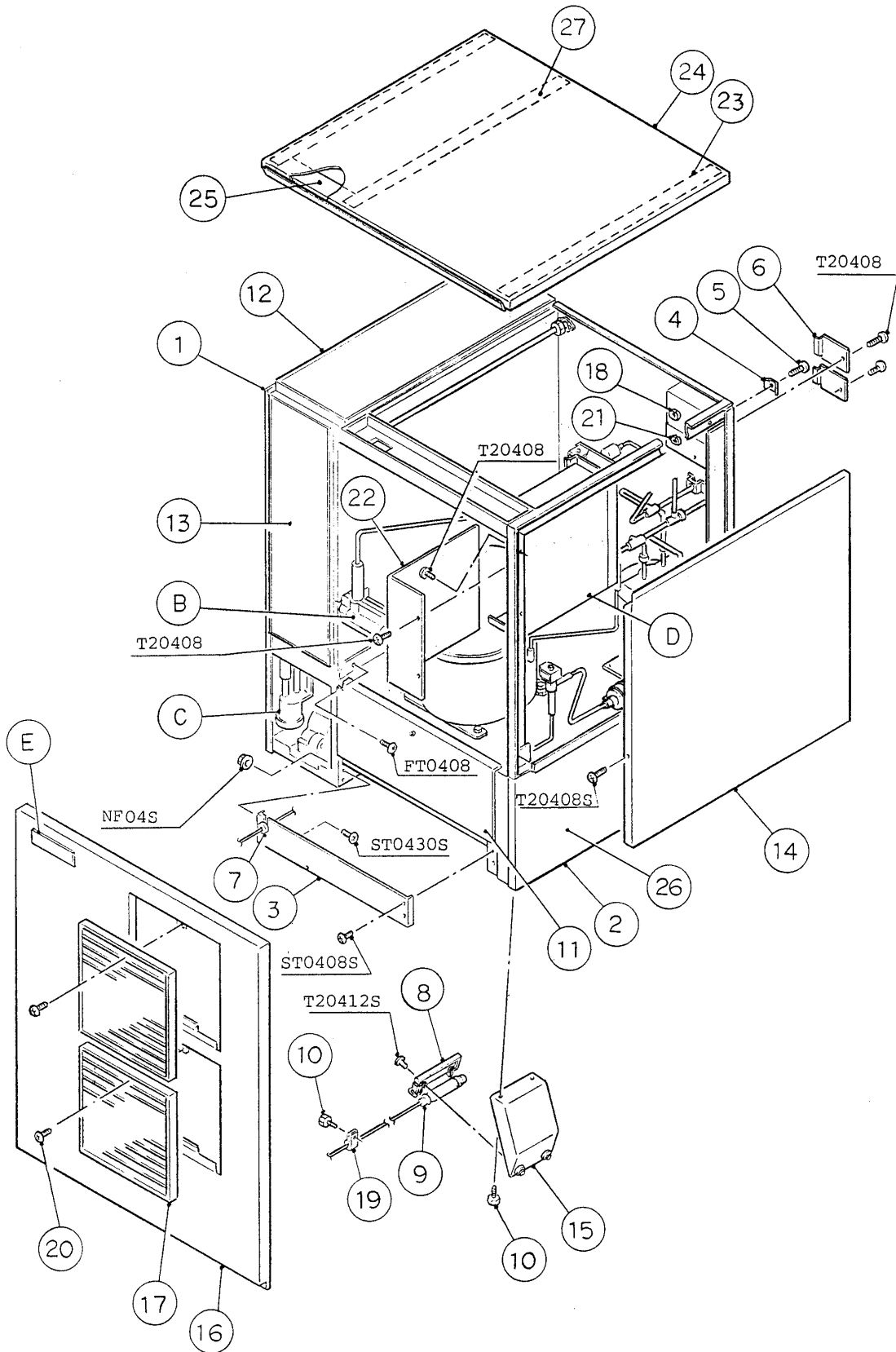
HA

KM-800MRE

A. ICE CUBER ASSEMBLY

C-0, C-1, C-2, D-0, E-0, E-1, F-0



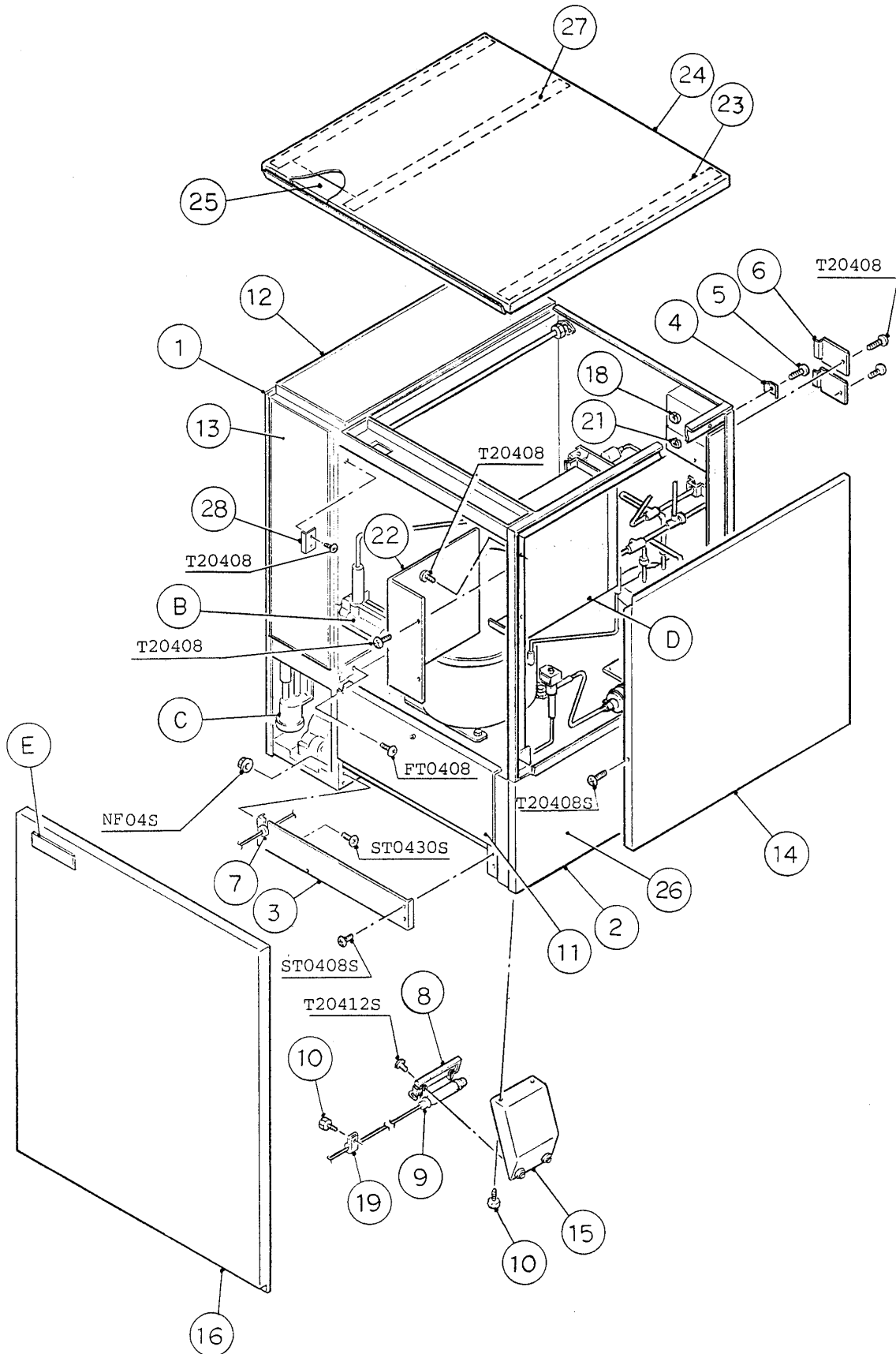


HA

KM-800MRE

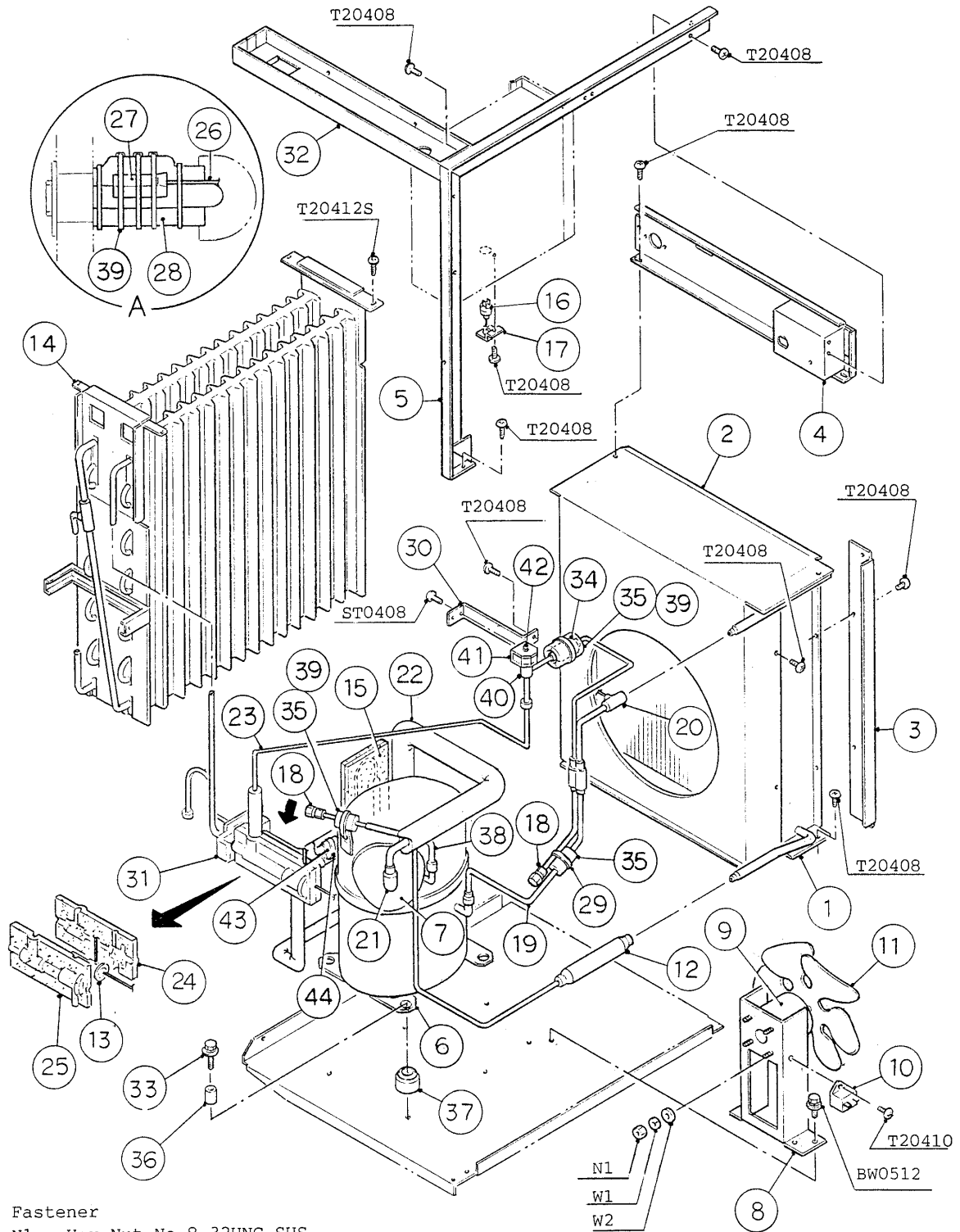
A. ICE CUBER ASSEMBLY

G-0, G-1, H-0, H-1, H-2, J-0



MODEL: KM-800MRE TITLE: A. ICE CUBER ASSEMBLY													
INDEX NO.	DESCRIPTION	MATERIAL OR MODEL	PART NUMBER	REQUIRED NUMBER									
				C-0	C-1	C-2	D-0 E-0	E-1 F-0	F-1	G-0 G-1	H-0 H-1	H-2	J-0
B	REFRIGERATION CIRCUIT	-	106083A01	1	-								
		-	106083A02		1	1	1	-					
		-	106083A03					1	1	1	1	1	1
C	WATER CIRCUIT	-	105126A03	1	-								
		-	105126A06		1	-							
		-	1A0058A03			1	1	-					
		-	1A0058A05					1	1	1	1	1	1
D	CONTROL BOX ASSEMBLY	-	217130A06	1	1	1	1	1	1	1	1	-	
		-	217130A11									1	1
E	LABEL LOCATION	-	329726A01	1	1	1	1	1	1	1	1	-	
		-	329726A02									1	1
1	EVAP. CASE	-	104404G06	1	-								
		-	2A0143G02		1	1	1	1	1	1	1	x1	
		-	1A0276G02									o1	1
2	BASE	-	104415G03	1	1	-							
		-	104415G07			1	x1						
		-	104415G10				o1	1	1	1	1	1	x1
		-	1A0411G03										o1
3	FRONT FRAME	SS	322617-01	1	1	1	1	1	1	1	1	1	1
4	SQUARE WASHER	BRASS	433537-02	2	2	2	2	2	2	2	2	2	2
5	SCREW - GROUNDING	BRASS	433304-02	2	2	2	2	2	2	2	2	2	2
6	JUNCTION BOX COVER	GS	433410-01	2	2	2	2	2	2	2	2	2	2
7	CAPILLARY RING	EP RUBBER	425307-01	1	1	1	1	1	1	1	1	1	1
8	BULB HOLDER	ABS	328919-01	1	1	1	1	1	1	1	1	1	1
9	SPACER	PE	443545-01	2	2	1	1	1	1	1	1	1	1
10	THUMBSCREW	ABS, SS	415949G01	3	1	1	1	1	1	1	1	1	1
11	BASE COVER	SS	322618G01	1	1	1	1	1	1	1	1	1	1
12	TOP INSULATION	PP, PUR	215730G01	1	1	1	1	1	1	1	1	1	1
13	FRONT INSULATION	PP, PUR	215731G02	1	1	1	1	1	1	1	1	1	1

MODEL: KM-800MRE TITLE: A. ICE CUBER ASSEMBLY													
INDEX NO.	DESCRIPTION	MATERIAL OR MODEL	PART NUMBER	REQUIRED NUMBER									
				C-0	C-1	C-2	D-0 E-0	E-1 F-0	F-1	G-0 G-1	H-0 H-1	H-2	J-0
14	SIDE PANEL (R)	SS	211811G02	1	1	1	1	1	x1				
		SS	2A0612G01						o1	x1	1	1	1
		SS	211811G02							o1	1	1	1
15	BULB HOLDER (C)	ABS	322634G01	1	x1								
		ABS	3A0218G01		o1	1	1	1	1	1	1	1	1
16	FRONT PANEL	SS	212629G01	1	1	1	1	1	1	x1			
		SS	212629G03							o1	1	1	1
17	LOUVER (B)	-	103121-01	2	2	-							
		-	103121-03			2	2	2	2	-			
18	BUSHING	SR-34-2	420472-05	1	1	1	1	1	1	1	1	1	1
19	STRAP	NBR, NW372	435487-01	1	1	1	1	1	1	1	1	1	1
20	TAPPING SCREW (BLACK)	STEEL, 4 x 8	433954-01	2	2	2	2	2	2	-			
21	BUSHING	SR-30-1	420472-03	1	1	1	1	1	1	1	1	1	1
22	CONTROL BOX COVER	GS	3A0174-01	1	1	1	1	1	1	1	1	1	1
23	GASKET	(324859A02)	427014-04	2	2	2	2	2	2	2	2	2	2
24	TOP PANEL	SS	213543-01	1	1	1	1	1	1	1	1	1	1
25	INSULATION	PE FOAM	438012-01	1	1	1	1	1	1	1	1	1	1
26	SIDE PANEL (R) BASE	SS	212620-01	1	1	1	-						
		SS	2A0317-01				1	1	1	1	1	1	1
27	GASKET (A)	L=696	324859-03	1	1	1	1	1	1	1	1	1	1
28	BARRIER - INSULATION	GS	4A1167-01							1	1	1	1

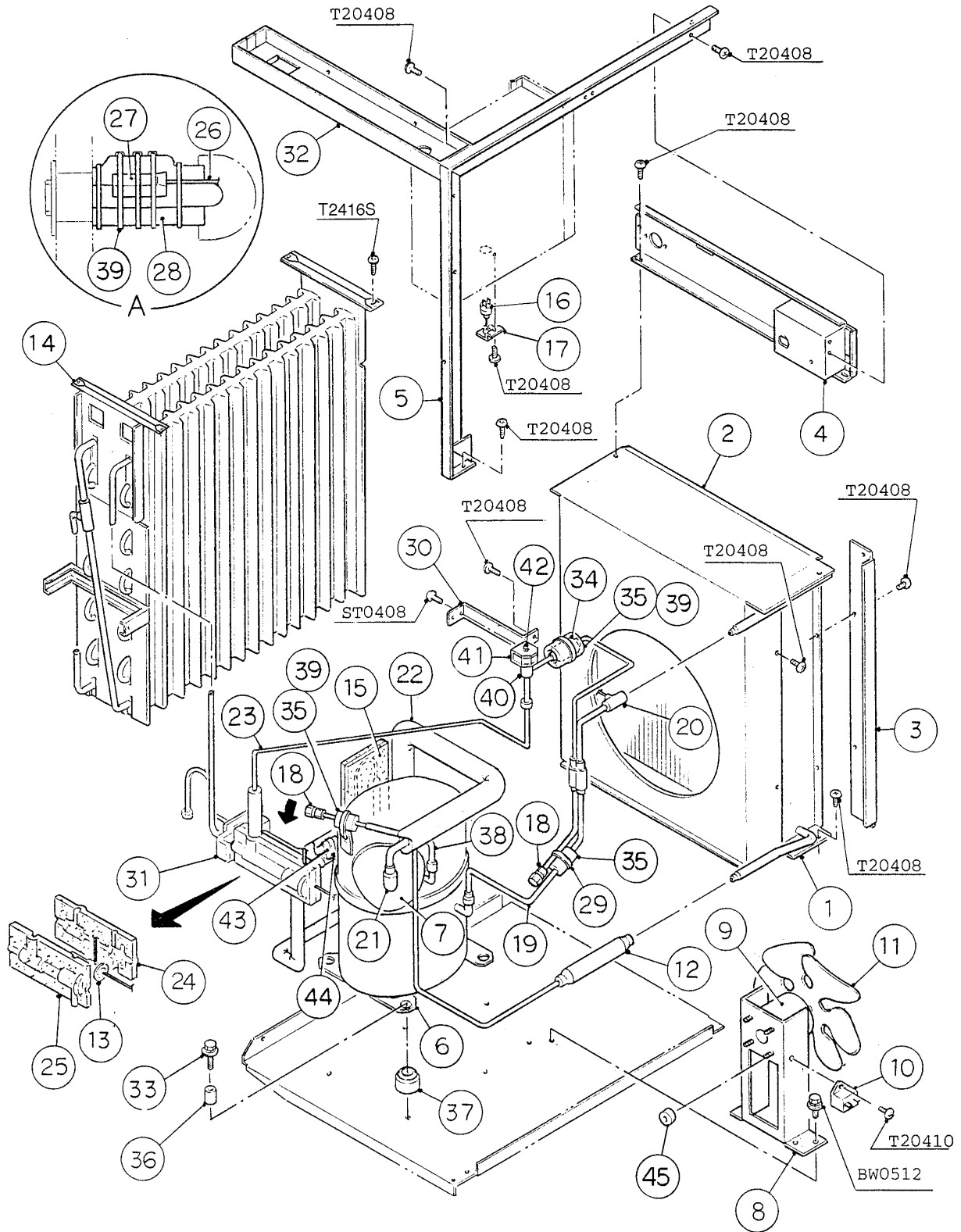


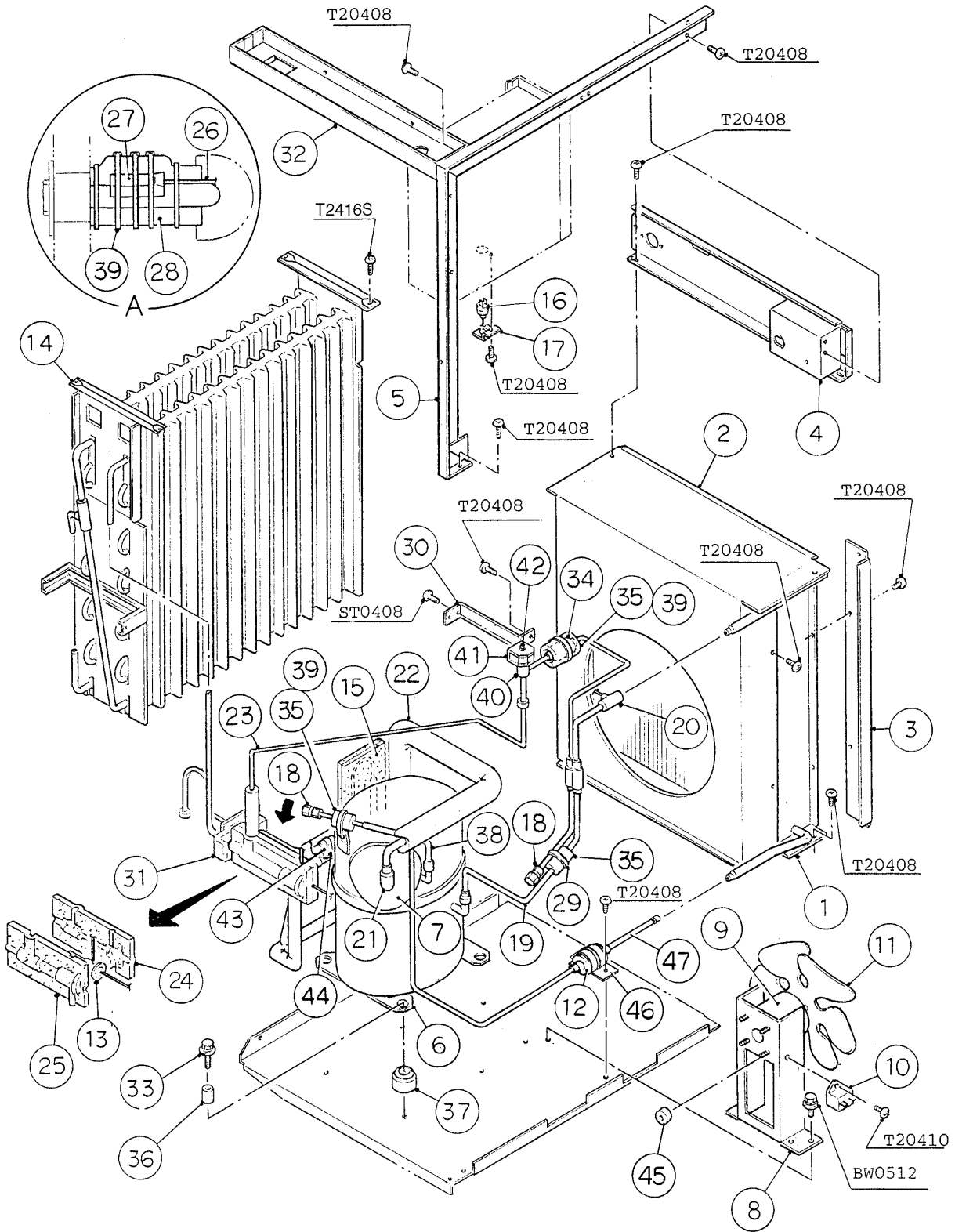
HA

KM-800MAE

B. REFRIGERATION CIRCUIT

C-2, D-0, E-0, E-1, F-0



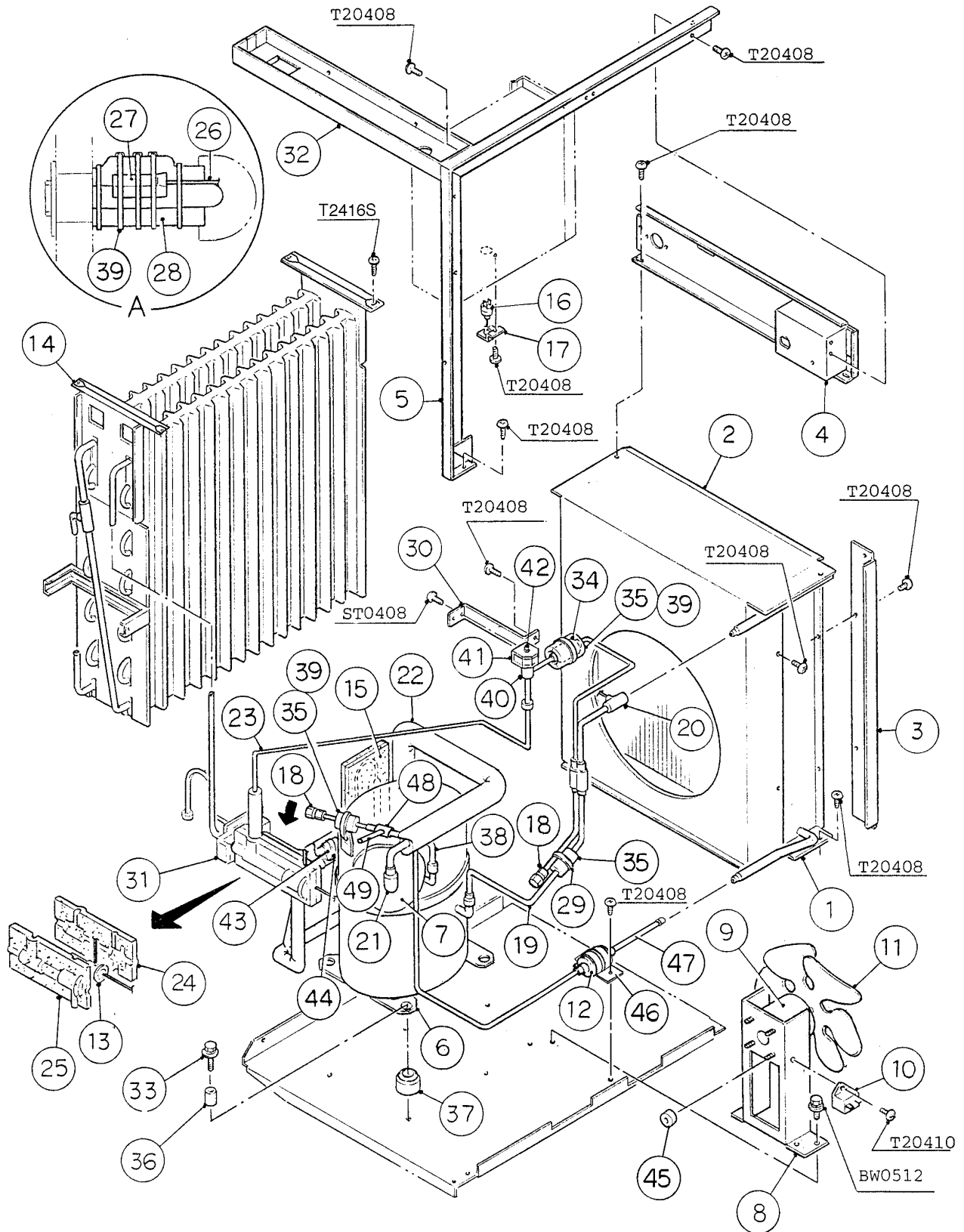


HA

KM-800MAE

B. REFRIGERATION CIRCUIT

G-1, H-0, H-1, H-2, H-3, H-4, J-0

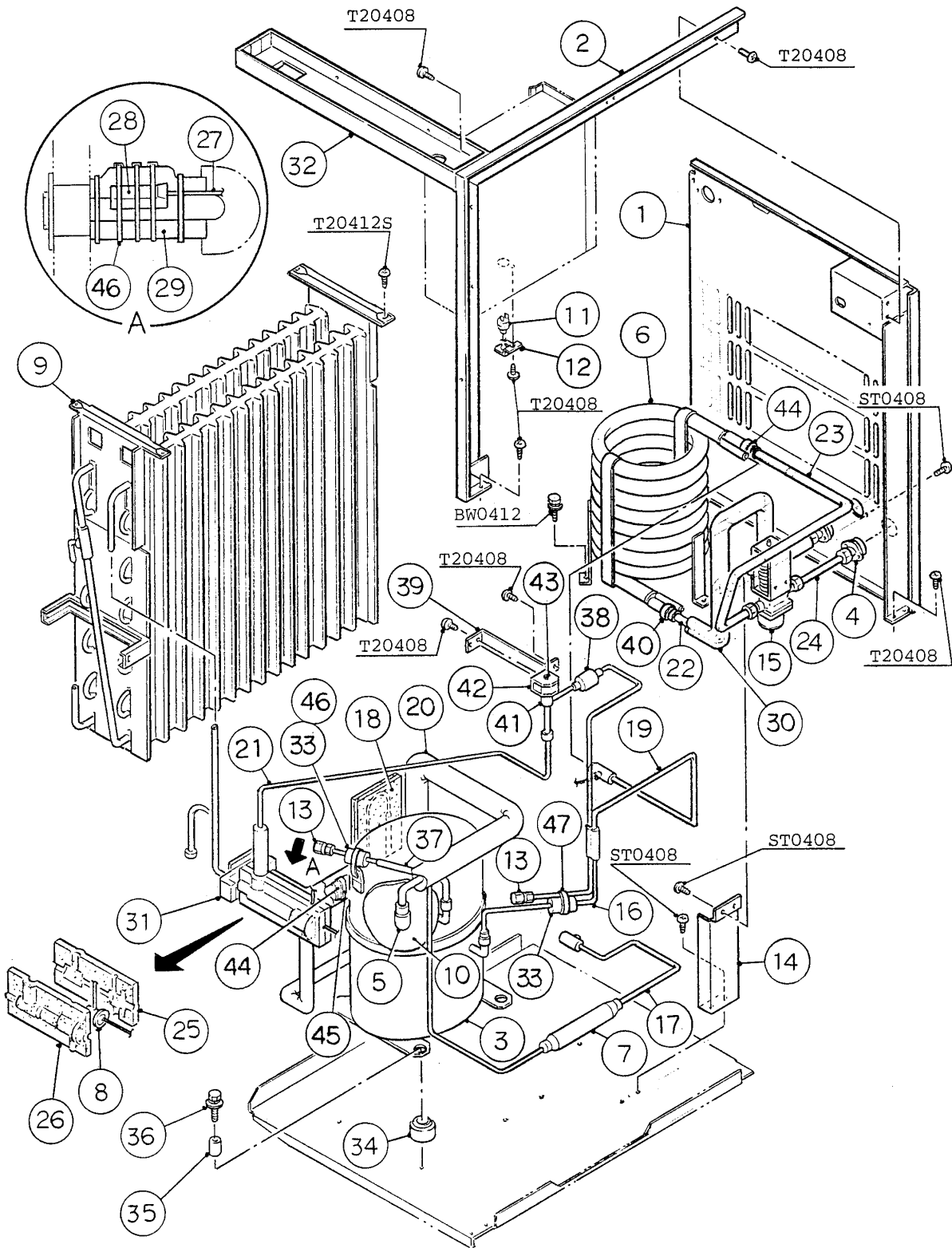


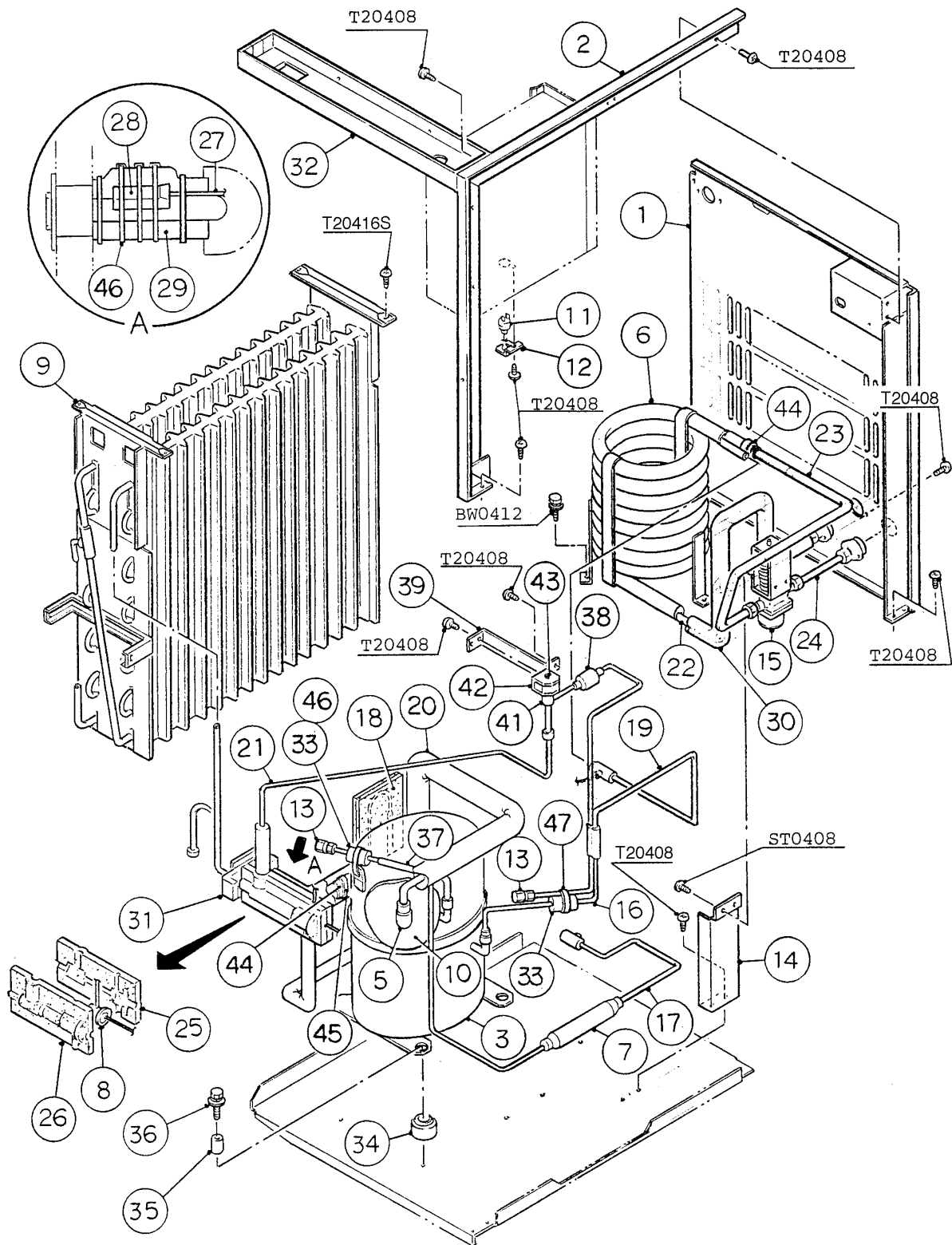
MODEL: KM-800MAE TITLE: B. REFRIGERATION CIRCUIT													
INDEX NO.	DESCRIPTION	MATERIAL OR MODEL	PART NUMBER	REQUIRED NUMBER									
				C-0	C-1	C-2 D-0 E-0	E-1	F-0	F-1	G-0	G-1	H-0 H-1 H-2	H-3 H-4 J-0
1	CONDENSER	-	212591-01	1	1	1	1	1	1	1	1	1	1
2	SHROUD	GS	212622-01	1	1	1	1	1	1	1	1	1	1
3	BARRIER	GS	434937-01	1	1	1	1	1	1	1	1	1	1
4	REAR PANEL	GS	322626G05	1	-								
		GS	322626G06		1	1	-						
		GS	322626G07				1	1	1	1	1	1	1
5	SIDE FRAME	GS	212611G01	1	1	1	1	1	x1				
		GS	214871G02						o1	1	1	1	1
6	COMPRESSOR	CR30K6-PFV	443304-01	1	1	1	1	1	1	1	1	1	1
7	INSULATION - COMPRESSOR	PE FOAM	443303-01	1	1	1	1	1	1	1	1	1	1
8	FAN MOTOR BRACKET	GS	327180-01	1	1	1	1	1	1	1	1	1	1
9	FAN MOTOR	U90B1, 7190-1031	440911-01	1	1	1	1	1	1	1	1	1	1
10	CAPACITOR	5MFD, 250V	443192-02	1	1	1	1	1	1	1	1	1	1
11	FAN BLADE	12-CW-1N- 5/16-25	4A0197-01	1	1	1	1	1	1	1	1	1	1
12	DRIER	KC-7071	427061-02	1	1	1	1	1	x1				
		C-0325-S	445007-01						o1	1	1	1	1
13	EXPANSION VALVE	HFE- E20HHDU-01	443981-01	1	1	1	1	1	1	1	1	1	1
14	EVAPORATOR	-	104407G01	1	-								
		-	1A0050G01		1	1	1	1	1	1	1	1	1
15	INSULATION - CAPILLARY	PE FOAM	443853-01	3	3	3	3	2	2	2	2	2	2
16	PRESSURE SWITCH	ACB-2UB04	433441-05	1	1	1	1	1	1	1	1	1	1
17	PRESSURE SWITCH BRACKET	GS	434938-01	1	1	1	1	1	1	1	1	1	1
18	ACCESS VALVE	TCJ-2F15-HD	417366-01	2	2	2	2	2	2	2	2	2	2
19	COPPER TUBE (A) - HIGH SIDE	COPPER	218380G01	1	1	1	1	1	1	1	1	1	1
20	COPPER TUBE (B) - HIGH SIDE	COPPER	434968G01	1	1	1	1	1	1	1	1	1	1

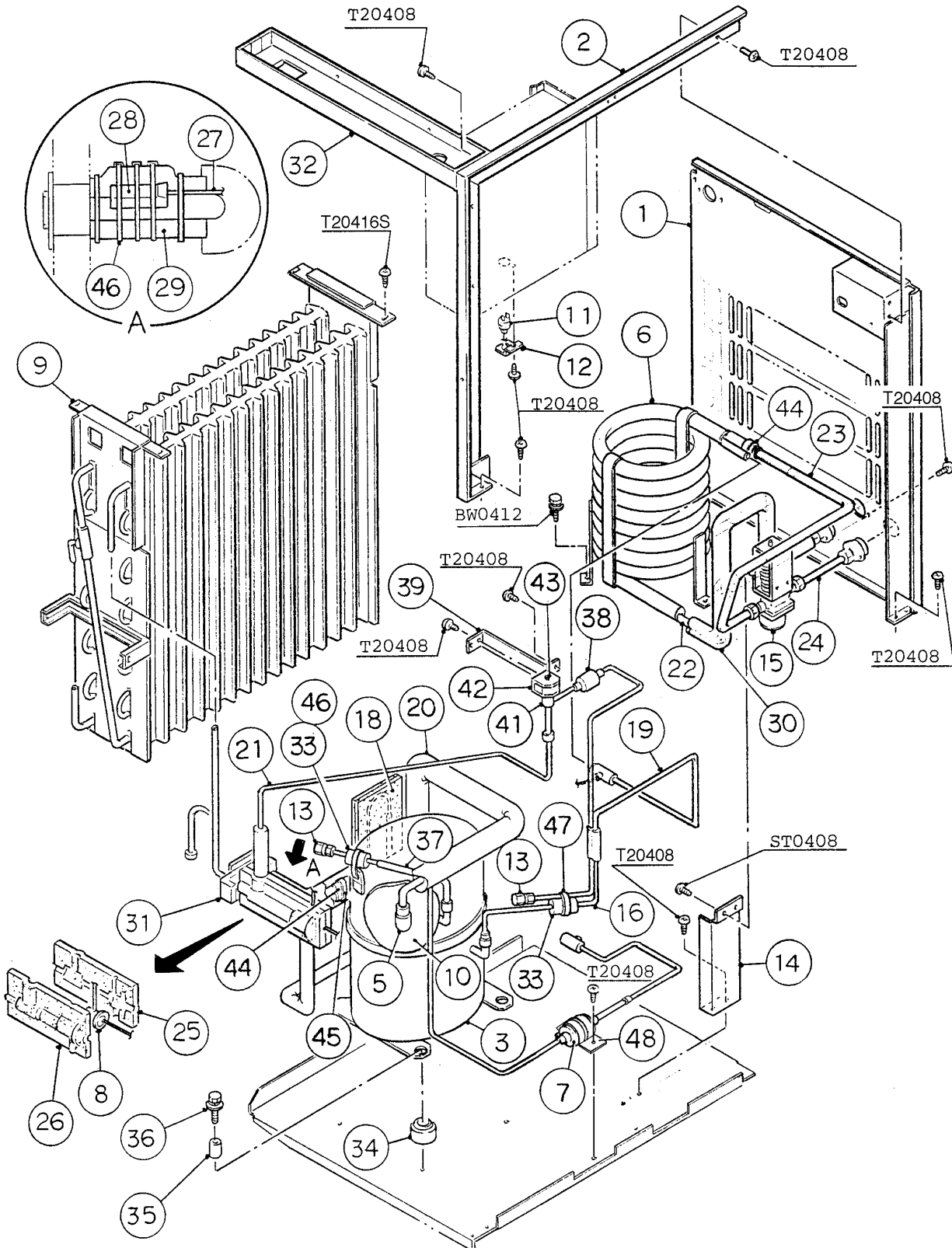
MODEL: KM-800MAE TITLE: B. REFRIGERATION CIRCUIT													
INDEX NO.	DESCRIPTION	MATERIAL OR MODEL	PART NUMBER	REQUIRED NUMBER									
				C-0	C-1	C-2	E-1	F-0	F-1	G-0	G-1	H-0	H-3
						D-0						H-1	H-4
						E-0					H-2	J-0	
21	ELBOW	COPPER	434962-01	1	1	1	1	1	1	1	1	1	1
22	HEAT EXCHANGER	-	106087G01	1	1	1	1	1	x1				
		-	106088G01						o1	1	1	1	1
23	COPPER TUBE - LOW SIDE	COPPER	322655G01	1	1	1	1	1	1	1	1	1	1
24	EXP. VALVE COVER (A)	PE FOAM	322621-01	1	1	1	1	1	1	1	1	1	1
25	EXP. VALVE COVER (B)	PE FOAM	322621-02	1	1	1	1	1	1	1	1	1	1
26	THERMISTOR	-	429006-03	1	1	1	1	1	1	1	1	1	1
27	HOLDER - THERMISTOR	COPPER	427430-01	1	1	1	1	1	1	1	1	1	1
28	INSULATION - THERMISTOR	PE FOAM	427441-01	1	1	1	1	1	1	1	1	1	1
29	TIE	CV-150	7920-0003	1	1	1	1	1	1	1	1	1	1
30	HOT GAS VALVE BRACKET	GS	434916-01	1	1	1	1	1	1	1	1	1	1
31	INSULATED RUBBER TUBE	EPDM, PE FOAM	434948G01	1	1	1	1	1	1	1	1	1	1
32	TOP FRAME	GS	325937G01	1	x1								
		GS	325938-01		o1	1	1	1	1	1	1	1	1
33	BOLT	8x45	437889-01	4	4	4	4	4	4	4	4	4	4
34	STRAINER	-	441569-02	1	1	1	1	1	1	1	1	1	1
35	INSULATION TUBE	L=40	7762-1020	3	3	3	3	3	3	3	3	3	3
36	SPACER	028-0188-02	434921-01	4	4	4	4	4	4	4	4	4	4
37	GROMMET	027-0167-00	434922-01	4	4	4	4	4	4	4	4	4	4
38	COPPER TUBE - ACCESS VALVE	COPPER	443484-01	1	1	1	1	1	1	1	1	1	1
39	TIE	CV-200	7920-0010	7	7	7	7	7	7	7	7	7	7
40	VALVE BODY	70	440352-01	1	1	1	1	1	1	1	1	1	1
41	COIL - VALVE	ABS-25-1-HD-2	440353-01	1	1	1	1	1	1	1	1	1	1
42	BOLT	4x6	440353F01	1	1	1	1	1	1	1	1	1	1
43	HOLDER / EXP. VALVE - 3/8	SS	3A0107-01	1	1	1	1	1	1	1	1	1	1
44	CLAMP	SS	443461-02	1	1	1	1	1	1	1	1	1	1

HA

MODEL: KM-800MAE TITLE: B. REFRIGERATION CIRCUIT													
INDEX NO.	DESCRIPTION	MATERIAL OR MODEL	PART NUMBER	REQUIRED NUMBER									
				C-0	C-1	C-2	E-1	F-0	F-1	G-0	G-1	H-0	H-3
45	SELF-LOCKING NUT	SS	7N21I0832			4	4	4	4	4	4	4	4
46	DRIER BRACKET	GS	4A0807-01				1	1	1	1	1	1	1
47	COPPER TUBE (D) HIGH SIDE	COPPER	322655G01				1	1	1	1	1	1	1
48	TEE	COPPER	436000-13								1	1	1
49	EVACUATION TUBE	COPPER	4A1212-01								1	1	1





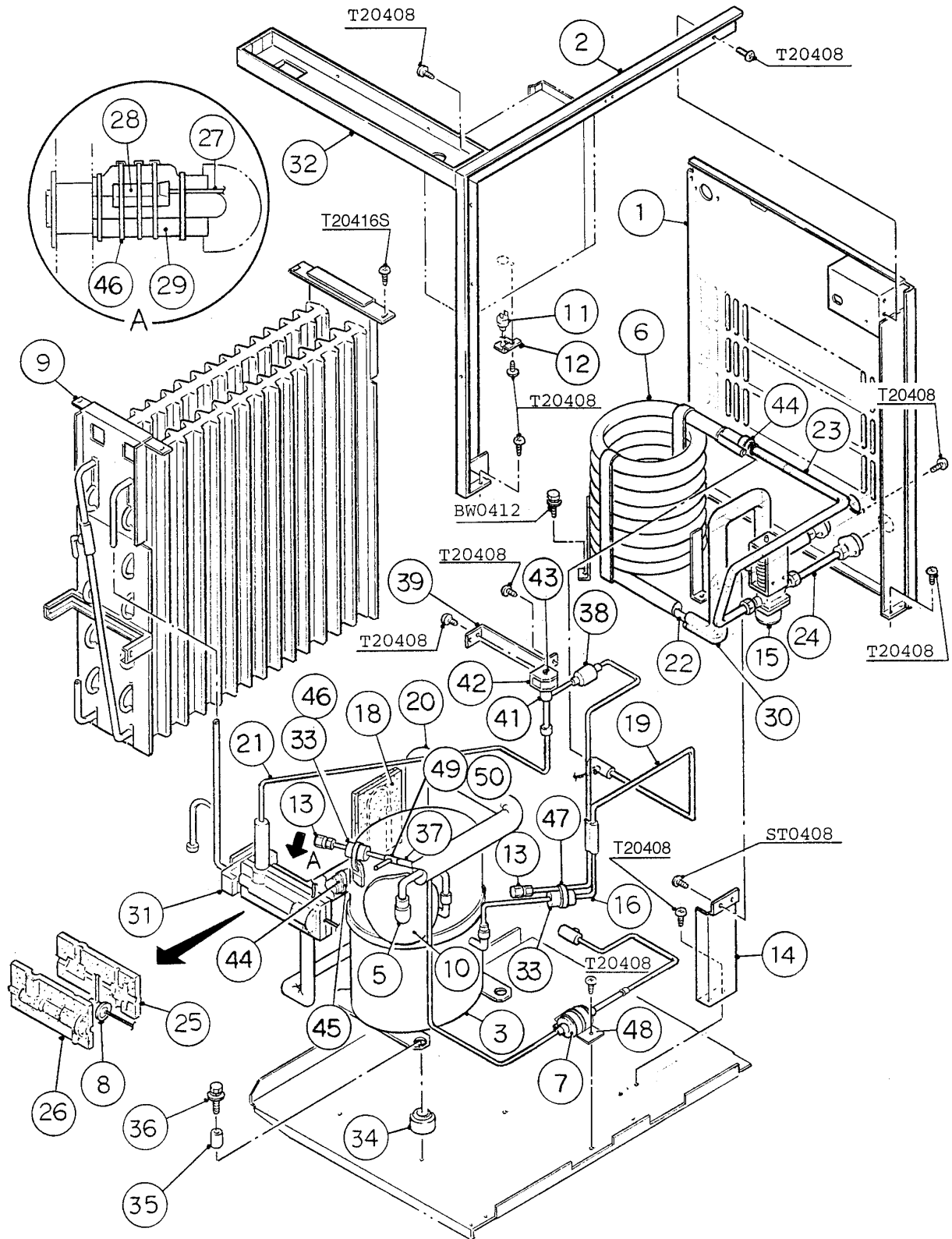


HA

KM-800MWE

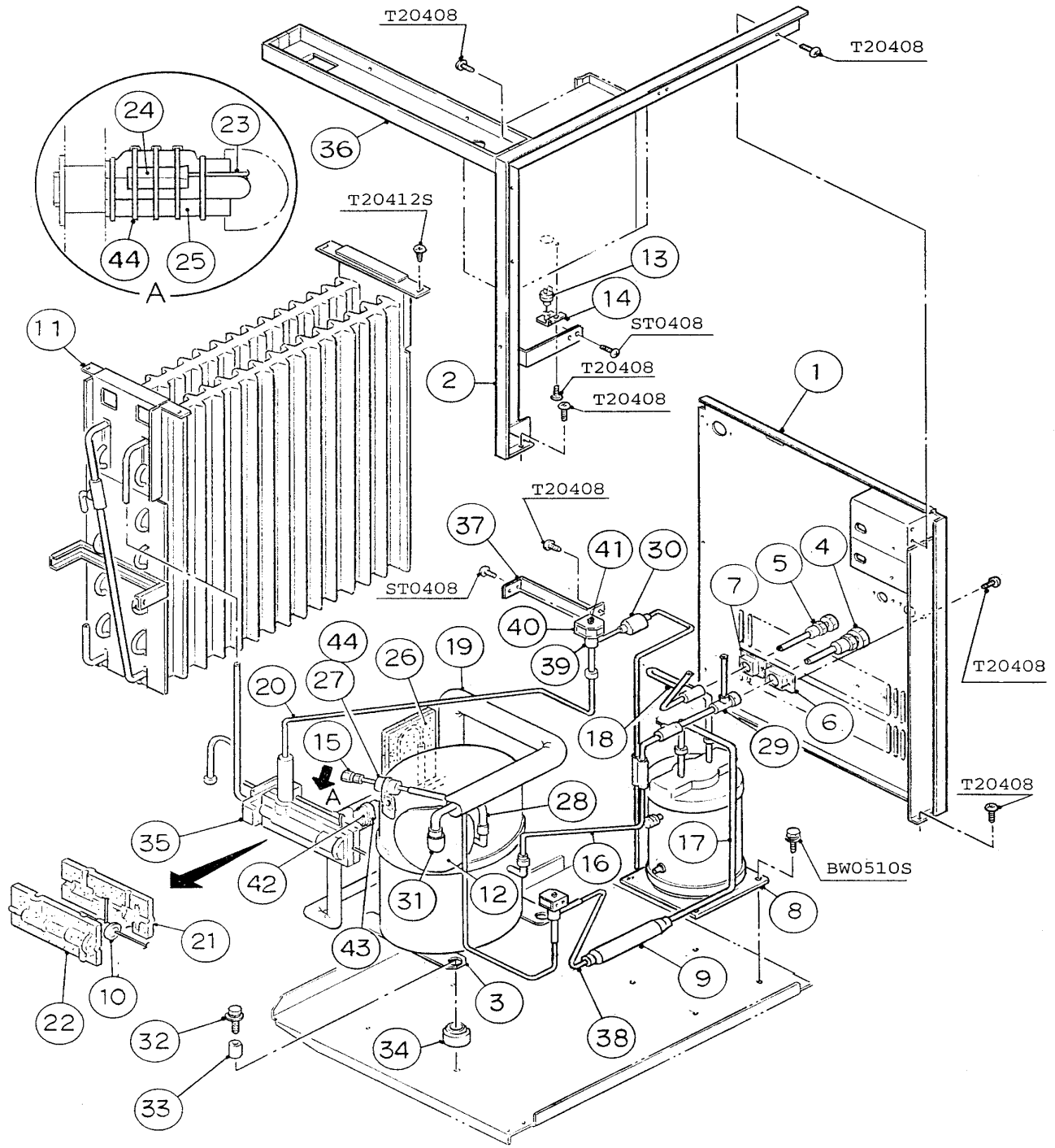
B. REFRIGERATION CIRCUIT

G-1, H-0, H-1, H-2, J-0



MODEL: KM-800MWE TITLE: B. REFRIGERATION CIRCUIT													
INDEX NO.	DESCRIPTION	MATERIAL OR MODEL	PART NUMBER	REQUIRED NUMBER									
				C-0	C-1	C-2	D-0 E-0	E-1	F-0	F-1 G-0	G-1	H-0 H-1	H-2 J-0
1	REAR PANEL	GS	212624G05	1	1	-							
		GS	212624G06			1	1	-					
		GS	212624G07					1	1	1	1	1	1
2	SIDE FRAME	GS	212611G01	1	1	1	1	1	1	x1			
		GS	214871G02								o1	1	1
3	COMPRESSOR	CR30K6-PFV	443304-01	1	1	1	1	1	1	1	1	1	1
4	FITTING	BC6	319972-01	2	2	-							
5	ELBOW	COPPER	434962-01	1	1	1	1	1	1	1	1	1	1
6	CONDENSER - WATER-COOLED	(S-0725)	435097-01	1	1	1	1	1	1	1	1	1	1
7	DRIER	KC-7071	427061-02	1	1	1	1	1	1	x1			
		-	445007-01								o1	1	1
8	EXPANSION VALVE	HFE-E20HHDU-01	443981-01	1	1	1	1	1	1	1	1	1	1
9	EVAPORATOR	-	104407G01	1	-								
		-	1A0050G01		1	1	1	1	1	1	1	1	1
10	INSULATION - COMPRESSOR	PE FOAM	443303-01	1	1	1	1	1	1	1	1	1	1
11	PRESSURE SWITCH	ACB-2UB02	433441-01	1	1	1	1	1	1	1	1	1	1
12	PRESSURE SWITCH BRACKET	GS	434938-01	1	1	1	1	1	1	1	1	1	1
13	ACCESS VALVE	TCJ-2F15-HD	417366-01	2	2	2	2	2	2	2	2	2	2
14	WATER REGULATOR BRACKET	GS	434953-01	1	1	1	1	1	1	1	1	1	1
15	WATER REGULATOR	WV-4RHD-1	433996-01	1	1	1	1	1	1	1	1	1	1
16	COPPER TUBE (A) - HIGH SIDE	COPPER	218379G02	1	1	1	1	1	1	1	1	1	1
17	COPPER TUBE (C) - HIGH SIDE	COPPER	444599G01	1	1	1	1	1	1	1	1	1	1
18	INSULATION - CAPILLARY	PE FOAM	443853-01	3	3	3	3	2	2	2	2	2	2
19	COPPER TUBE (B) - HIGH SIDE	COPPER	330388G01	1	1	1	1	1	1	1	1	1	1
20	HEAT EXCHANGER	COPPER	106088G01	1	1	1	1	1	1	1	1	1	1
21	COPPER TUBE - LOW SIDE	COPPER	322655G01	1	1	1	1	1	1	1	1	1	1

MODEL: KM-800MWE TITLE: B. REFRIGERATION CIRCUIT														
INDEX NO.	DESCRIPTION	MATERIAL OR MODEL	PART NUMBER	REQUIRED NUMBER										
				C-0	C-1	C-2	D-0	E-0	E-1	F-0	F-1	G-0	G-1	H-0
22	COPPER TUBE (A)	COPPER	330387G01	1	-									
		COPPER	4A0214G01		1	1	1	-						
		COPPER	4A0767G01					1	1	1	1			
23	COPPER TUBE (B)	COPPER	444601-01	1	1	1	1	1	1	1	1	1	1	
24	COPPER TUBE (C)	COPPER	434973G01	1	-									
		COPPER	4A0211G01		1	1	1	1	-					
		COPPER	4A0765G01						1	1	1	1	1	
25	EXP. VALVE COVER (A)	PE FOAM	322621-01	1	1	1	1	1	1	1	1	1	1	
26	EXP. VALVE COVER (B)	PE FOAM	322621-02	1	1	1	1	1	1	1	1	1	1	
27	THERMISTOR	-	429006-03	1	1	1	1	1	1	1	1	1	1	
28	HOLDER - THERMISTOR	COPPER	427430-01	1	1	1	1	1	1	1	1	1	1	
29	INSULATION - THERMISTOR	PE FOAM	427441-01	1	1	1	1	1	1	1	1	1	1	
30	INSULATION TUBE	L=700	7762-1626	1	1	1	1	1	1	1	1	1	1	
31	INSULATED RUBBER TUBE	EPDM, PE FOAM	434948G01	1	1	1	1	1	1	1	1	1	1	
32	TOP FRAME	GS	325937G01	1	1	-								
		GS	325938-01			1	1	1	1	1	1	1	1	
33	INSULATION TUBE	L=40	7762-1020	2	2	2	2	2	2	2	2	2	2	
34	GROMMET	027-0167-00	434922-01	4	4	4	4	4	4	4	4	4	4	
35	SPACER	028-0188-02	434921-01	4	4	4	4	4	4	4	4	4	4	
36	BOLT	8x45	437889-01	4	4	4	4	4	4	4	4	4	4	
37	COPPER TUBE - ACCESS VALVE	COPPER	443484-01	1	1	1	1	1	1	1	1	1	1	
38	STRAINER	-	441569-02	1	1	1	1	1	1	1	1	1	1	
39	HOT GAS VALVE BRACKET	GS	434916-01	1	1	1	1	1	1	1	1	1	1	
40	REDUCER	101R-86	436001-01	2	2	2	-							
41	VALVE BODY	70	440352-01	1	1	1	1	1	1	1	1	1	1	
42	COIL - VALVE	ABS-25-1-HD-2	440353-01	1	1	1	1	1	1	1	1	1	1	
43	BOLT	4x6	440353F01	1	1	1	1	1	1	1	1	1	1	

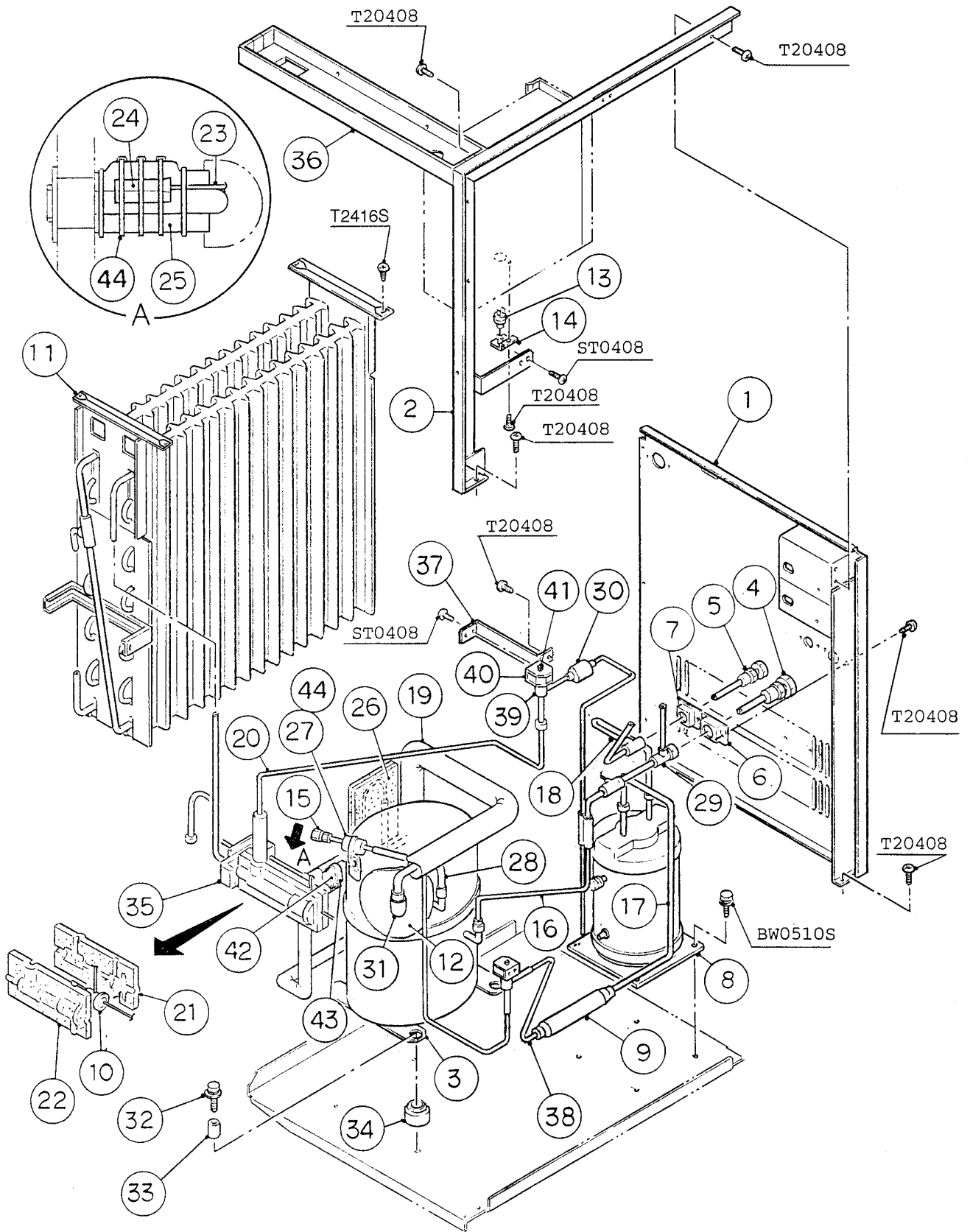


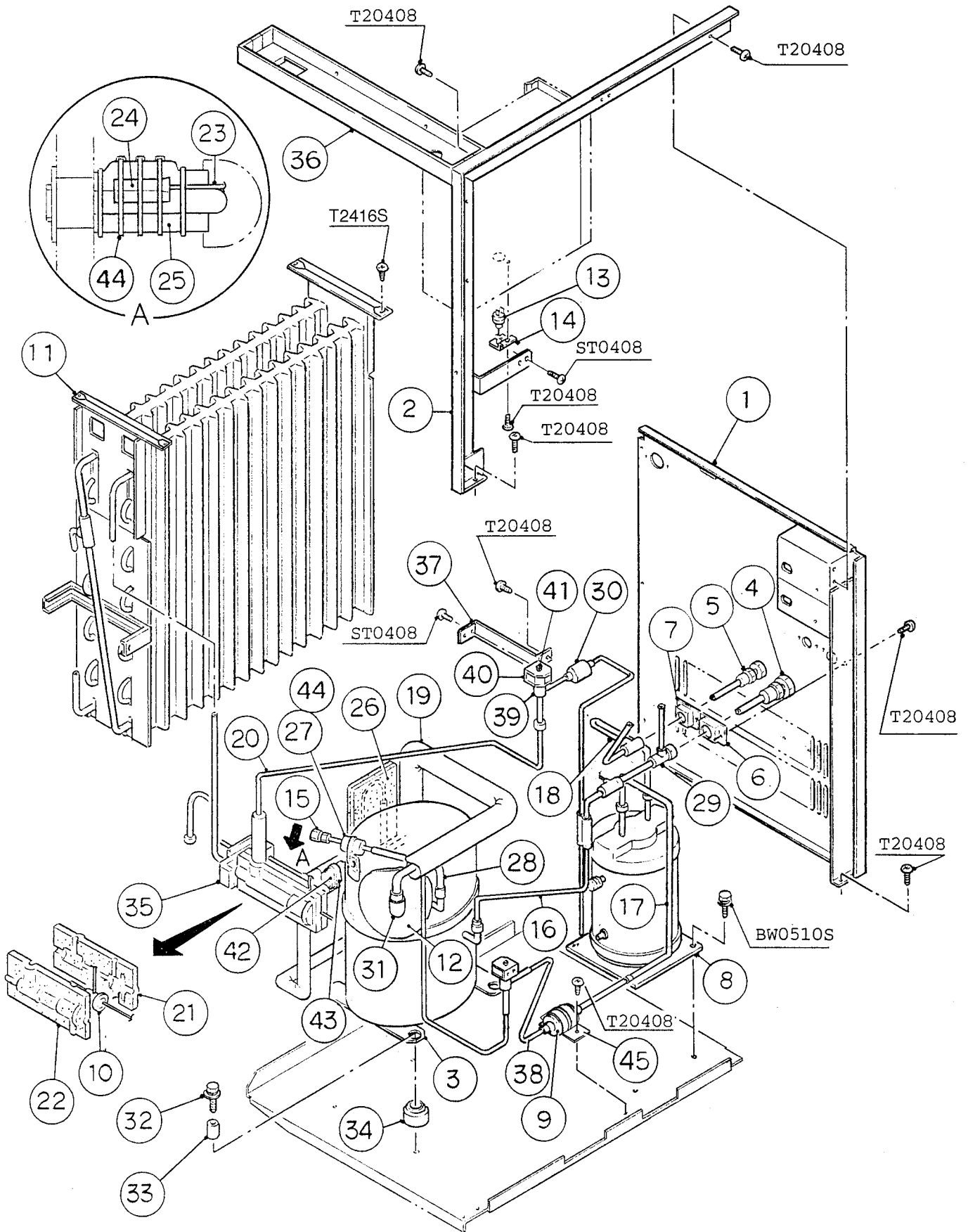
HA

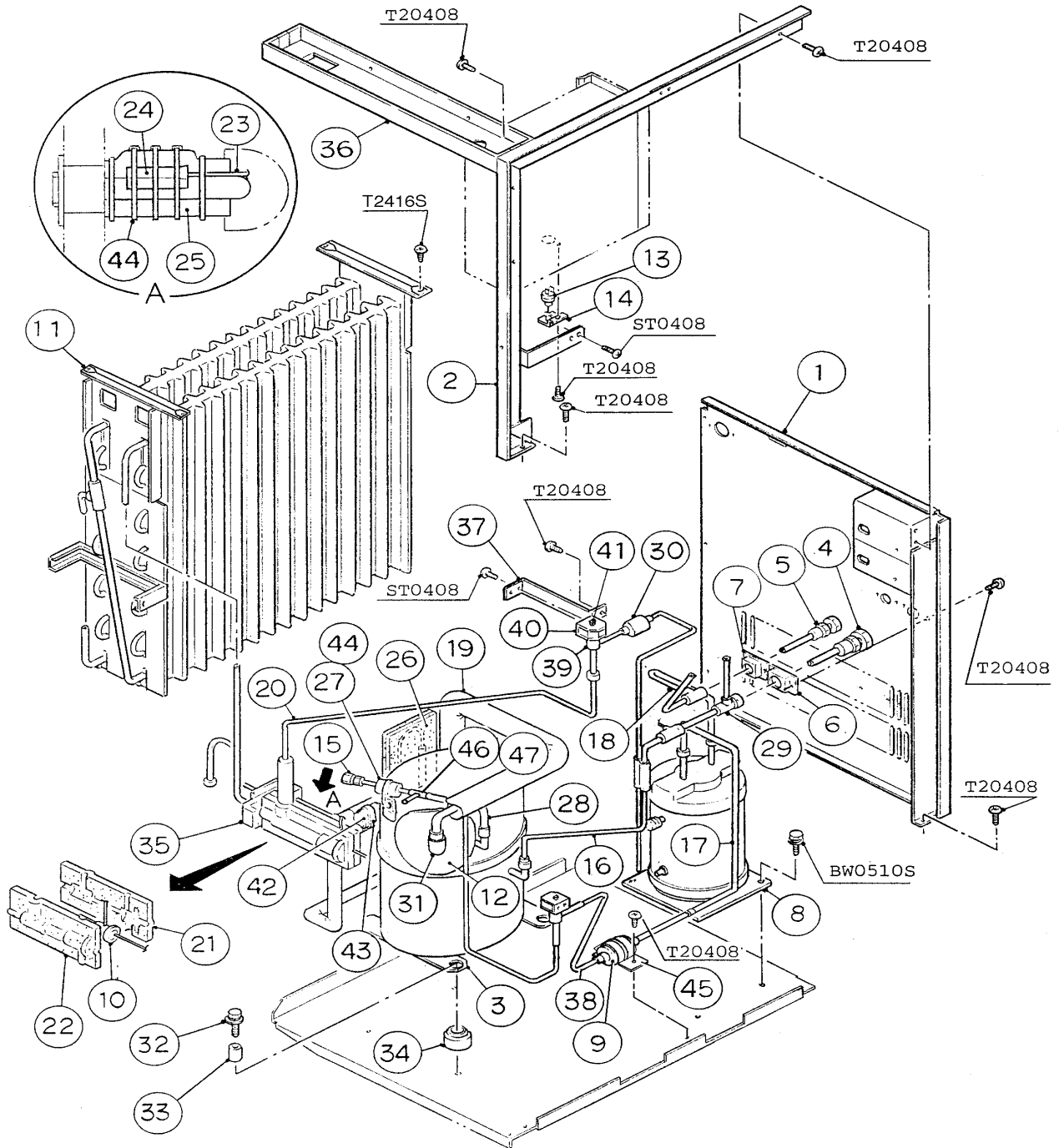
KM-800MRE

B. REFRIGERATION CIRCUIT

C-1, C-2, D-0, E-0, E-1, F-0

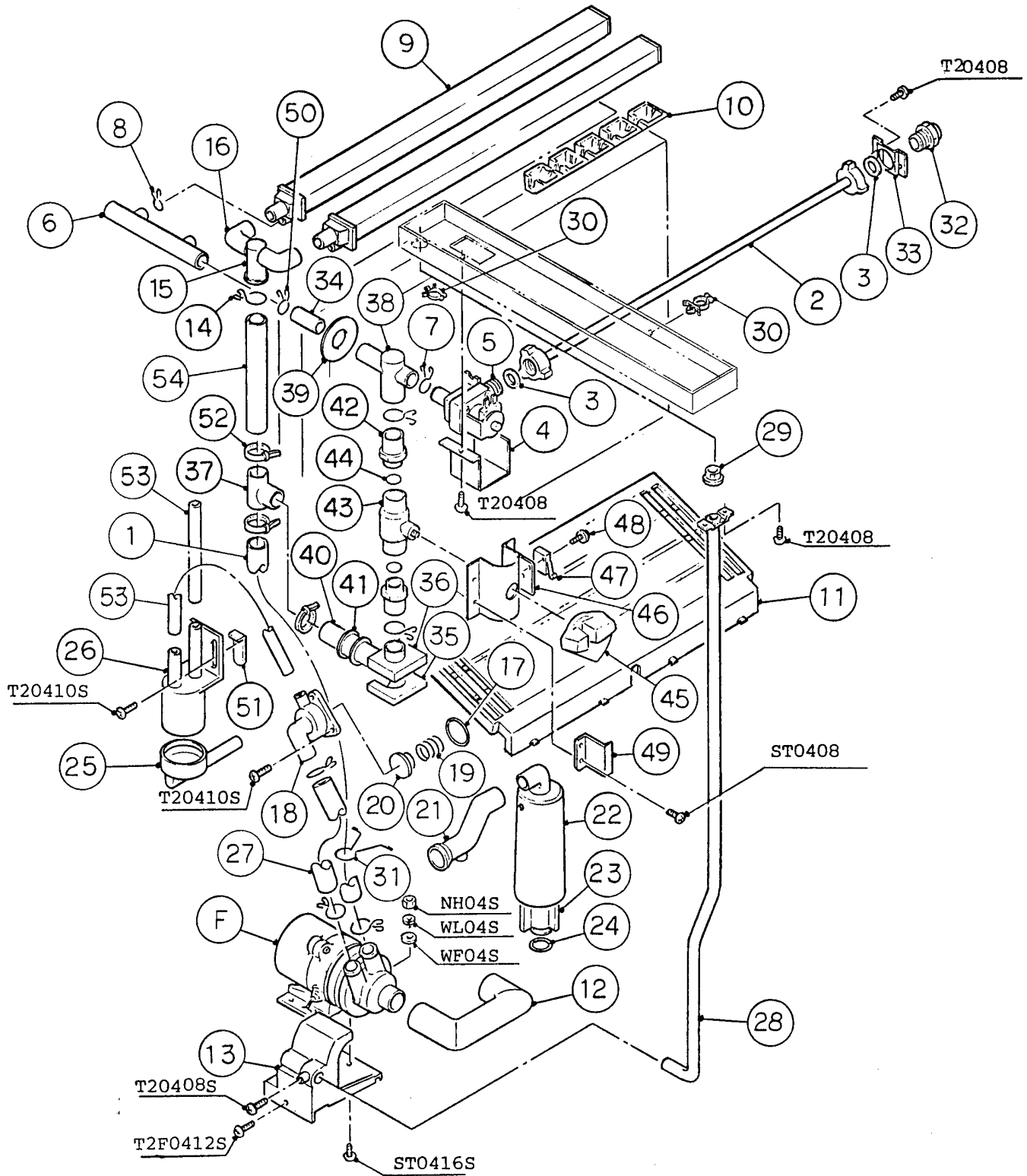


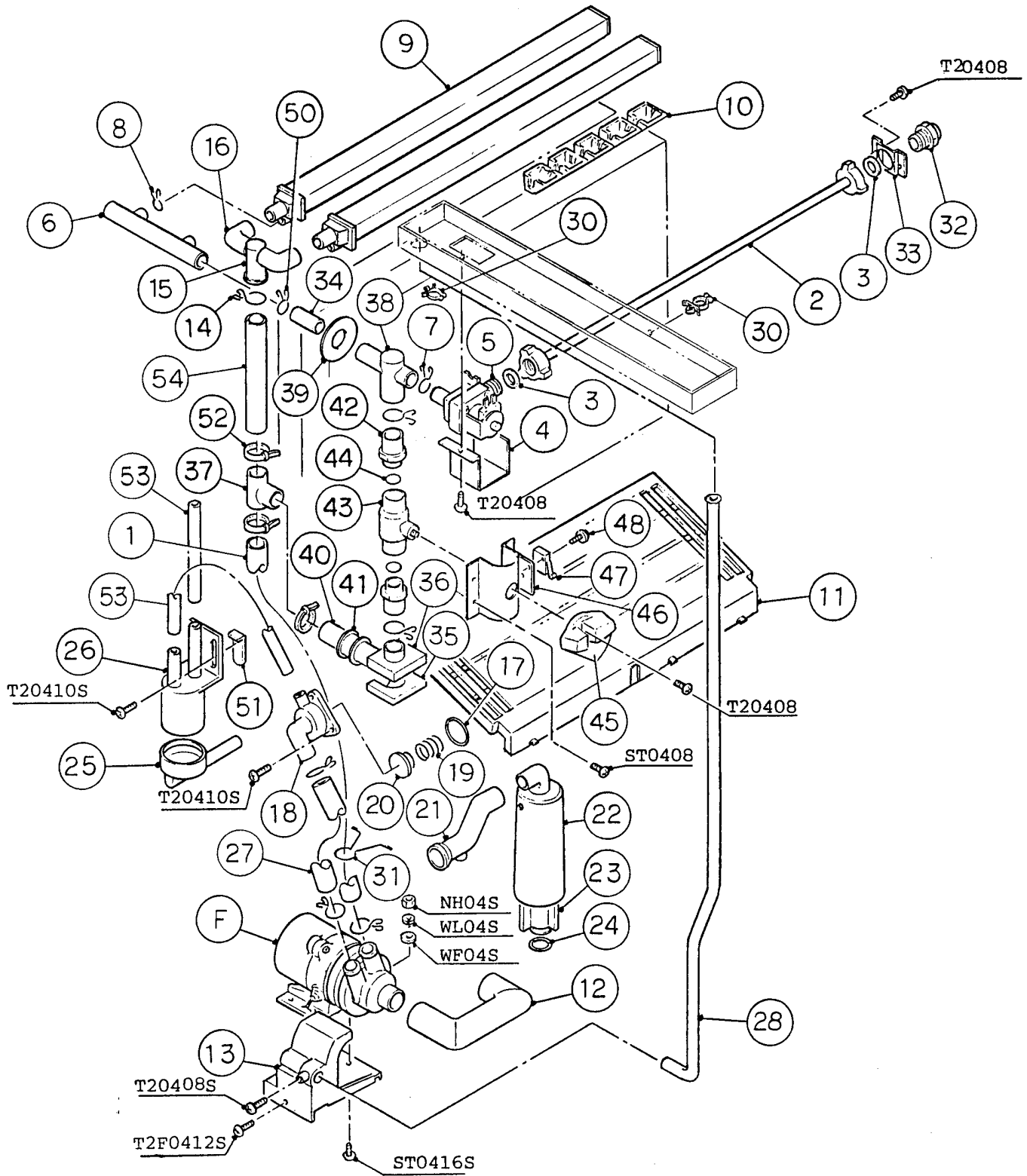


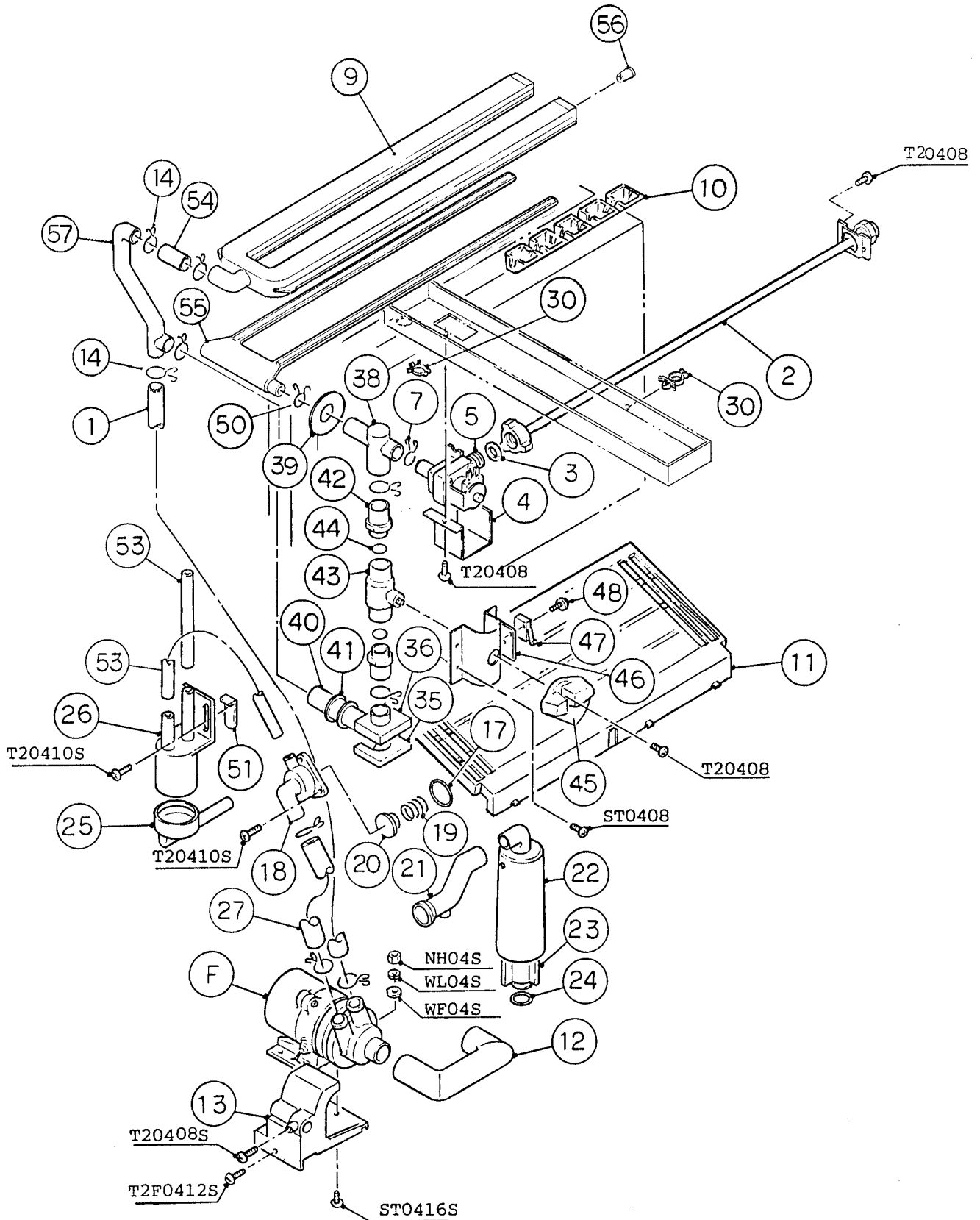


MODEL: KM-800MRE TITLE: B. REFRIGERATION CIRCUIT													
INDEX NO.	DESCRIPTION	MATERIAL OR MODEL	PART NUMBER	REQUIRED NUMBER									
				C-0	C-1	C-2 D-0	E-0	E-1	F-0	F-1	G-0 G-1	H-0 H-1	H-2 J-0
1	REAR PANEL	GS	212626G05	1	-								
		GS	212626G06		1	1	1	-					
		GS	212626G08					1	1	1	1	1	1
2	SIDE FRAME	GS	214871G01	1	1	1	1	1	1	1	1	1	1
3	COMPRESSOR	CR30K6-RFV	443304-02	1	1	1	1	1	1	1	1	1	1
4	COUPLING	COPPER	434136G02	1	1	1	1	1	1	1	1	1	1
5	COUPLING	COPPER	433751G01	1	1	1	1	1	1	1	1	1	1
6	TUBE HOLDER (L)	GS	438245-01	1	1	1	1	1	1	1	1	1	1
7	TUBE HOLDER (S)	GS	438246-01	1	1	1	1	1	1	1	1	1	1
8	RECEIVER TANK	PR MN	437652-01	1	1	1	1	1	1	1	1	1	1
9	DRIER	KC-7071	427061-02	1	1	1	1	1	1	x1			
		-	445007-01							o1	1	1	1
10	EXPANSION VALVE	HFE- E20HHDU-01	443981-01	1	1	1	1	1	1	1	1	1	1
11	EVAPORATOR	-	104407G01	1	-								
		-	1A0050G01		1	1	1	1	1	1	1	1	1
12	INSULATION - COMPRESSOR	PE	443303-01	1	1	1	1	1	1	1	1	1	1
13	PRESSURE SWITCH	ACB-2UB04	433441-05	1	1	1	1	1	1	1	1	1	1
14	PRESSURE SWITCH BRACKET	GS	434938-01	1	1	1	1	1	1	1	1	1	1
15	ACCESS VALVE	TCJ-2F15-HD	417366-01	1	1	1	1	1	1	1	1	1	1
16	COPPER TUBE (A) - HIGH SIDE	COPPER	218379G01	1	1	1	1	1	1	1	1	1	1
17	COPPER TUBE (D) - HIGH SIDE	COPPER	434974-01	1	1	1	1	1	1	1	1	1	1
18	COPPER TUBE (C) - HIGH SIDE	COPPER	322658G01	1	1	1	1	1	1	1	1	1	1
19	HEAT EXCHANGER	COPPER	106089G01	1	1	1	1	1	1	1	1	1	1
20	COPPER TUBE - LOW SIDE	COPPER	322655G01	1	1	1	1	1	1	1	1	1	1
21	EXP. VALVE COVER (A)	PE FOAM	322621-01	1	1	1	1	1	1	1	1	1	1
22	EXP. VALVE COVER (B)	PE FOAM	322621-02	1	1	1	1	1	1	1	1	1	1
23	THERMISTOR	-	429006-03	1	1	1	1	1	1	1	1	1	1

MODEL: KM-800MRE TITLE: B. REFRIGERATION CIRCUIT													
INDEX NO.	DESCRIPTION	MATERIAL OR MODEL	PART NUMBER	REQUIRED NUMBER									
				C-0	C-1	C-2	D-0	E-0 E-1 F-0	F-1	G-0	G-1	H-0 H-1	H-2 J-0
24	HOLDER - THERMISTOR	COPPER	427430-01	1	1	1	1	1	1	1	1	1	1
25	INSULATION - THERMISTOR	PE FOAM	427441-01	1	1	1	1	1	1	1	1	1	1
26	INSULATION - CAPILLARY	PE FOAM	443853-01	3	3	3	3	2	2	2	2	2	2
27	INSULATION TUBE	L=40	7762-1020	1	1	1	1	1	1	1	1	1	1
28	COPPER TUBE - ACCESS VALVE	COPPER	443484-01	1	1	1	1	1	1	1	1	1	1
29	COPPER TUBE (B) - HIGH SIDE	COPPER	322657G01	1	1	1	1	1	1	1	1	1	1
30	STRAINER	-	441569-02	1	1	1	1	1	1	1	1	1	1
31	ELBOW	COPPER	434692-01	1	1	1	1	1	1	1	1	1	1
32	BOLT	8x45	437889-01	4	4	4	4	4	4	4	4	4	4
33	SPACER	028-0188-02	434921-01	4	4	4	4	4	4	4	4	4	4
34	GROMMET	027-0167-00	434922-01	4	4	4	4	4	4	4	4	4	4
35	INSULATED RUBBER TUBE	EPDM, PE FOAM	434948G01	1	1	1	1	1	1	1	1	1	1
36	TOP FRAME	GS	325937G01	1	1	-							
		GS	325938-01			1	1	1	1	1	1	1	1
37	HOT GAS VALVE BRACKET	GS	434916-01	1	1	1	1	1	1	1	1	1	1
38	COPPER TUBE (E) - HIGH SIDE	COPPER	325141-01	1	1	1	1	1	1	1	1	1	1
39	VALVE BODY	70	440352-01	2	2	2	2	2	2	2	2	2	2
40	COIL - VALVE	ABS-25-1-HD-2	440353-01	2	2	2	2	2	2	2	2	2	2
41	BOLT	4x6	440353F01	2	2	2	2	2	2	2	2	2	2
42	HOLDER / EXP. VALVE - 3/8	SS	3A0107-01	1	1	1	1	1	1	1	1	1	1
43	CLAMP	SS	443461-02	1	1	1	1	1	1	1	1	1	1
44	TIE	CV-200	7920-0010	6	6	6	6	6	6	6	6	6	6
45	DRIER BRACKET	GS	4A0807-01						1	1	1	1	1
46	EVACUATION TUBE	COPPER	4A1212-01								1	1	1
47	TEE	COPPER	436000-13								1	1	1





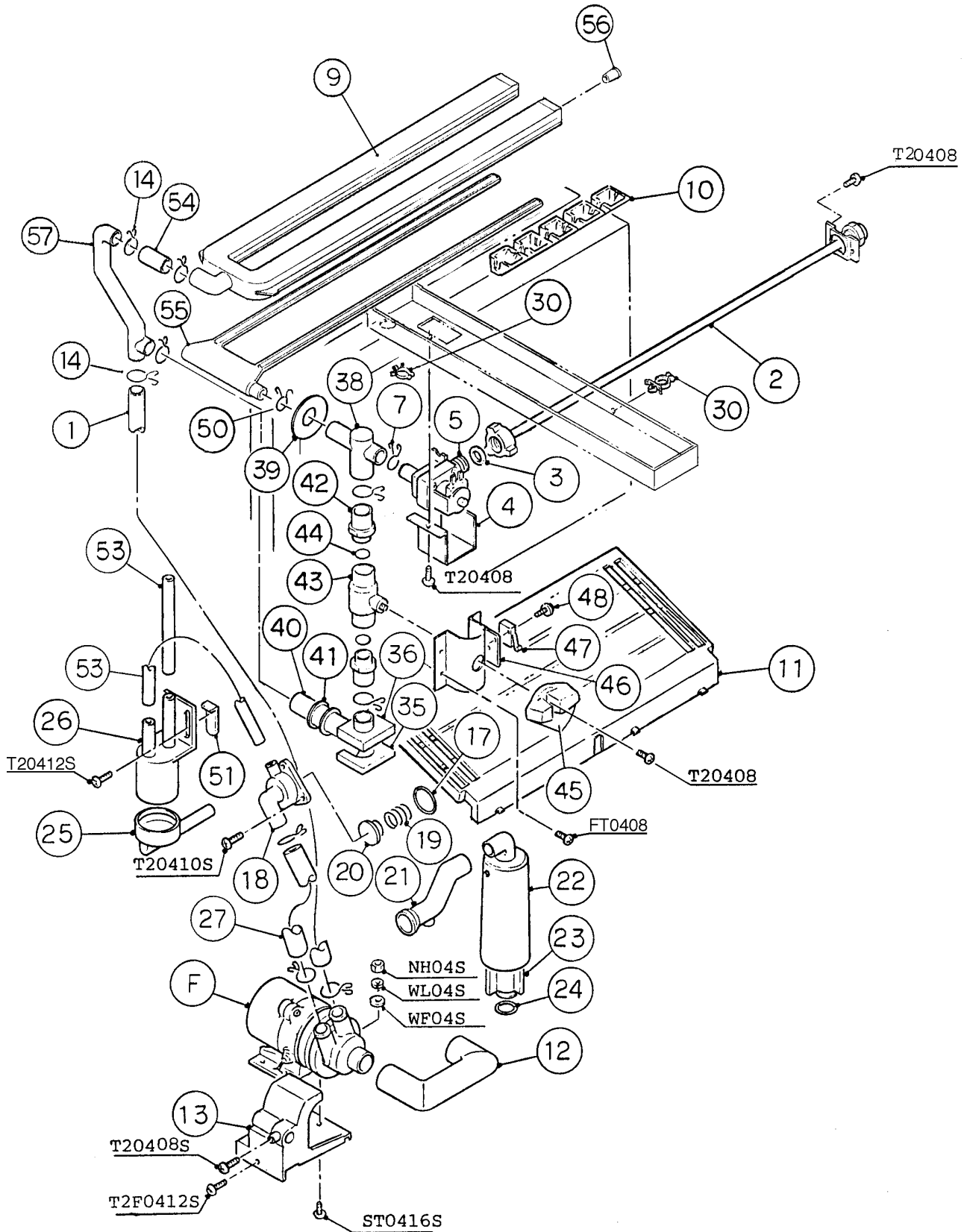


HA

KM-800MAE, MWE, MRE

C. WATER CIRCUIT

D-0, E-0, E-1, F-1, G-0, G-1, H-0

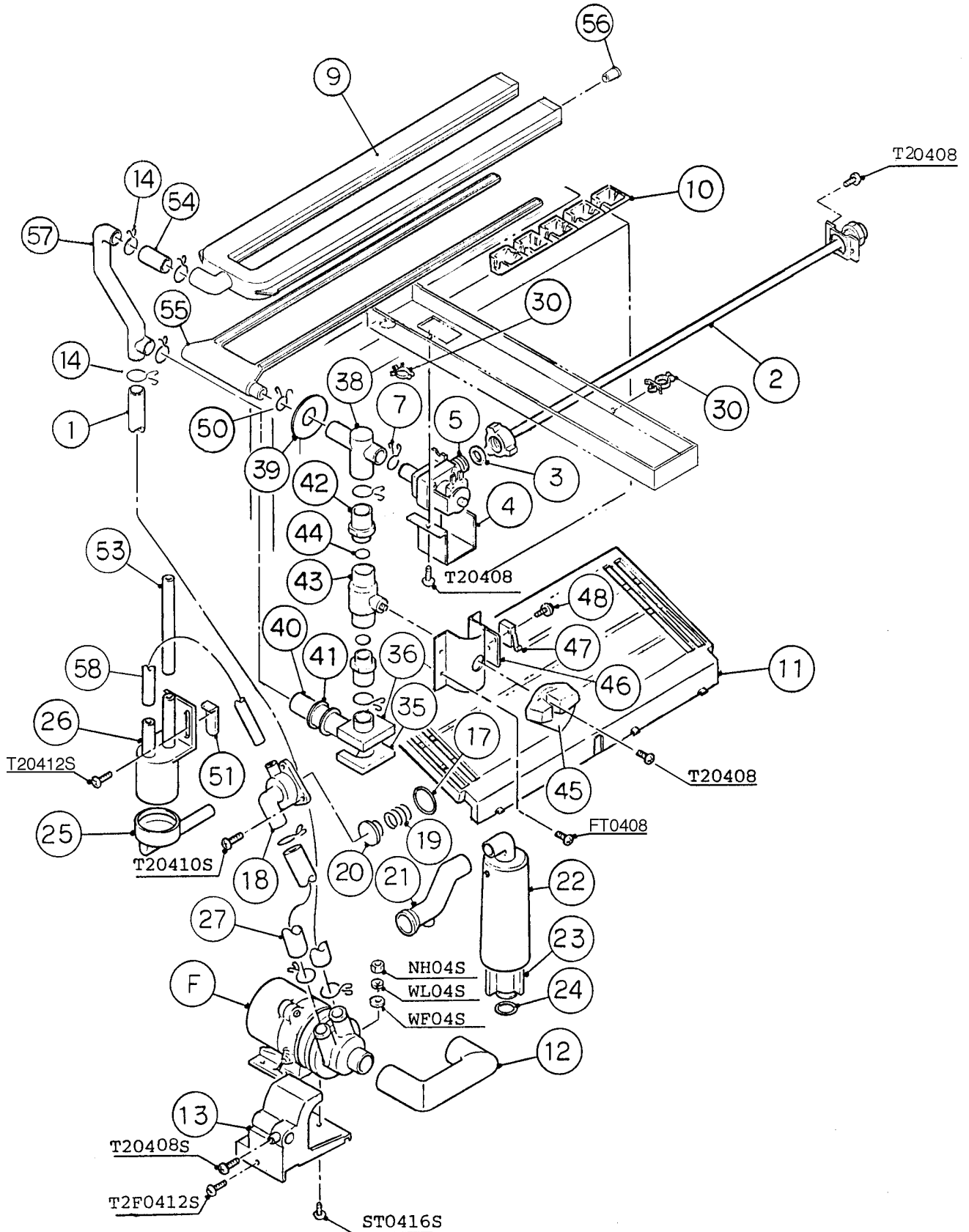


HA

KM-800MAE, MWE, MRE

C. WATER CIRCUIT

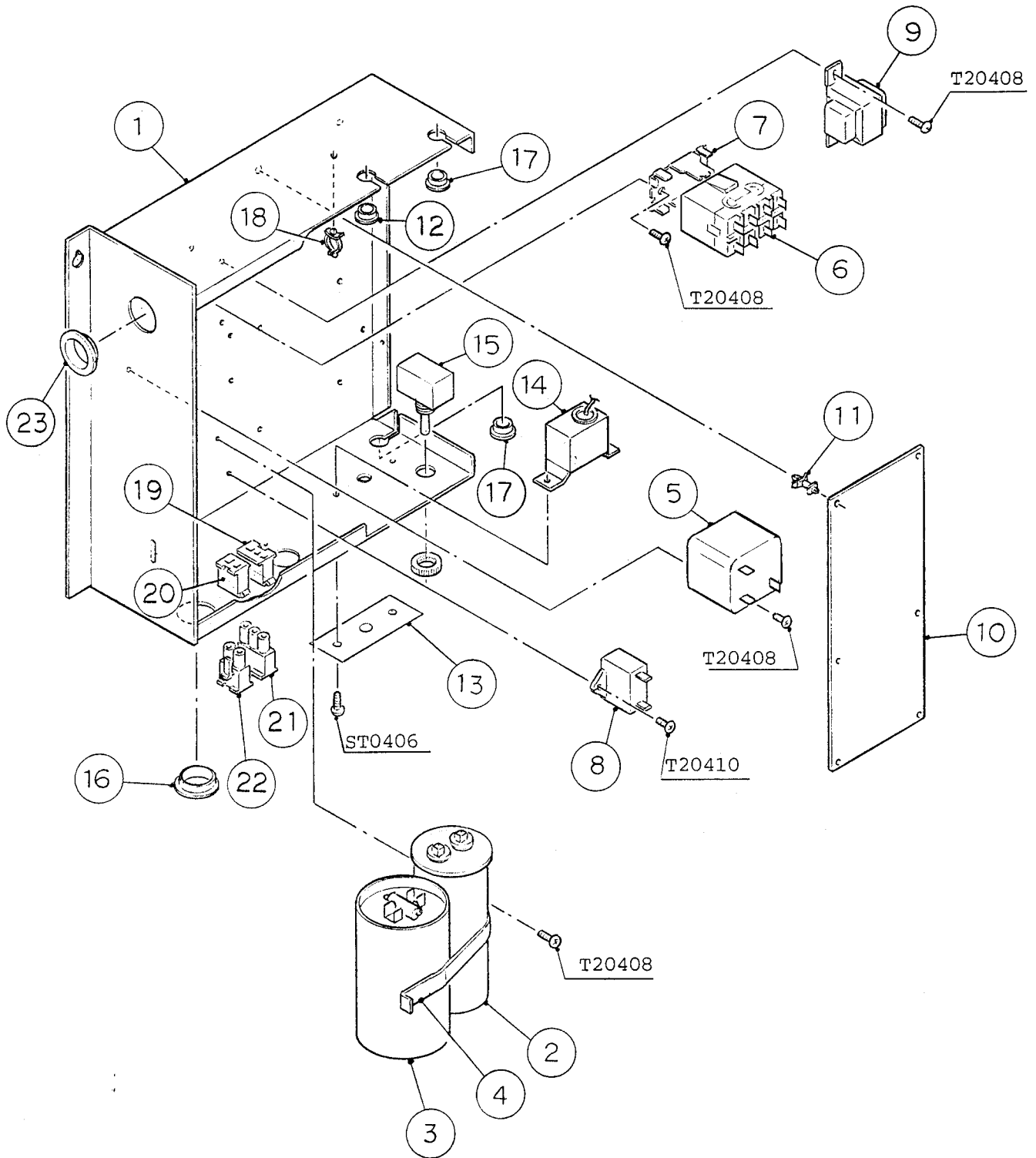
H-1, H-2, H-3, H-4, J-0

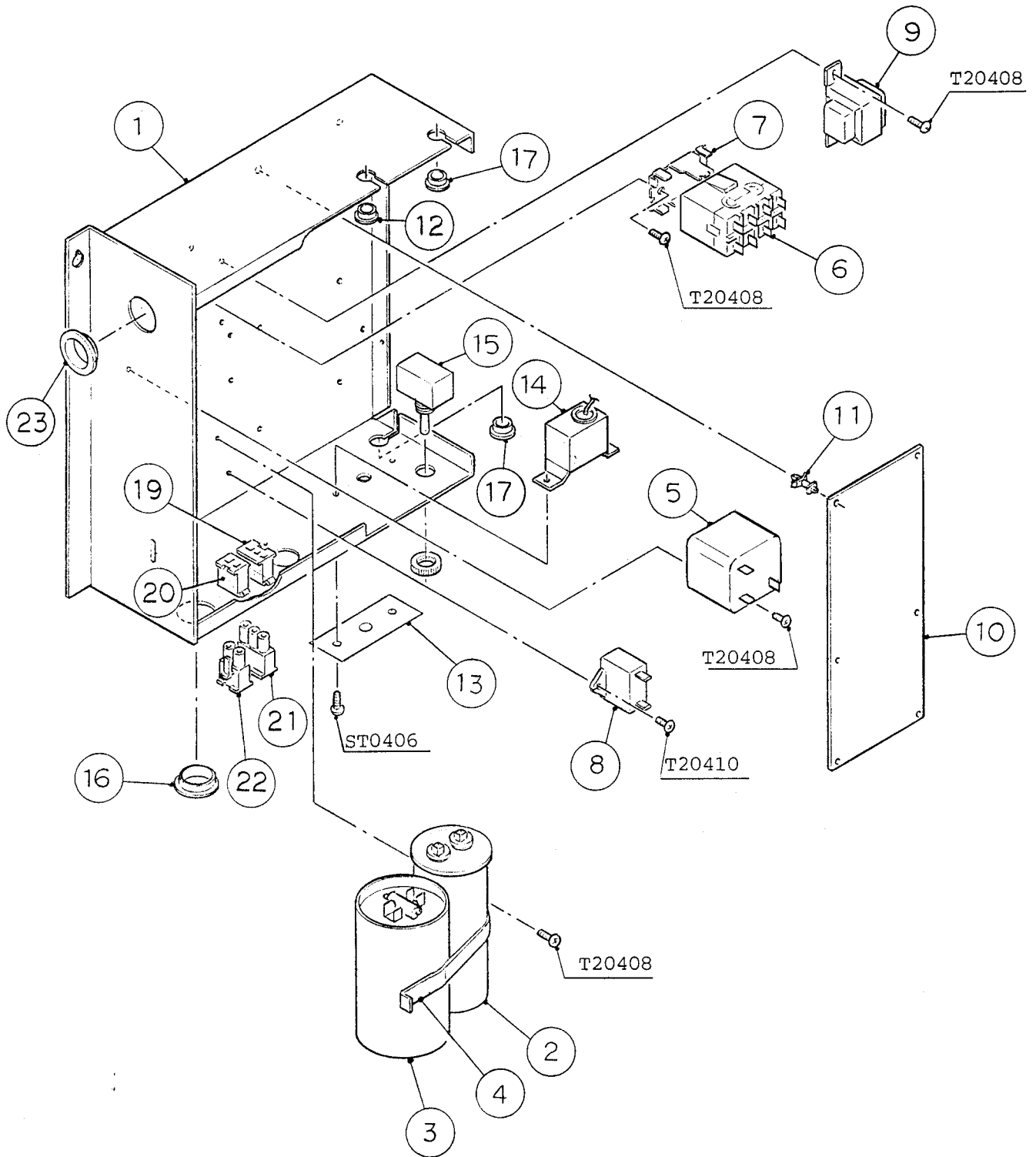


MODEL: KM-800MAE, MWE, MRE TITLE: C. WATER CIRCUIT														
INDEX NO.	DESCRIPTION	MATERIAL OR MODEL	PART NUMBER	REQUIRED NUMBER										
				C-0	C-1	C-2	D-0	E-0	E-1	F-0	F-1	G-0	G-1	H-1
F	PUMP MOTOR ASSEMBLY	(S-0613)	321444A01	1	1	1	1	1	1	1	1	1	1	1
1	VINYL HOSE	L=630	7716-2025	1	1	1	1	1	1	1	1	1	1	
2	WATER SUPPLY PIPE	COPPER	4A0156G01	1	1	-								
		COPPER	4A0207G01			1	x1							
		COPPER	4A0207G04				o1	1	-					
		COPPER	4A0768G04						1	1	1	1	1	
3	RUBBER GASKET	NR	413854-01	2	2	1	1	1	x1					
		NR	413854-03						o1	1	1	1	1	
4	WATER VALVE BRACKET	GS	321443-01	1	1	1	1	1	1	1	1	1	1	
5	WATER VALVE	J248-032	3U0111-02	1	1	1	1	1	1	1	1	1	1	
6	DISTRIBUTOR HOSE	EPDM	439374-01	1	1	-								
7	HOSE CLAMP	SS, 18MM	427443-05	1	1	1	1	1	1	1	1	1	1	
8	HOSE CLAMP	SS, 13.5MM	427443-07	2	2	-								
9	SPRAY TUBE	ABS	433520G02	2	2	-								
		PE	1A0019-01			1	1	1	1	1	1	x1		
		PE	1A0260-01									o1	1	
10	SPRAY GUIDE (A)	PE	208586-01	6	6	6	6	6	6	6	6	6	6	
11	CUBE GUIDE	ABS	212088-01	1	1	1	1	1	1	1	1	1	1	
12	SUCTION HOSE	EPDM	433466-01	1	1	1	1	1	1	1	1	1	1	
13	PUMP MOTOR BRACKET	ABS	211408-01	1	1	1	1	x1						
		PC	211408-01					o1	1	1	1	1	1	
14	HOSE CLAMP	SS, 25MM	427443-03	6	6	7	9	9	9	9	9	9	9	
15	DISTRIBUTOR	ABS	432820-01	1	1	-								
16	ELBOW	EPDM	433467-01	2	2	-								
17	"O" RING	1AG35	7611-G035	1	1	1	1	1	1	1	1	1	1	
18	VALVE HOUSING - DRAIN	ABS	321001-01	1	1	1	1	1	1	1	1	1	1	
19	SPRING	SS	322111-01	1	1	1	x1							
		SS	322110-01				o1	1	1	1	1	1	1	

MODEL: KM-800MAE, MWE, MRE TITLE: C. WATER CIRCUIT												
INDEX NO.	DESCRIPTION	MATERIAL OR MODEL	PART NUMBER	REQUIRED NUMBER								
				C-0	C-1	C-2	D-0	E-0 E-1	F-0	F-1	G-0 G-1	H-0 H-1 H-2
20	VALVE SHEET	EPDM	433705-01	1	1	1	1	1	1	1	1	1
21	DRAIN HOSE	EPDM	433468-01	1	1	1	1	1	1	x1		
		SANTOPRENE	433468-01							o1	1	1
22	OVERFLOW CAP	PE	321002-01	1	1	1	1	1	1	1	1	1
23	OVERFLOW PIPE	ABS	430722-01	1	1	1	1	1	1	1	1	1
24	"O"RING	1AP32	7611-P032	1	1	1	1	1	1	1	x1	
		EPDM, AS568 - 218	4A1234-01								o1	1
25	CONNECTOR - FLOAT SWITCH	EPDM	426799-01	1	1	1	1	1	1	1	1	1
26	FLOAT SWITCH	FS-0893B-1	433535-02	1	1	1	1	1	x1			
		163795	4A0886-01						o1	1	1	1
27	VINYL HOSE	L=110	7716-2025	1	1	1	1	1	1	1	1	1
28	CONDUIT	COPPER	433706G02	1	x1							
		COPPER	4A0208-02		o1	-						
29	BUSHING	SB-625-8	420470-01	1	-							
30	CLAMP	NO. 248	427902-04	5	2	2	2	2	2	2	2	2
31	HOSE HOLDER	SS	436340-01	1	1	-						
32	FITTING - INLET	BRASS	436552-01	1	1	-						
33	FITTING HOLDER - INLET	GS	436550-01	1	1	-						
34	JOINT PIPE	ABS	439329-01	1	1	-						
35	CORNER INSULATION (A)	PE FOAM	439376-01	1	1	1	1	1	1	1	1	1
36	CORNER INSULATION (B)	PE FOAM	439392-01	1	1	1	1	1	1	1	1	1
37	DISTRIBUTOR	ABS	432426-01	1	1	-						
38	TEE	EPDM	439197-01	1	1	-						
		EPDM	4A0177-01			1	1	1	1	1	x1	
		SANTOPRENE	4A0177-01								o1	1
39	FLANGE	EPDM	439267-01	1	1	1	1	1	1	1	1	1

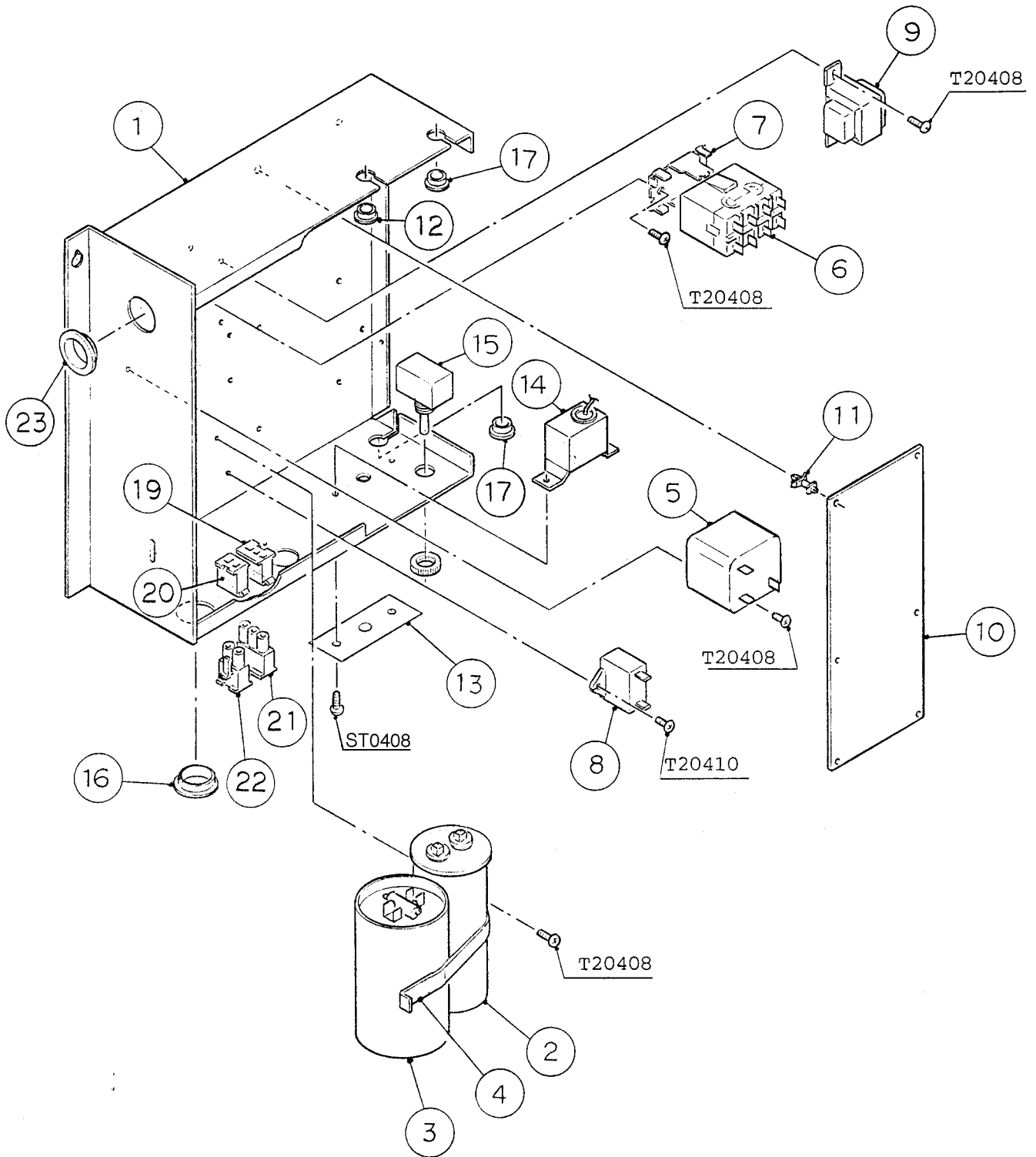
MODEL: KM-800MAE, MWE, MRE TITLE: C. WATER CIRCUIT													
INDEX NO.	DESCRIPTION	MATERIAL OR MODEL	PART NUMBER	REQUIRED NUMBER									
				C-0	C-1	C-2	D-0	E-0 E-1	F-0 F-1	G-0 G-1	H-0	H-1 H-2	H-3 H-4 J-0
40	HOSE (B)	EPDM	436599-02	1	1	1	1	1	1	1	1	1	1
41	RUBBER RING	TSE2571-5U	439236-01	1	1	1	1	1	1	1	1	1	1
42	MALE ADAPTOR	(442137A01) ABS	325826-01	2	2	2	2	2	2	2	2	2	2
43	BALL VALVE	PVC	439293-01	1	1	1	1	1	1	1	1	1	1
44	"O" RING	1AP18	7611-P018	2	2	2	2	2	2	2	2	2	2
45	HANDLE	JH1352	215383-01	1	1	1	1	1	1	1	1	1	1
46	VALVE HOLDER	GS	325825-01	1	1	1	1	1	1	1	1	1	x1
		GS	3A1178-01										o1
47	MICRO SWITCH	AH-8064	436386-01	1	x1								
		ABV1636614F01	444193-01		o1	x1							
		V3L-111-D8	4A0365-01			o1	1	1	1	1	1	1	1
48	TAPPING SCREW	3x14	431415-02	1	1	1	1	1	1	1	1	1	1
49	HANDLE BRACKET	GS	439929-01	1	-								
50	HOSE CLAMP	SS 20MM	427443-06	1	1	1	1	1	1	1	1	1	1
51	FLOAT SWITCH STOP	SS	4A0137-01	1	1	1	1	1	1	1	1	1	1
52	TIE	CV-200	7920-0010	3	3	2	-						
53	VINYL HOSE	L=140	7716-0913	2	2	2	2	2	2	2	x2		
		L=140	7730I3812								o2	1	1
54	VINYL HOSE	L=165	7716-2025	1	1	-							
		L=50	7716-2025			1	1	1	1	1	1	1	1
55	WATER SUPPLY TUBE	PE	2A0079-01			1	1	1	1	1	1	1	1
56	PLUG	EPDM/SY. R	4A0176-01			2	2	2	2	2	2	2	2
57	CONNECTING PIPE	-	2A0088-01			1	1	1	1	1	1	1	1
58	VINYL HOSE	L=140	7730I3896									1	1

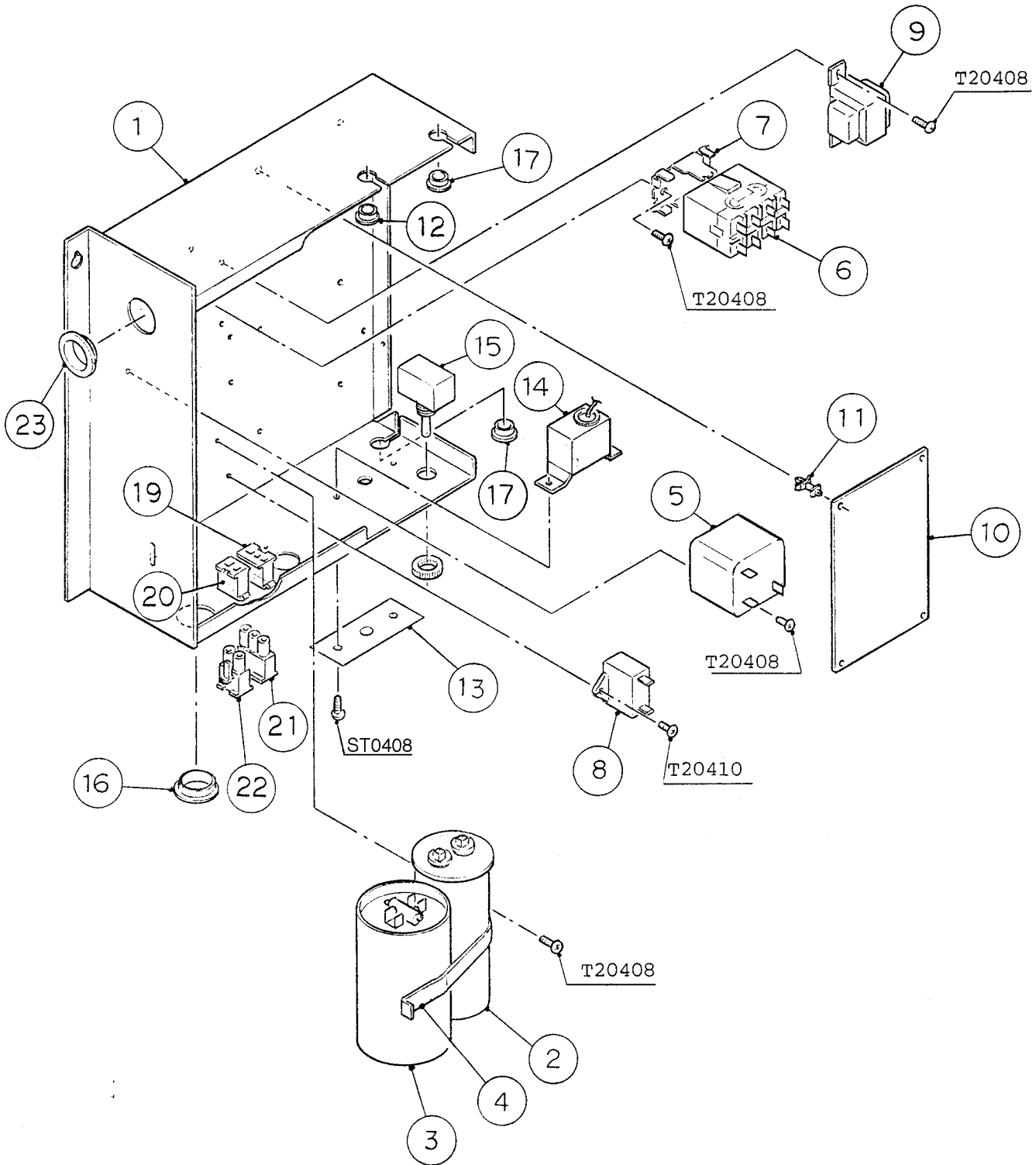




HA

KM-800MAE D. CONTROL BOX ASSEMBLY D-0, E-0, E-1, F-0, F-1, G-0, G-1, H-0, H-1, H-3

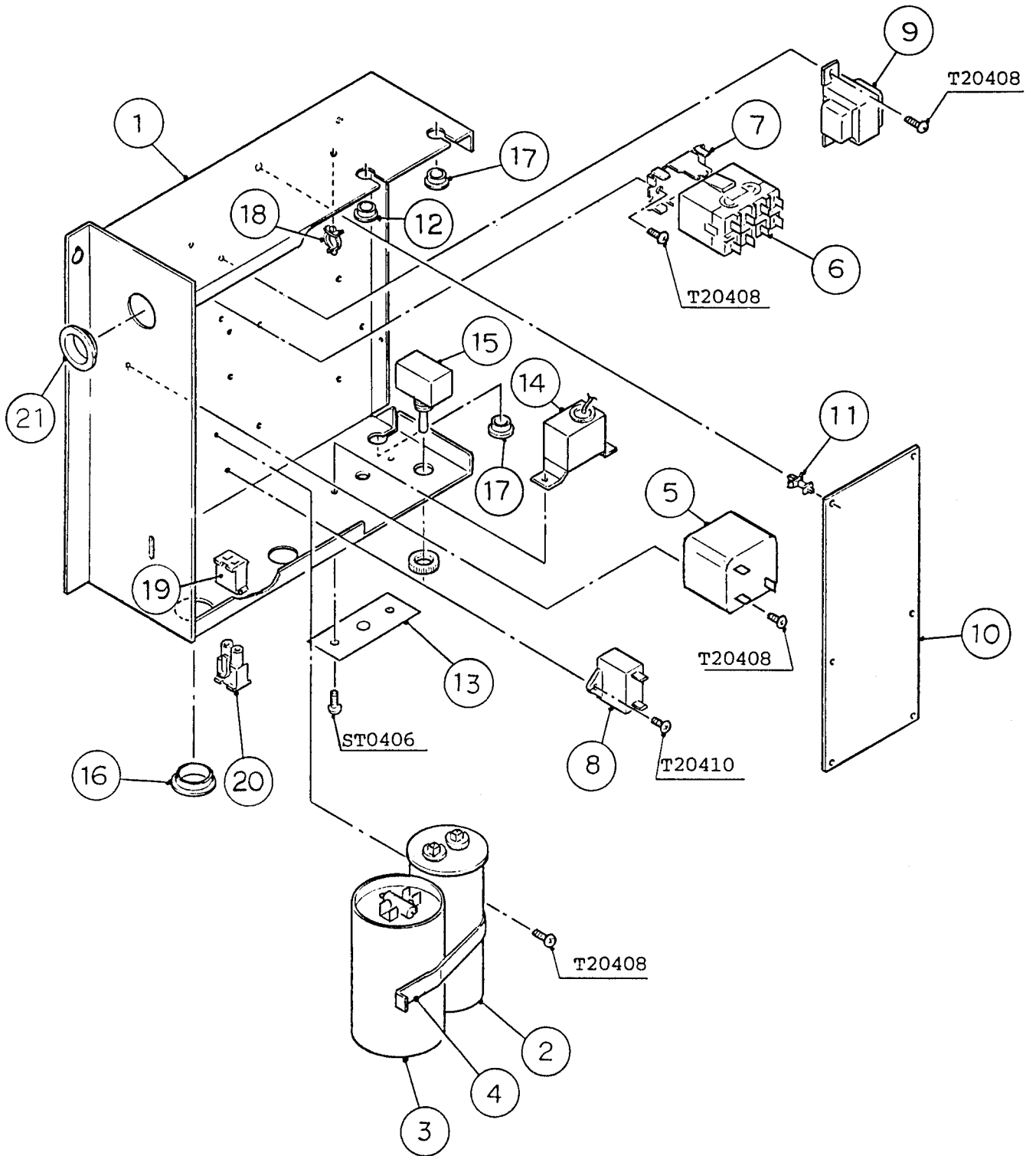


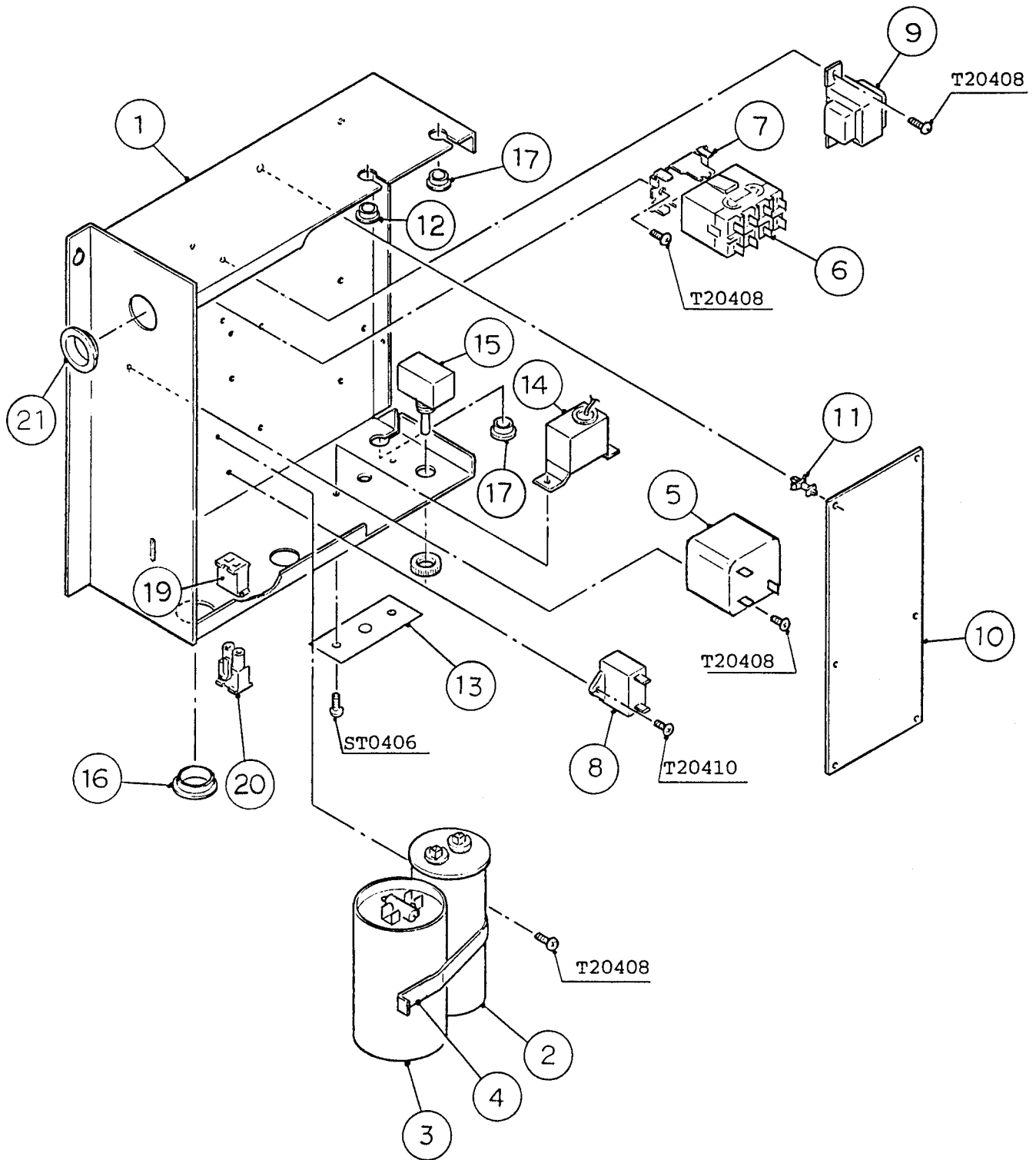


MODEL: KM-800MAE TITLE: D. CONTROL BOX ASSEMBLY														
INDEX NO.	DESCRIPTION	MATERIAL OR MODEL	PART NUMBER	REQUIRED NUMBER										
				C-0	C-1	C-2	D-0 E-0	E-1	F-0 F-1	G-0 G-1 H-0 H-1	H-2	H-3	H-4 J-0	
1	CONTROL BOX	GS	2A0121G01	1	1	1	1	1	1	1	1	1	1	
2	CAPACITOR	RS37B0035UN HG03	439943-01	1	1	1	1	1	1	1	1	1	1	
3	CAPACITOR - STARTING	3535B8A0145A 250A5	3A0076-01	1	1	1	1	1	1	1	1	1	1	
4	STRAP	GS	434580-04	1	1	1	1	1	1	1	1	1	1	
5	STARTER	040-0001-40	434923-01	1	1	1	1	1	1	1	1	1	1	
6	MAGNETIC CONTACTOR	VC20	428393-01	1	1	1	1	1	1	1	1	1	1	
7	BRACKET	-	428393F01	1	1	1	1	1	1	1	1	1	1	
8	CAPACITOR	5.5MFD 250V	443192-03	1	1	1	1	1	1	1	1	1	1	
9	TRANSFORMER	BW48-005	3U0135-01	1	1	x1								
		26D285H	3A0172-01			o1	1	1	1	1	1	1	1	
10	CONTROLLER BOARD	MY9KM910	2U0127-01	1	1	1	1	1	1	1	1	-		
		-	2A0836-01									1	-	
		MY9KM910	2U0127-01										1	-
		-	2A0836-01											1
11	BOARD SUPPORT	KGLS-6S	414929-01	6	x6									
		CBLS37-M	4A0336-03		o6	6	6	6	6	6	6	4	6	4
12	BUSHING	OCB-750	428394-01	1	x1									
		OCB-875	428394-04		o1	1	1	1	1	1	1	1	1	
13	CONTROL LABEL	PES FILM	434934-01	1	1	1	1	1	1	1	1	1	1	
14	THERMOSTAT	A30-3842-00	439678-02	1	1	1	1	x1						
		-	4A0738-02					o1	x1					
		A30-3842-00	4A0824-02						o1	1	1	1	1	
15	TOGGLE SWITCH	8966K84	443119-01	1	1	1	1	1	1	1	1	1	1	
16	BUSHING	SB-1093-15	420470-03	1	1	1	1	1	1	1	1	1	1	
17	BUSHING	OCB-500	428394-02	2	2	2	2	2	2	2	2	2	2	

HA

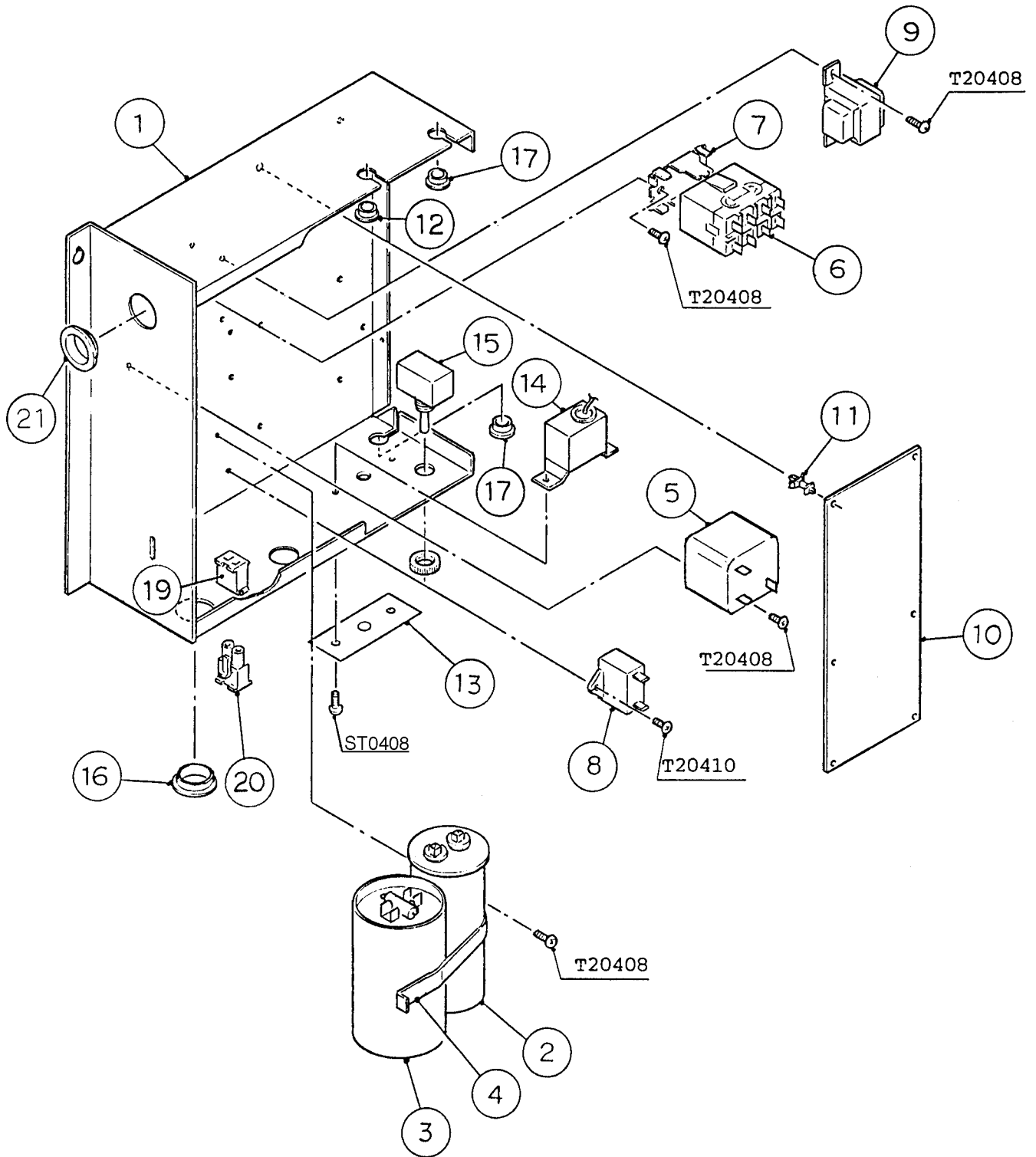
MODEL: KM-800MAE TITLE: D. CONTROL BOX ASSEMBLY													
INDEX NO.	DESCRIPTION	MATERIAL OR MODEL	PART NUMBER	REQUIRED NUMBER									
				C-0	C-1	C-2	D-0 E-0	E-1	F-0 F-1	G-0 G-1 H-0 H-1	H-2	H-3	H-4 J-0
18	CLAMP	NO. 248	427902-04	1	1	-							
19	3P PLUG HOUSING	3191-03P	412832-06	1	1	1	1	1	1	1	1	1	1
20	2P PLUG HOUSING	3191-02P	412832-07	1	1	1	1	1	1	1	1	1	1
21	3P RECEPTACLE HOUSING	3191-03R1	412831-06	1	1	1	1	1	1	1	1	1	1

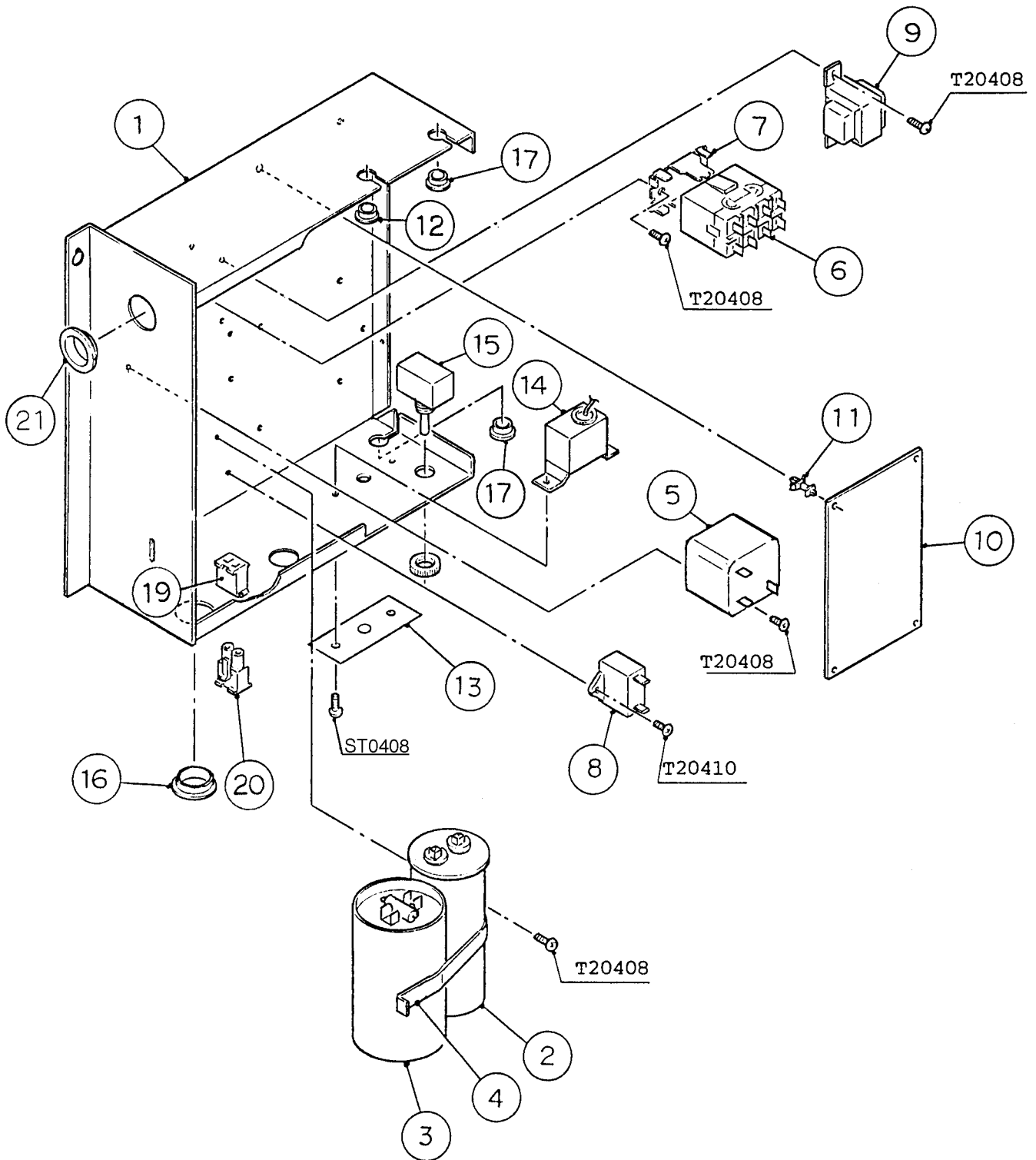




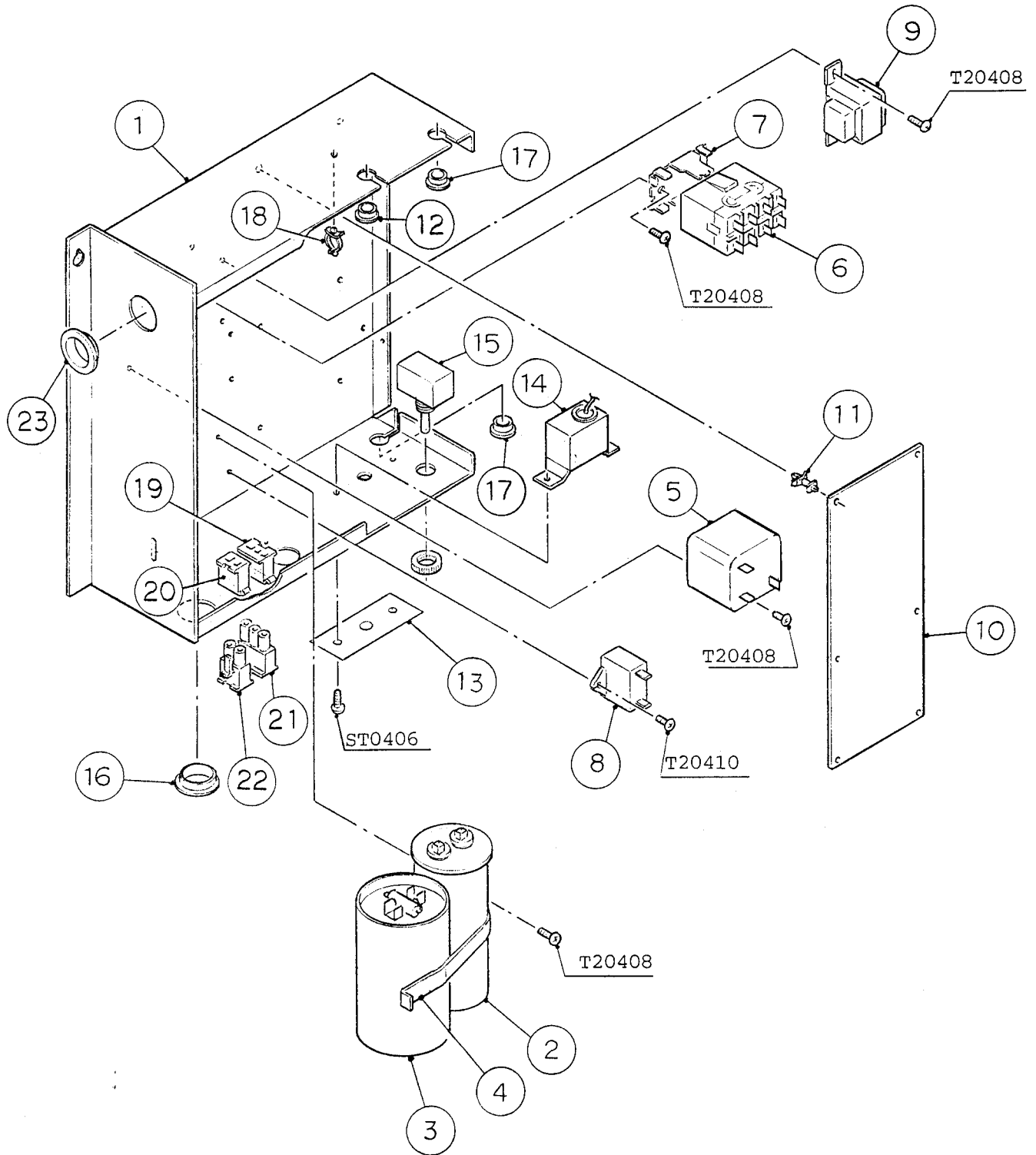
HA

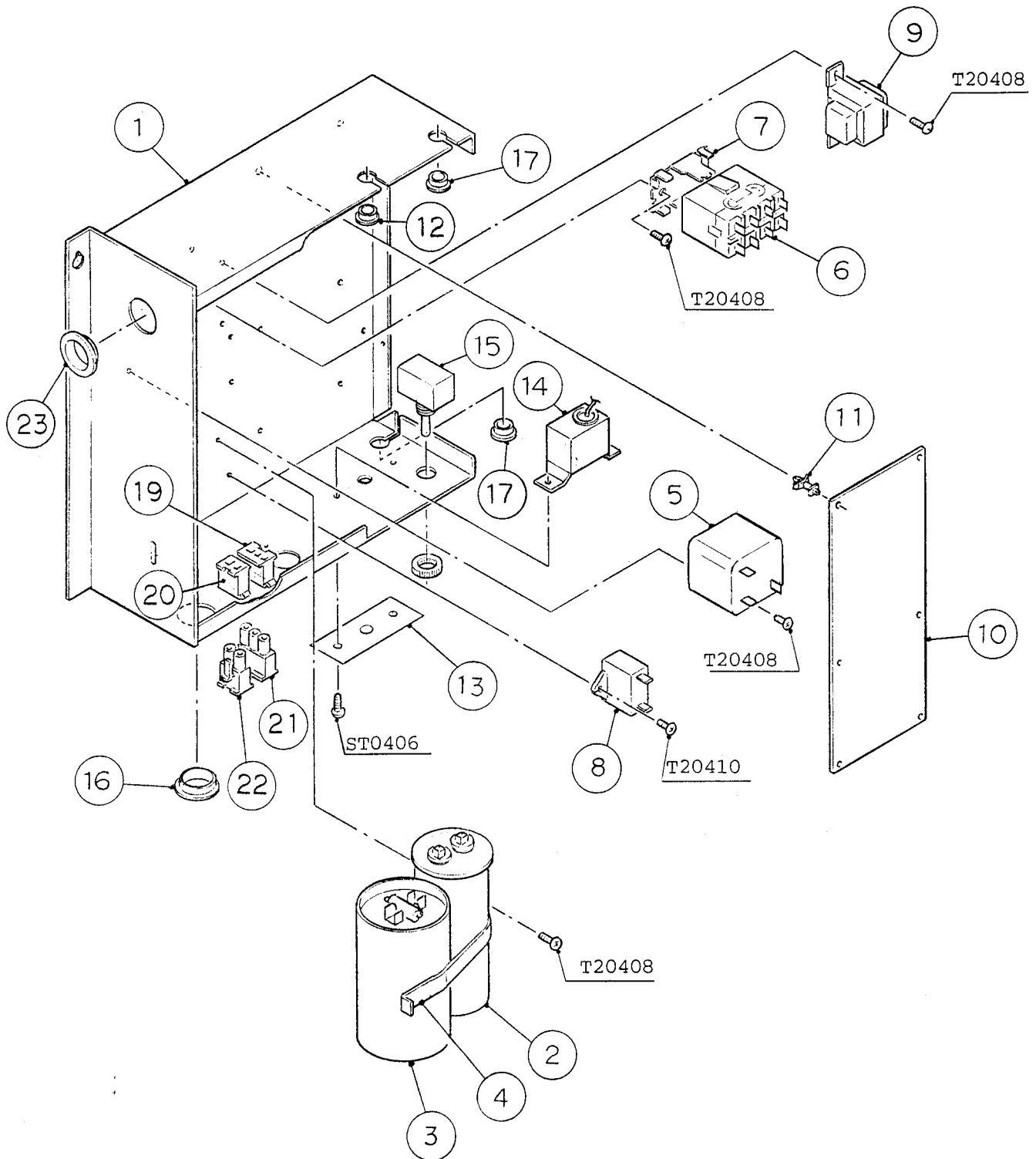
KM-800MWE D. CONTROL BOX ASSEMBLY D-0, E-0, E-1, F-0, F-1, G-0, G-1, H-0, H-1





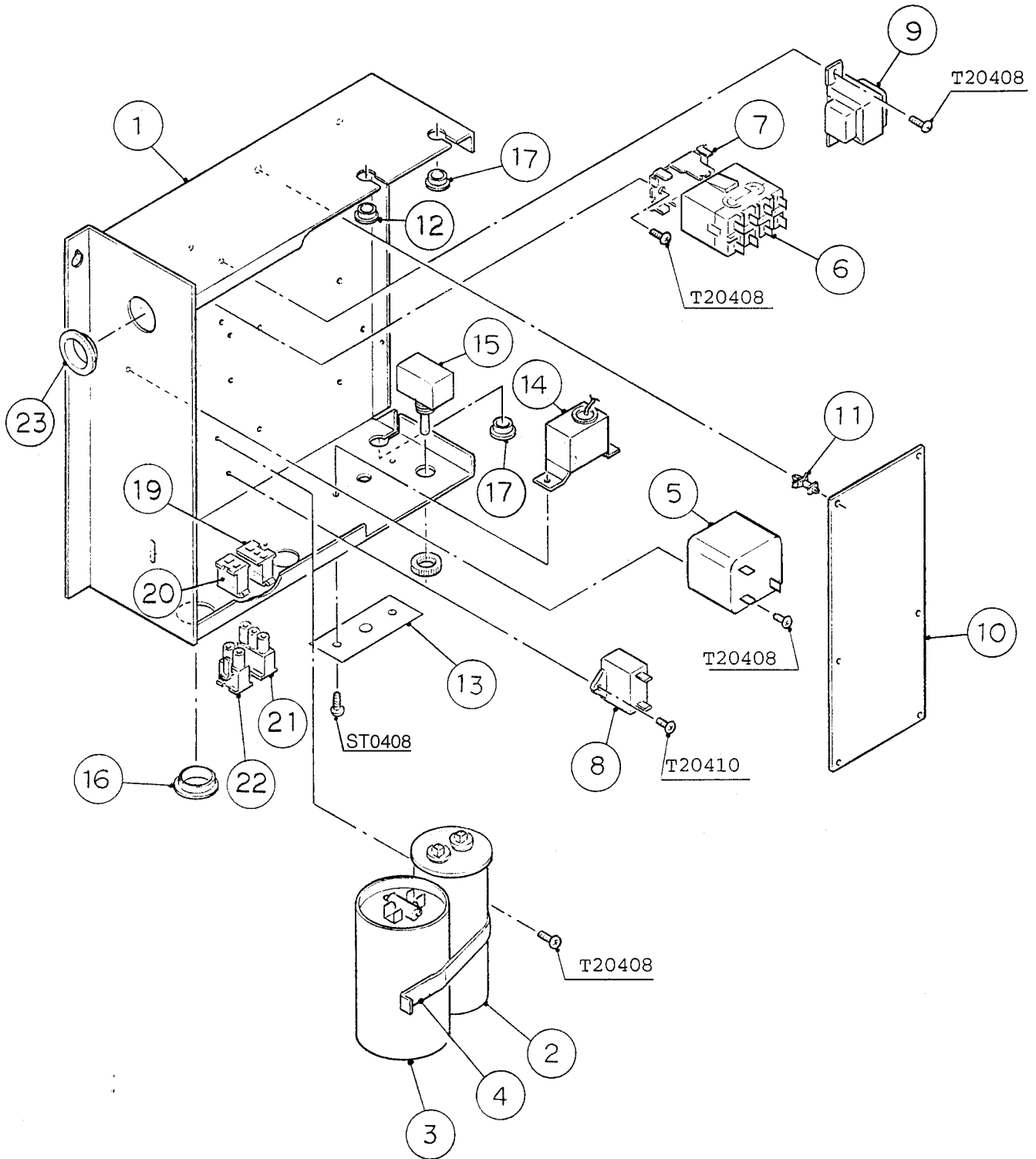
MODEL: KM-800MWE TITLE: D. CONTROL BOX ASSEMBLY													
INDEX NO.	DESCRIPTION	MATERIAL OR MODEL	PART NUMBER	REQUIRED NUMBER									
				C-0	C-1	C-2	D-0	E-0	E-1	F-0 F-1	G-0 G-1	H-0 H-1	H-2 J-0
1	CONTROL BOX	GS	2A0121G03	1	1	1	1	1	1	1	1	1	1
2	CAPACITOR	RS37B0035UN HG03	439943-01	1	1	1	1	1	1	1	1	1	1
3	CAPACITOR - STARTING	3535B8A0145A 250A5	3A0076-01	1	1	1	1	1	1	1	1	1	1
4	STRAP	GS	434580-04	1	1	1	1	1	1	1	1	1	1
5	STARTER	040-0001-40	434923-01	1	1	1	1	1	1	1	1	1	1
6	MAGNETIC CONTACTOR	VC20	428393-01	1	1	1	1	1	1	1	1	1	1
7	BRACKET	-	428393F01	1	1	1	1	1	1	1	1	1	1
8	CAPACITOR	5.5MFD 250V	443192-03	1	1	1	1	1	1	1	1	1	1
9	TRANSFORMER	BW48-005	3U0135-01	1	x1								
		26D285H	3A0172-01		o1	1	1	1	1	1	1	1	1
10	CONTROLLER BOARD	MY9KM910	2U0127-01	1	1	1	1	1	1	1	1	1	-
		-	2A0836-01										1
11	BOARD SUPPORT	KGLS-6S	414929-01	6	x6								
		CBLS37-M	4A0336-03		o6	6	6	6	6	6	6	6	6
12	BUSHING	OCB-750	428394-01	1	x1								
		OCB-875	428394-04		o1	1	1	1	1	1	1	1	1
13	CONTROL LABEL	PES FILM	434934-01	1	1	1	1	1	1	1	1	1	1
14	THERMOSTAT	A30-3842-00	439678-02	1	1	1	1	x1					
		A30-3842-00	4A0738-02					o1	1	x1			
		A30-3842-00	4A0824-02							o1	1	1	1
15	TOGGLE SWITCH	8966K84	443119-01	1	1	1	1	1	1	1	1	1	1
16	BUSHING	SB-1093-15	420470-03	1	1	1	1	1	1	1	1	1	1
17	BUSHING	OCB-500	428394-02	2	2	2	2	2	2	2	2	2	2
18	CLAMP	NO. 248	427902-04	1	1	-							
19	2P PLUG HOUSING	3191-02P	412832-07	1	1	1	1	1	1	1	1	1	1
20	2P RECEPTACLE HOUSING	3191-02R1	412831-07	1	1	1	1	1	1	1	1	1	1
21	BUSHING	SB-1093-13	420470-12	1	1	1	1	1	1	1	1	1	1

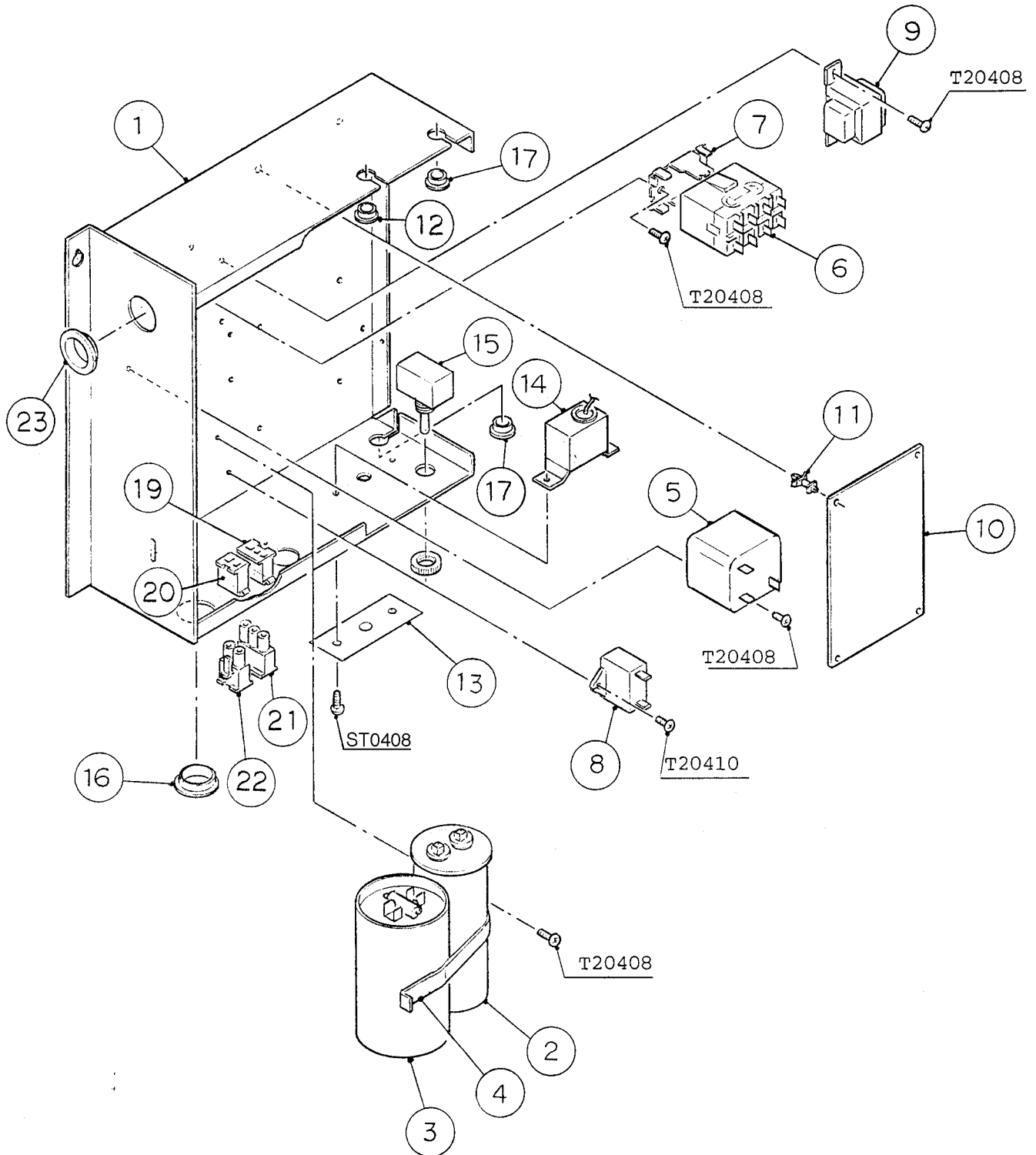




HA

KM-800MRE D. CONTROL BOX ASSEMBLY D-0, E-0, E-1, F-0, F-1, G-0, G-1, H-0, H-1





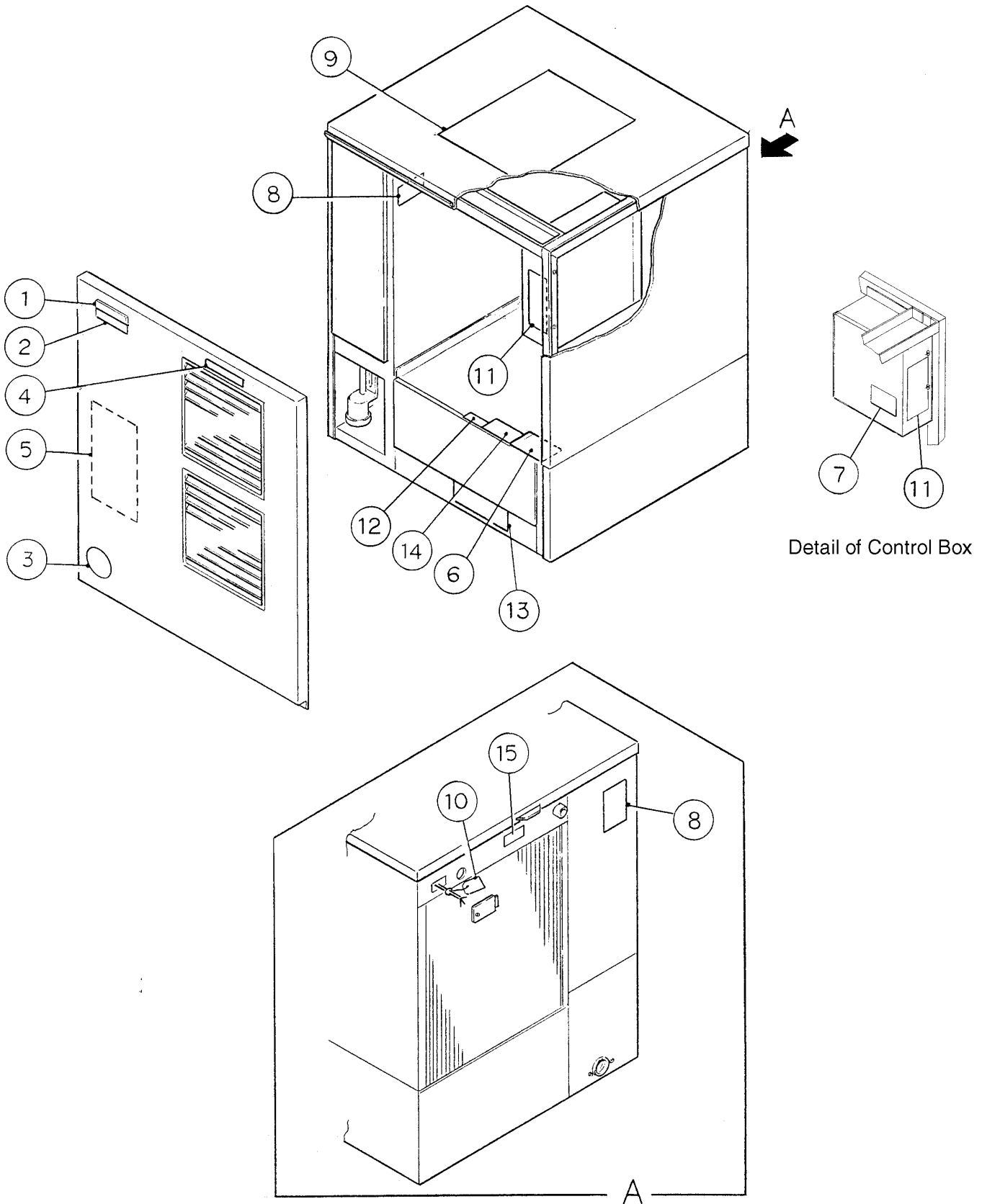
MODEL: KM-800MRE TITLE: D. CONTROL BOX ASSEMBLY													
INDEX NO.	DESCRIPTION	MATERIAL OR MODEL	PART NUMBER	REQUIRED NUMBER									
				C-0	C-1	C-2	D-0	E-1	F-0	G-0	H-0	H-2	J-0
1	CONTROL BOX	GS	2A0121G01	1	1	1	1	1	1	1	1	1	1
2	CAPACITOR	RS37B0035UN HG03	439943-01	1	1	1	1	1	1	1	1	1	1
3	CAPACITOR - STARTING	3535B8A0145A 250A5	3A0076-01	1	1	1	1	1	1	1	1	1	1
4	STRAP	GS	434580-04	1	1	1	1	1	1	1	1	1	1
5	STARTER	040-0001-40	434923-01	1	1	1	1	1	1	1	1	1	1
6	MAGNETIC CONTACTOR	VC20	428393-01	1	1	1	1	1	1	1	1	1	1
7	BRACKET	-	428393F01	1	1	1	1	1	1	1	1	1	1
8	CAPACITOR	5.5MFD 250V	443192-03	1	1	1	1	1	1	1	1	1	1
9	TRANSFORMER	BW48-005	3U0135-01	1	1	x1							
		26D285H	3A0172-01			o1	1	1	1	1	1	1	1
10	CONTROLLER BOARD	MY9KM910	2U0127-01	1	1	1	1	1	1	1	1	-	
		-	2A0836-01									1	1
11	BOARD SUPPORT	KGLS-6S	414929-01	6	x6								
		CBLS37-M	4A0336-03		o6	6	6	6	6	6	6	4	4
12	BUSHING	OCB-750	428394-01	1	x1								
		OCB-875	428394-04		o1	1	1	1	1	1	1	1	1
13	CONTROL LABEL	PES FILM	434934-01	1	1	1	1	1	1	1	1	1	1
14	THERMOSTAT	A30-3842-00	439678-02	1	1	1	1	x1					
		-	4A0738-02					o1	x1				
		A30-3842-00	4A0824-02						o1	1	1	1	1
15	TOGGLE SWITCH	8966K84	443119-01	1	1	1	1	1	1	1	1	1	1
16	BUSHING	SB-1093-15	420470-03	1	1	1	1	1	1	1	1	1	1
17	BUSHING	OCB-500	428394-02	2	2	2	2	2	2	2	2	2	2
18	CLAMP	NO. 248	427902-04	1	1	-							
19	3P PLUG HOUSING	3191-03P	412832-06	1	1	1	1	1	1	1	1	1	1
20	2P PLUG HOUSING	3191-02P	412832-07	1	1	1	1	1	1	1	1	1	1
21	3P RECEPTACLE HOUSING	3191-03R1	412831-06	1	1	1	1	1	1	1	1	1	1

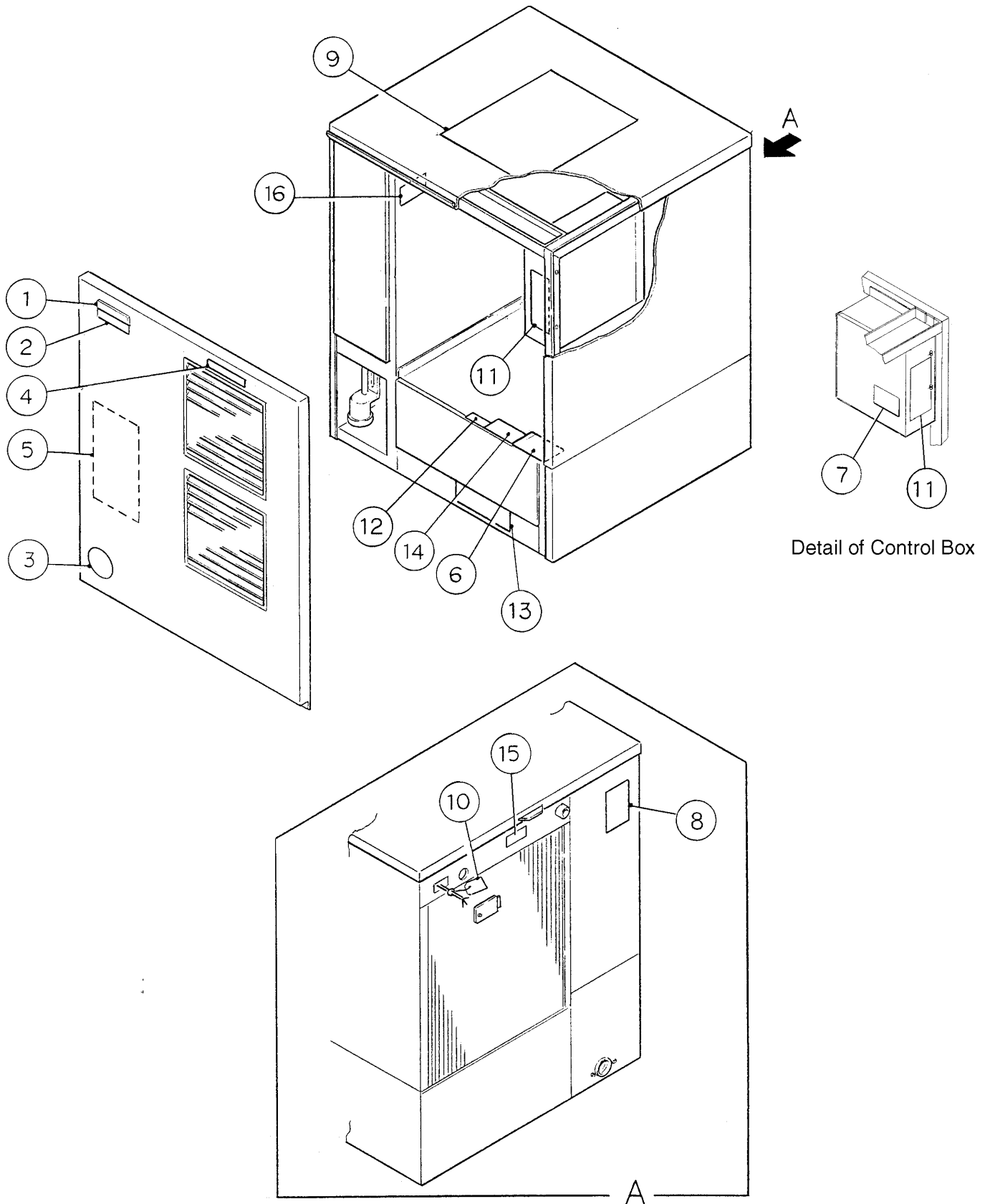
HA

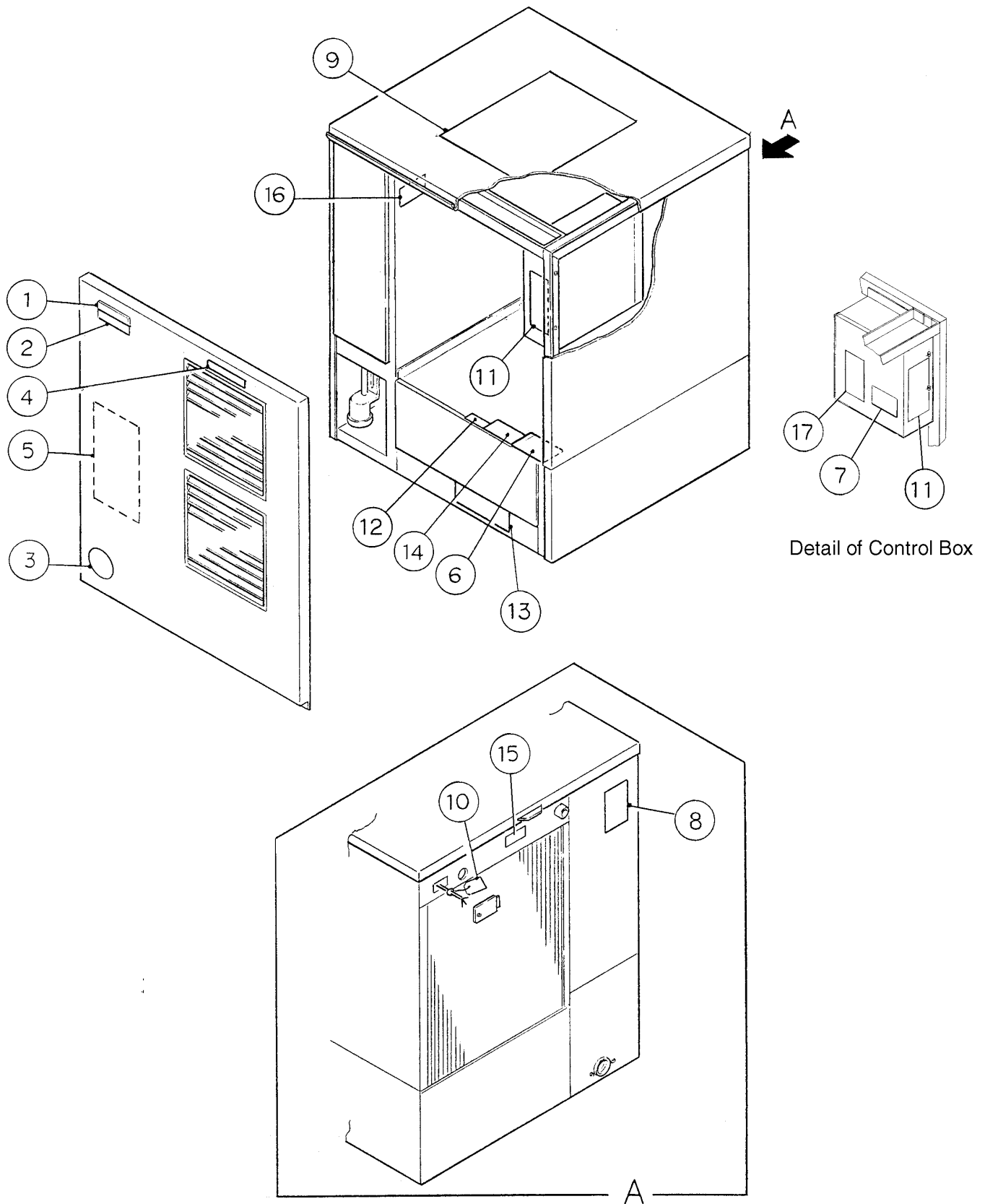
KM-800MAE

E. LABEL LOCATION

C-0, C-1, C-2, D-0, E-0, E-1,
F-0, F-1, G-0, G-1, H-0







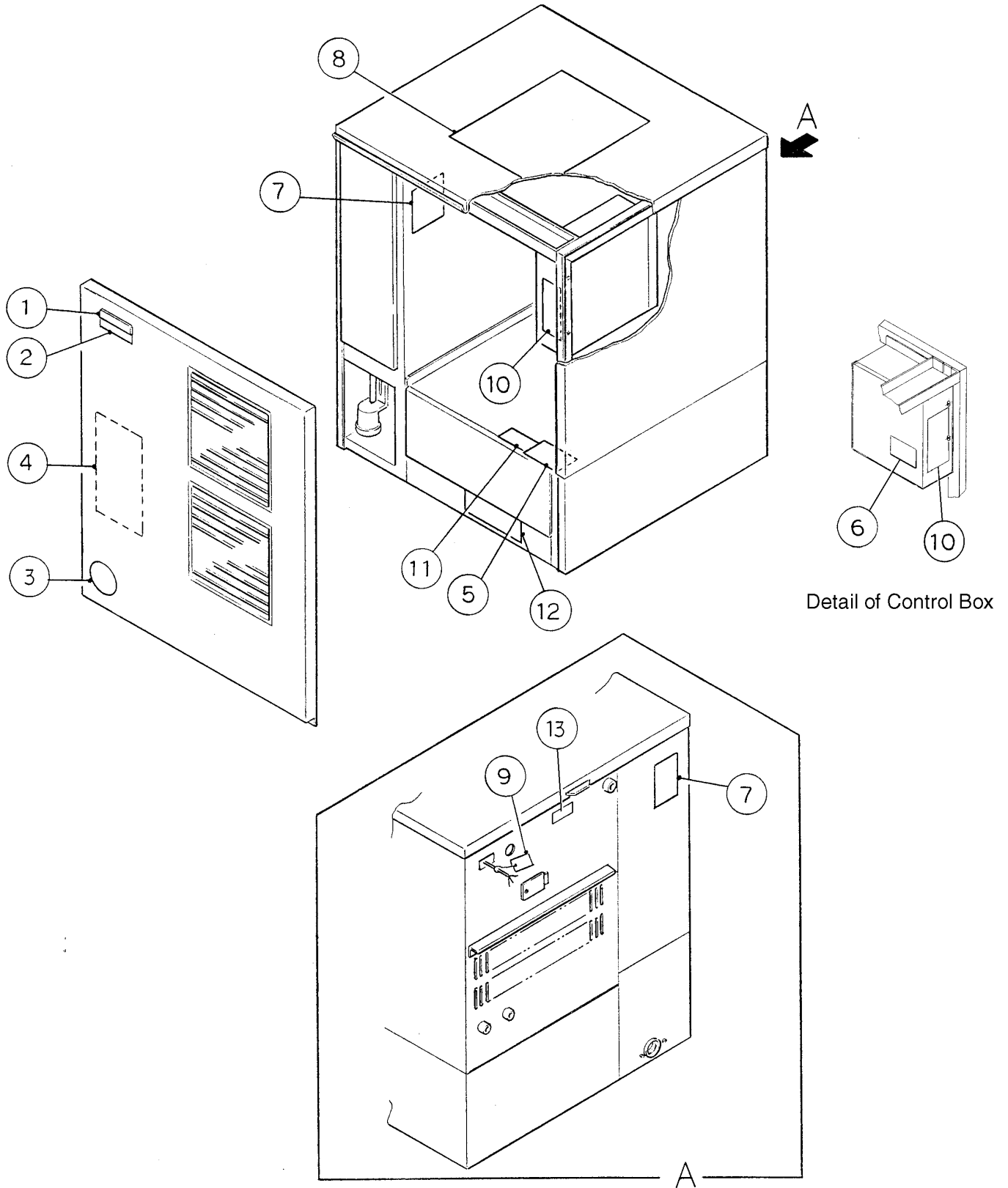
MODEL: KM-800MAE TITLE: E. LABEL LOCATION													
INDEX NO.	DESCRIPTION	MATERIAL OR MODEL	PART NUMBER	REQUIRED NUMBER									
				C-0	C-1 C-2	D-0	E-0 E-1	F-0 F-1	G-0 G-1 H-0	H-1	H-2	H-3	H-4 J-0
1	EMBLEM (L) - HOSHIZAKI	ABS	418634G01	1	x1								
		ABS	4A0560-01		o1	1	1	1	1	1	1	1	1
2	MODEL NUMBER LABEL	PETP FILM	443341-07	1	1	1	1	1	1	1	1	1	1
3	LABEL - PENGUIN (R)	PETP FILM	4A0526-01	1	1	x1							
		PETP FILM	410994-01			o1	1	1	x1				
		PETP FILM	4A0526-01						o1	1	1	1	1
4	LABEL - AIR FILTER	PETP FILM	426177-01	1	1	1	1	1	1	1	1	1	1
5	MAINTENANCE LABEL	PVC FILM	326218-01	1	1	1	1	1	1	1	1	1	1
6	CAUTION LABEL (K)	PVC FILM	439150-01	1	1	1	1	1	1	1	1	1	1
7	WIRING LABEL	PVC FILM	328094-01	1	1	1	1	1	1	1	1	1	1
8	NAMEPLATE	PES FILM	443977-01	2	2	x2							
		PES FILM	4A0692-01			o2	2	2	2	1	1	1	1
9	INSTRUCTION SHEET	PAPER	218077-01	1	1	1	1	1	1	1	1	1	1
10	TAG - WARNING: ELECTRICAL CONNECTION	PAPER	428430-01	1	1	1	1	1	1	1	1	1	1
11	MANUAL LABEL	PVC FILM	324476-01	1	1	1	1	1	1	1	1	1	1
12	LABEL - R22	PES FILM	440362-01	1	1	1	1	1	1	1	1	1	1
13	OPERATION LABEL - VALVE	PVC FILM	439541-01	1	1	1	1	1	1	1	1	1	1
14	CAUTION LABEL (F)	PVC FILM	439146-01	1	1	1	1	1	1	1	1	1	1
15	INSTRUCTION LABEL	PVC FILM	444575-01		1	1	1	1	1	1	1	1	1
16	RATING LABEL	-	4A1605-01							1	1	1	1
17	LABEL - CONTROL BOARD	-	3A0998-01								1	-	1

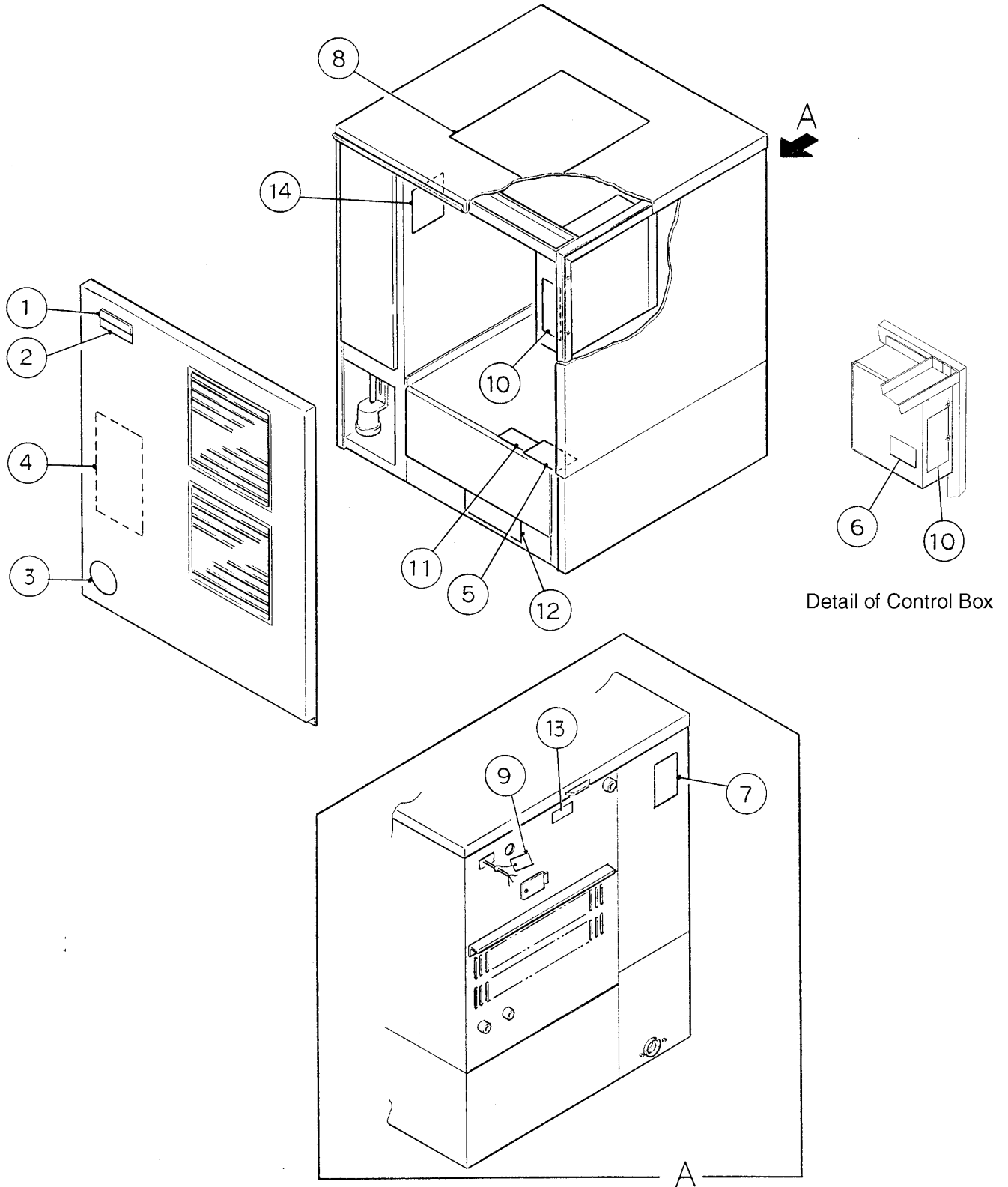
HA

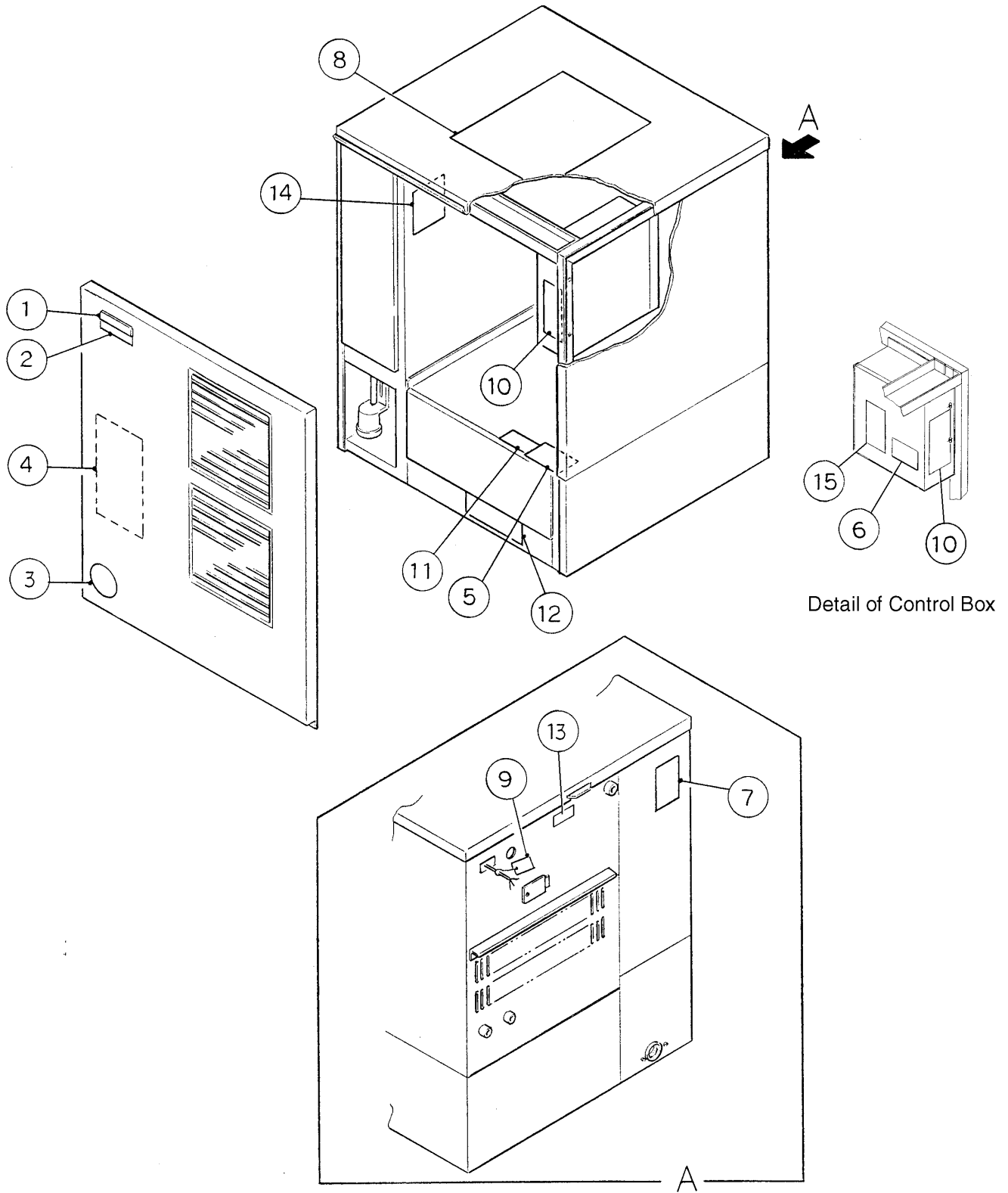
KM-800MWE

E. LABEL LOCATION

C-0. C-1. D-0, E-0. E-1. F-0. F-1. G-0. G-1, H-0







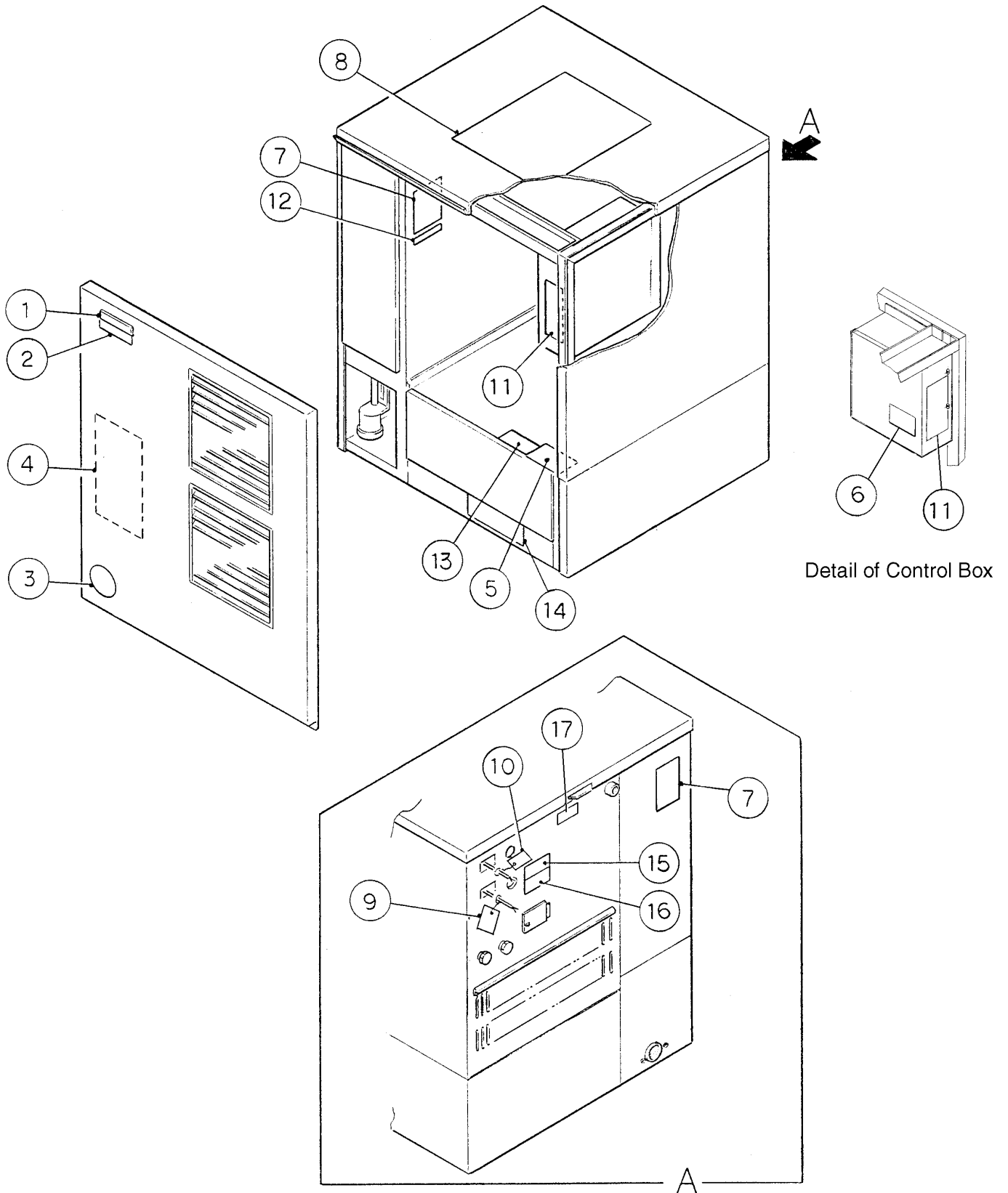
MODEL: KM-800MWE TITLE: E. LABEL LOCATION													
INDEX NO.	DESCRIPTION	MATERIAL OR MODEL	PART NUMBER	REQUIRED NUMBER									
				C-0	C-1	C-2	D-0	E-0	E-1	F-0 F-1	G-0 G-1 H-0	H-1	H-2 J-0
1	EMBLEM (L) - HOSHIZAKI	ABS	418634G01	1	1	1	x1						
		ABS	4A0560-01				o1	1	1	1	1	1	1
2	MODEL NUMBER LABEL	PETP FILM	443341-08	1	1	1	1	1	1	1	1	1	1
3	LABEL - PENGUIN (R)	PETP FILM	410994-01	1	1	1	1	1	1	1	x1		
		PETP FILM	4A0526-01								o1	1	1
4	MAINTENANCE LABEL	PVC FILM	326218-01	1	1	1	1	1	1	1	1	1	1
5	CAUTION LABEL (K)	PVC FILM	439150-01	1	1	1	1	1	1	1	1	1	1
6	WIRING LABEL	PVC FILM	329729-01	1	1	1	1	1	1	1	1	1	1
7	NAMEPLATE	PES FILM	443978-01	2	2	2	-						
		PES FILM	4A0693-01				2	2	2	2	2	1	1
8	INSTRUCTION SHEET	PAPER	218077-01	1	1	1	1	1	1	1	1	1	1
9	TAG - WARNING: ELECTRICAL CONNECTION	PAPER	428430-01	1	1	1	1	1	1	1	1	1	1
10	MANUAL LABEL	PVC FILM	324476-01	1	1	1	1	1	1	1	1	1	1
11	LABEL - R22	PES FILM	440362-01	1	1	1	1	1	1	1	1	1	1
12	OPERATION LABEL - VALVE	PVC FILM	439541-01	1	1	1	1	1	1	1	1	1	1
13	INSTRUCTION LABEL	PVC FILM	444575-01		1	1	1	1	1	1	1	1	1
14	RATING LABEL	-	4A1604-01									1	1
15	LABEL - CONTROL BOARD	-	3A0998-01										1

HA

KM-800MRE

E. LABEL LOCATION

C-0, C-1, C-2

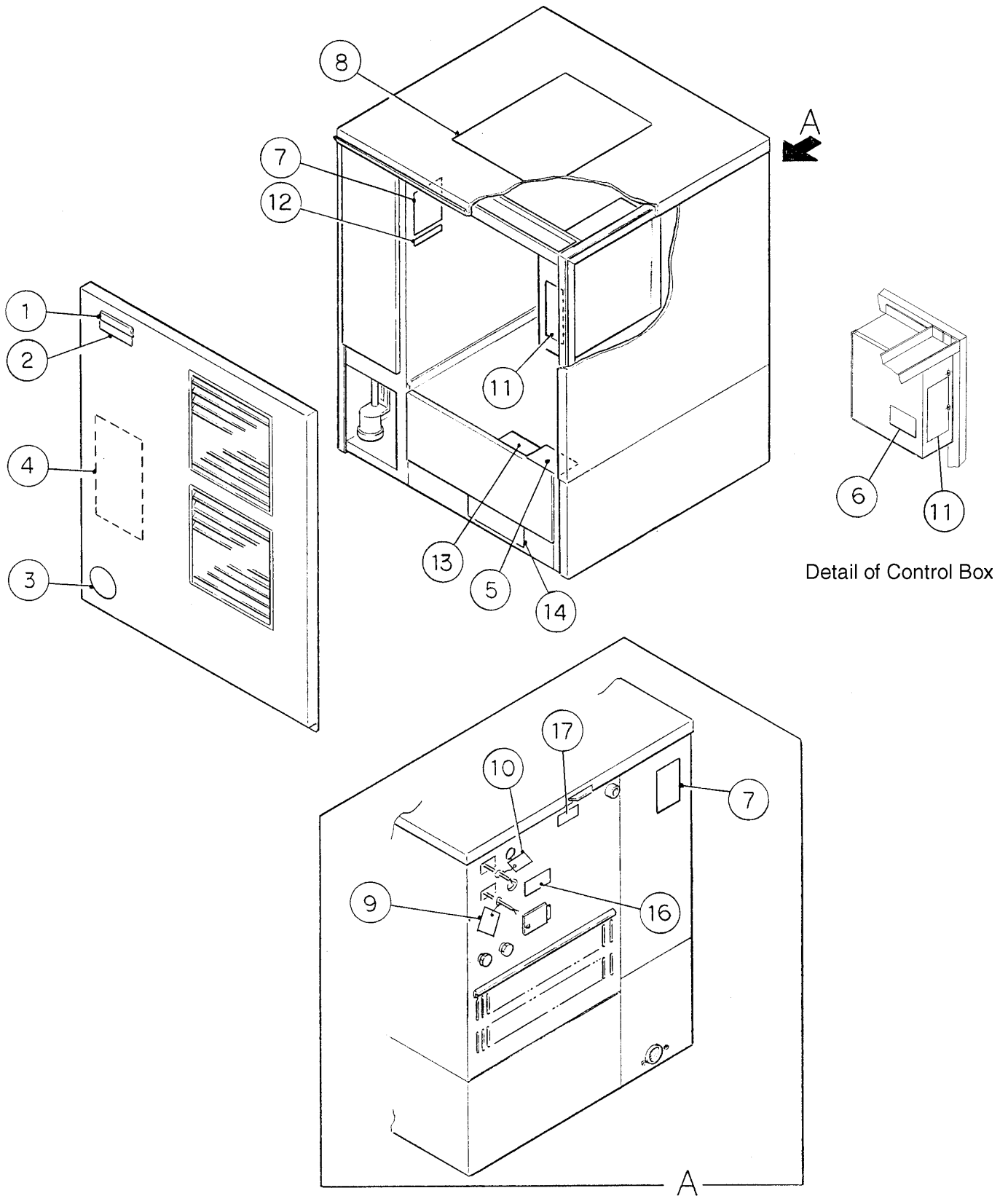


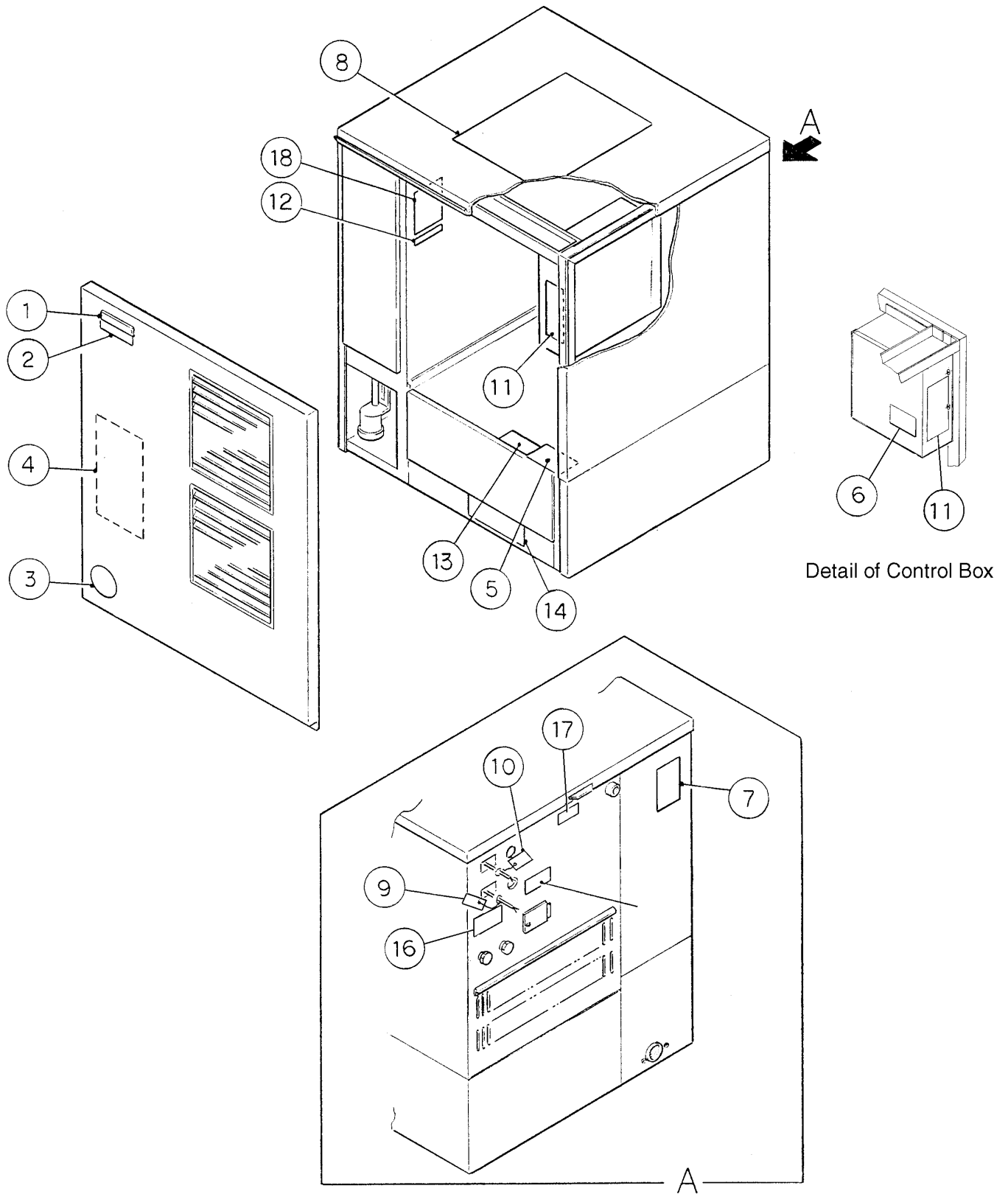
HA

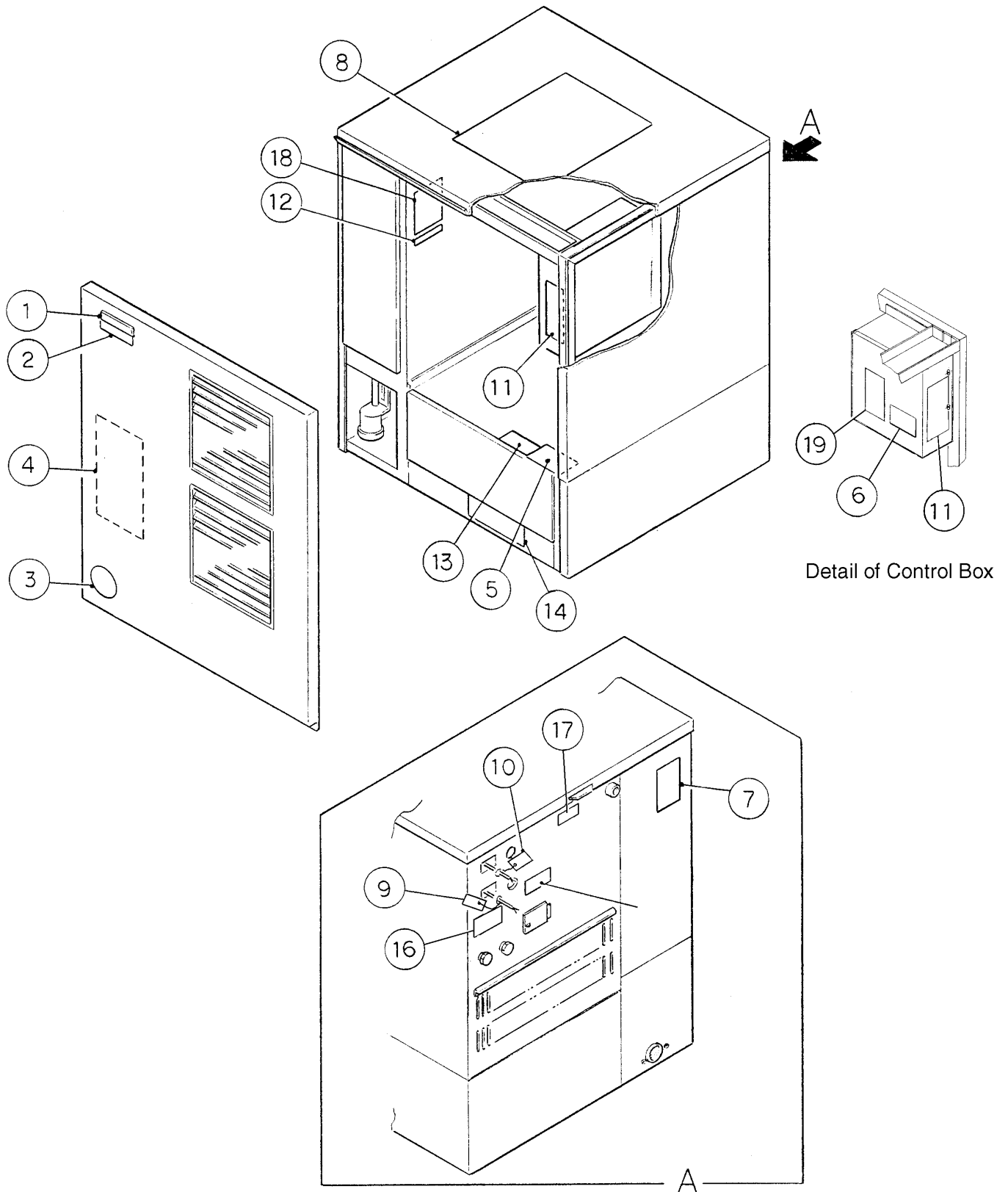
KM-800MRE

E. LABEL LOCATION

D-0, E-0, E-1, F-0, F-1, G-0, G-1, H-0







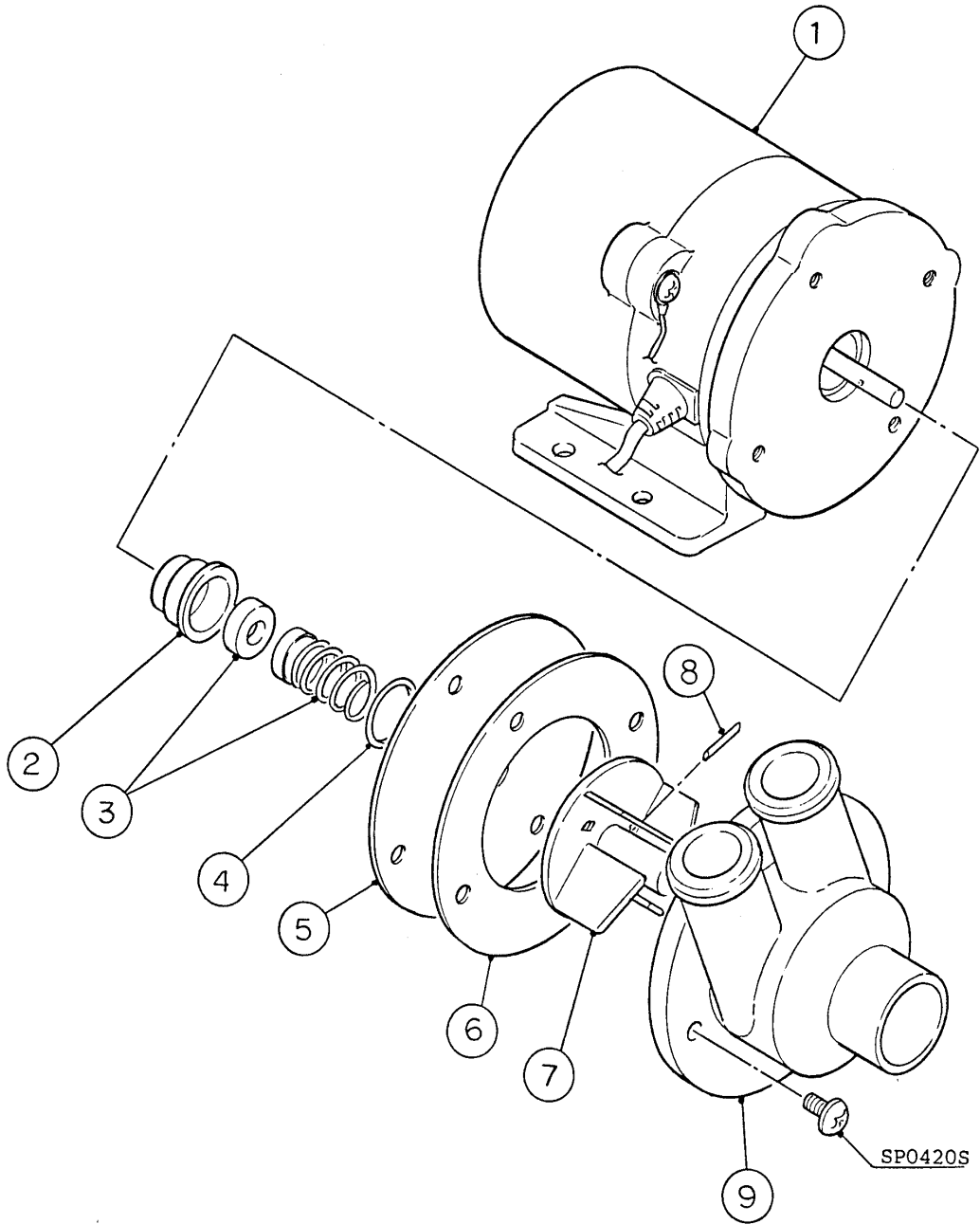
MODEL: KM-800MRE TITLE: E. LABEL LOCATION													
INDEX NO.	DESCRIPTION	MATERIAL OR MODEL	PART NUMBER	REQUIRED NUMBER									
				C-0	C-1	C-2	D-0	E-0	E-1	F-0 F-1	G-0 G-1 H-0	H-1	H-2 J-0
1	EMBLEM (L) - HOSHIZAKI	ABS	418634G01	1	1	1	x1						
		ABS	4A0560-01				o1	1	1	1	1	1	1
2	MODEL NUMBER LABEL	PETP FILM	443341-09	1	1	1	1	1	1	1	1	1	1
3	LABEL - PENGUIN (R)	PETP FILM	410994-01	1	1	1	1	1	1	1	x1		
		PETP FILM	4A0526-01								o1	1	1
4	MAINTENANCE LABEL	PVC FILM	326218-01	1	1	1	1	1	1	1	1	1	1
5	CAUTION LABEL (K)	PVC FILM	439150-01	1	1	1	1	1	1	1	1	1	1
6	WIRING LABEL	PVC FILM	329730-01	1	1	1	1	1	1	1	1	1	1
7	NAMEPLATE	PES FILM	443979-01	2	2	2	-						
		PES FILM	4A0694-01				2	2	2	2	2	2	2
8	INSTRUCTION SHEET	PAPER	218077-01	1	1	1	1	1	1	1	1	1	1
9	TAG - FAN MOTOR LEADS	PAPER	420742-01	1	1	1	x1						
		PAPER	4A0647-01				o1	1	1	1	1	1	1
10	TAG - WARNING: ELECTRICAL CONNECTION	PAPER	428430-01	1	1	1	1	1	1	1	1	1	1
11	MANUAL LABEL	PVC FILM	324476-01	1	1	1	1	1	1	1	1	1	1
12	LABEL - CHARGE	PES FILM	443221-03	1	1	1	1	1	1	1	1	1	1
13	LABEL - R22	PES FILM	440362-01	1	1	1	1	1	1	1	1	1	1
14	OPERATION LABEL - VALVE	PVC FILM	439541-01	1	1	1	1	1	1	1	1	1	1
15	LABEL - CONNECTION	PVC FILM	438234-01	1	1	1	-						
16	CAUTION LABEL	PVC FILM	441890-01	1	1	1	1	1	1	1	1	-	
	CAUTION – REMOTE LABEL	PVC FILM	4A1491-01									1	1
17	INSTRUCTION LABEL	PVC FILM	444575-01		1	1	1	1	1	1	1	1	1
18	RATING LABEL	-	4A1606-01									1	1
19	LABEL – CONTROL BOARD	-	3A0998-01										1

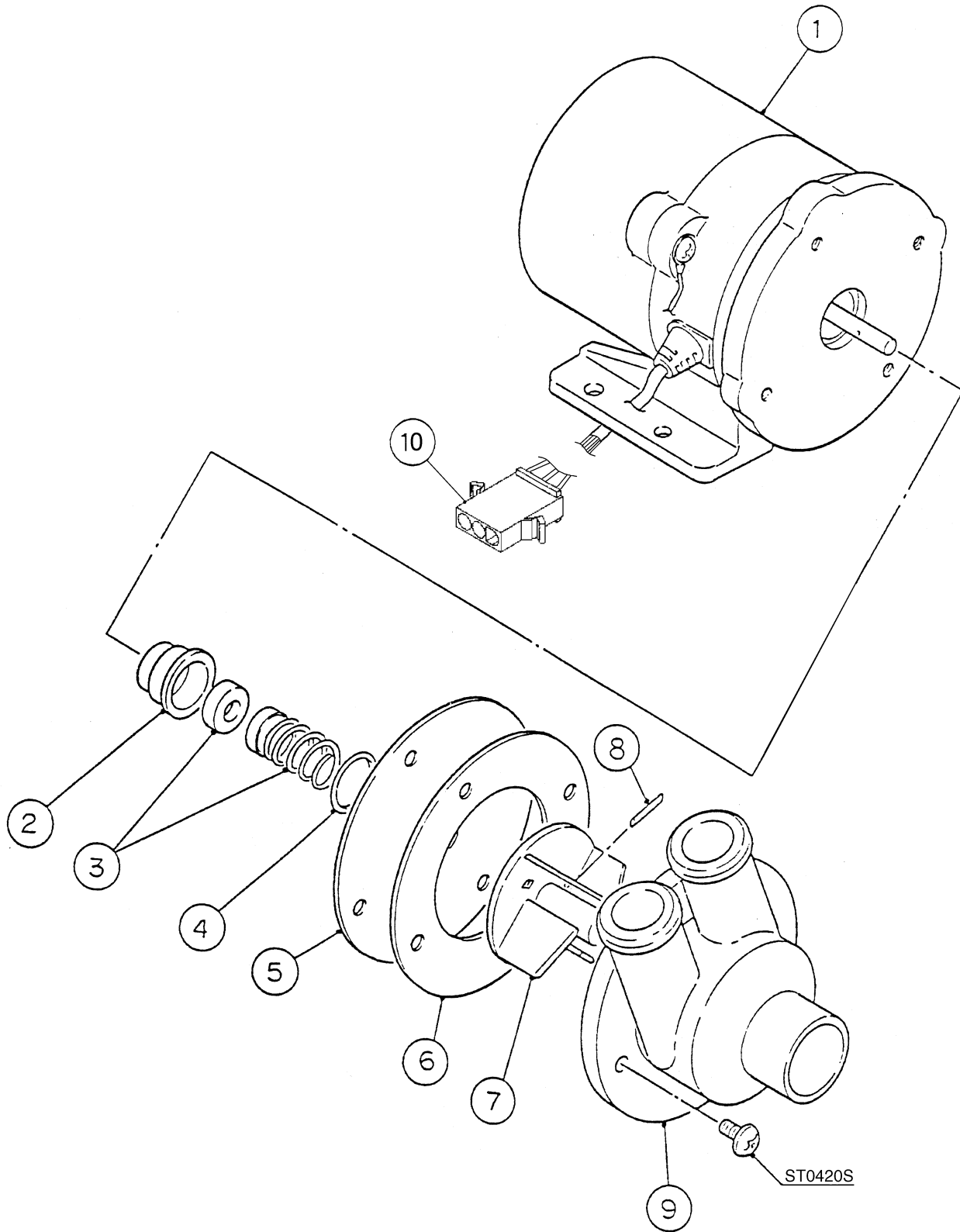
HA

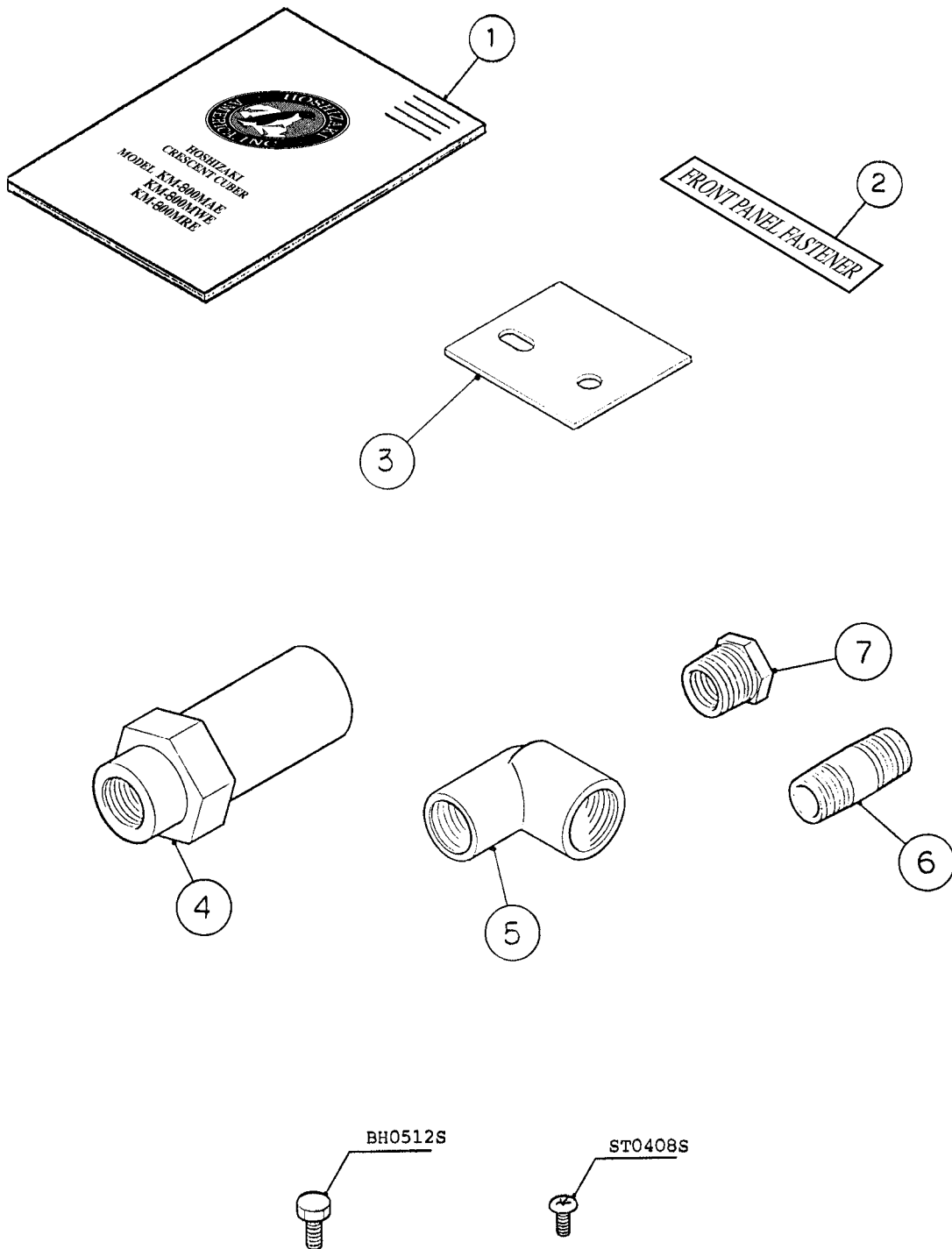
KM-800MAE, MWE, MRE

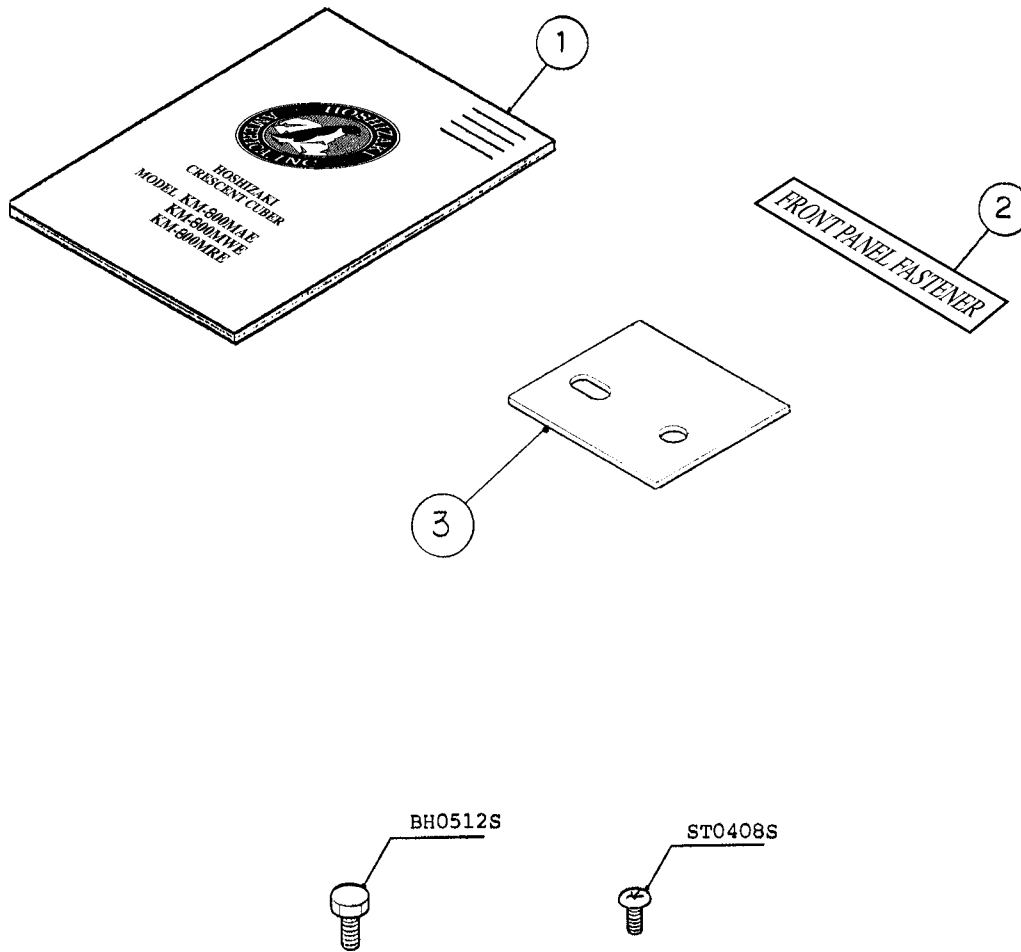
F. PUMP MOTOR ASSEMBLY

C-0, C-1, C-2, D-0, E-0, E-1,
F-0, F-1, G-0, G-1, H-0, H-1,
H-2, H-3, H-4









HA

KM-800MAE, MWE, MRE

H. ACCESSORIES

C-2, D-0, E-0, E-1, F-0, F-1
G-0, G-1, H-0, H-1, H-2,
H-3, H-4, J-0

