



HOSHIZAKI

Parts List

Modular Crescent Cuber

Models

KM-350MAJ, MWJ

KM-420MAJ, MWJ, MRZ

KM-520MAJ, MWJ, MRJ, MRZ

KM-660MAJ, MWJ, MRJ, MRJZ



CONTENTS

Auxiliary Codes.....	3
Auxiliary Codes.....	4
A. Main Assembly and Refrigeration Circuit.....	6
KM-350MAJ, KM-420MAJ, KM-520MAJ, KM-660MAJ	6
KM-350MWJ, KM-420MWJ, KM-520MWJ, KM-660MWJ	9
KM-420MRJZ, KM-520MRJ(Z), KM-660MRJ(Z)	12
B. Water Circuit	14
C. Control Box Assembly	16
D. Accessories & Labels	19

Auxiliary Codes

KM-350MAJ

H-0 May 2018
J-0 January 2019
J-1 November 2019
K-0 January 2020
K-1 June 2020
K-2 October 2020
L-0 January 2021
L-1 September 2021
M-0 January 2022

KM-350MWJ

H-0 May 2018
J-0 January 2019
J-1 November 2019
K-0 January 2020
K-1 October 2020
L-0 January 2021
L-1 September 2021
L-2 November 2021
M-0 February 2022

KM-420MAJ

M-0 May 2022

KM-420MWJ

M-0 May 2022

KM-420MRJZ

M-0 May 2022

KM-520MAJ

H-0 May 2018
J-0 January 2019
J-1 November 2019
K-0 January 2020
K-1 July 2020
K-2 October 2020
L-0 January 2021
M-0 February 2022

KM-520MWJ

H-0 MAY 2018
J-0 February 2019
J-1 November 2019
K-0 January 2020
K-1 October 2020
L-0 January 2021
L-1 November 2021
M-0 February 2022

KM-520MRJ

H-0 May 2018
J-0 January 2019
J-1 November 2019
K-0 February 2020
K-1 October 2020
L-0 January 2021

KM-520MRJZ

L-0 October 2021
L-1 November 2021
M-0 February 2022

Auxiliary Codes continued

KM-660MAJ

H-0 May 2018
J-0 February 2019
J-1 November 2019
K-0 January 2020
K-1 July 2020
K-2 October 2020
L-0 January 2021
L-1 November 2021
M-0 February 2022

KM-660MWJ

H-0 May 2018
J-0 February 2019
K-0 January 2020
K-1 October 2020
L-0 January 2021
L-1 November 2021
M-0 February 2022

KM-660MRJ

H-0 May 2018
J-0 January 2019
J-1 November 2019
K-0 February 2020
L-0 January 2021

KM-660MRJZ

L-0 October 2021
L-1 November 2021
M-0 February 2022

***K Control Board (2A8242-02) to K+ Control Board (2A9678-01) and
Ultra Sonic Bin Control (4A6148G01) to Mechanical Bin Control (2A8598G01)**

Auxiliary Code Break

K+Control Board (2A9678-01)

KM-350MAJ L19077K to L19236K and Later

KM-520MAJ L02153K to L02411K and Later

KM-660MAJ L05262K to L05441K and Later

KM-660MWJ L00674K to L00693K and Later

Mechanical Bin Control 2A8598G01

KM-350MAJ L19077K to L19236K and Later

KM-520MAJ L02153K to L02411K and Later

KM-660MAJ L05262K to L05441K and Later

KM-660MWJ L00674K to L00693K and Later

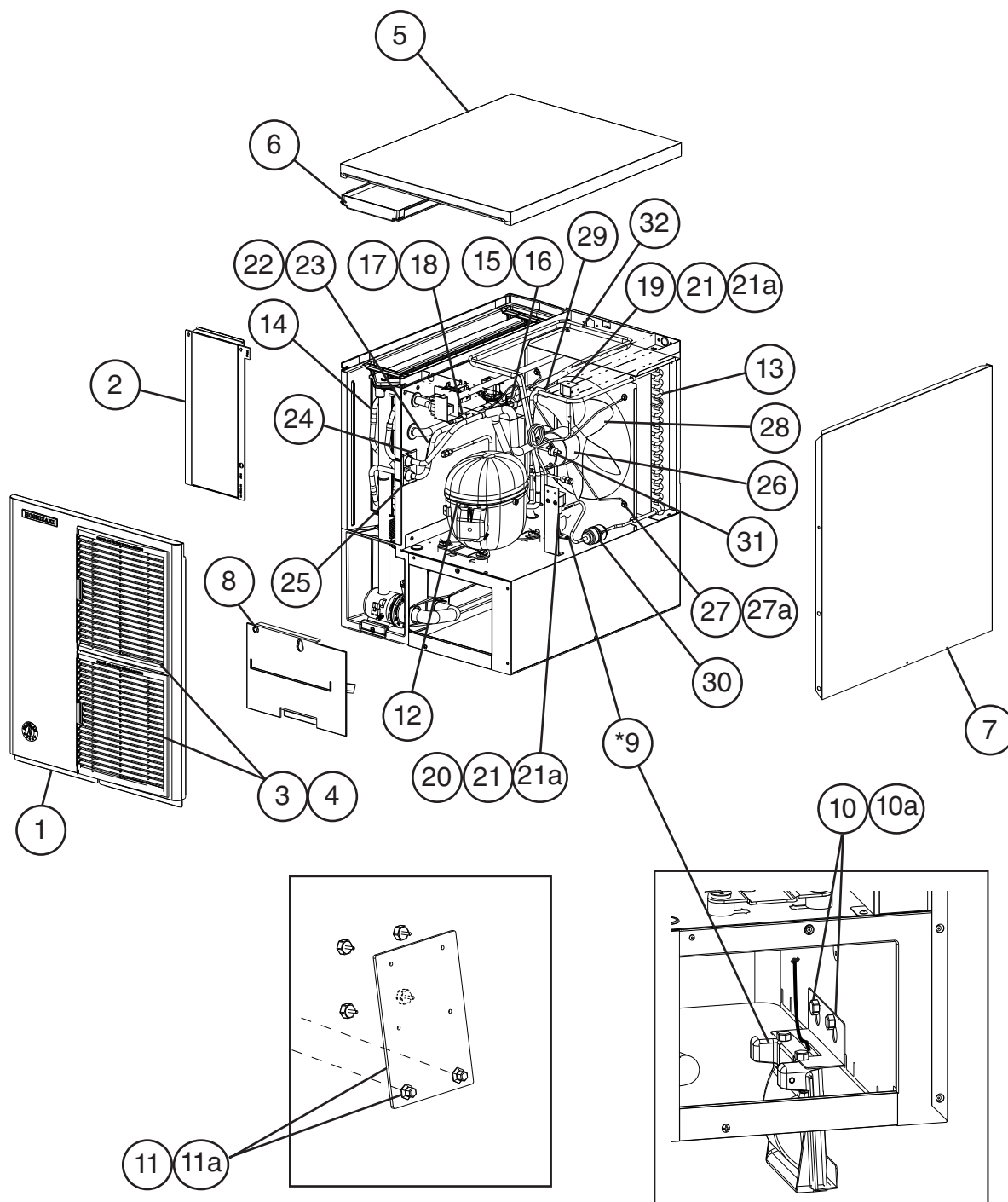
Auxiliary Code Breakdown

The auxiliary code is the first two characters in the serial number. The first character indicates the year. Years progress or regress in alphabetical order. The series runs from "A" through "V" and the letters "I" and "O" are skipped. The second character indicates significant part changes within a year. Base is "0" and this number advances for each change. In cases where there is a letter in parentheses, this designates the month. This is the last character in the serial number. The series runs from "(A)" through "(M)" and the letter "(I)" is skipped. This designation is only included when identifying a parts change within an auxiliary code.

Note About Ordering Parts

Most assemblies cannot be ordered as complete units; parts in the assemblies generally must be ordered separately.

A. Main Assembly and Refrigeration Circuit
KM-350MAJ, KM-420MAJ, KM-520MAJ, KM-660MAJ
 H-0 to M-0



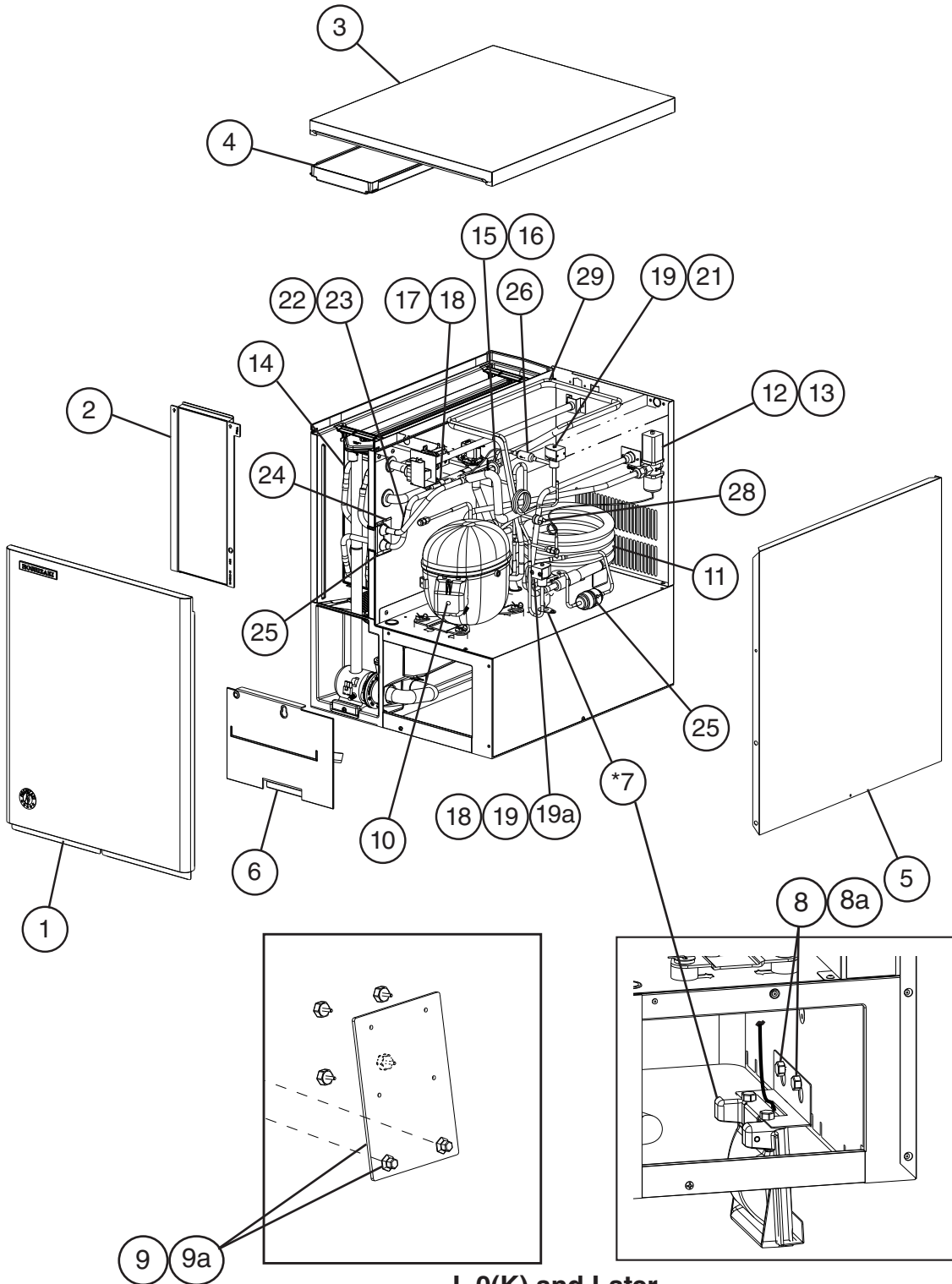
L-0(K) and Later
 *See page 5 "Aux Code Break"

Title: A. Main Assembly and Refrigeration Circuit Model: KM-350MAJ, KM-420MAJ, KM-520MAJ, KM-660MAJ

Index No.	Description	Material or Model Number	Part Number	Required Number										
				H-0 to L-0 (J)	L-0 (K)	L-0 (L) to L-1 (J)	L-1 (K)	L-1 (L) to M-0						
Main Assembly														
1	Front Panel		1A6158-01	1	1	1	1	1						
2	Front Insulation		3A9354G01	1	1	1	1	1						
3	Louver (includes item 4)		2A6649A01	2	2	2	2	2						
4	Air Filter		2A2062G01	2	2	2	2	2						
5	Top Panel		1A4554-01	1	1	1	1	1						
6	Top Insulation		3A9353G01	1	1	1	1	1						
7	Right Side Panel		1A5480-01	1	1	1	1	1						
8	Base Cover		3A9771-01	1	1	1	1	1						
9	Ultra Sonic Bin Control *See page 5 "Aux Code Break"	KM-350MAJ	4A6148G01	1	1	1	*1	1						
		KM-420MAJ						1						
		KM-520MAJ		1	*1	1	1	1						
		KM-660MAJ		1	-	1	1	1						
	Mechanical Bin Control *See page 5 "Aux Code Break"	KM-350MAJ	2A8598G01				*1	-						
		KM-520MAJ			*1	-								
		KM-660MAJ			1	-								
	10	Mechanical Bin Contrl Bracket	KM-350MAJ	3A8283-02				*1	-					
KM-520MAJ					*1	-								
KM-660MAJ					1	-								
10a	Thumbscrews	KM-350MAJ	415949G08				*2	-						
		KM-520MAJ			*2	-								
		KM-660MAJ			*2	-								
11	Mechanical Bin Control Extention Bracket	KM-350MAJ	4A5046G01				*1	-						
		KM_520MAJ			*1	-								
		KM-660MAJ			*1	-								
11a	Thumbscrews	KM-350MAJ	415949G08				*6	-						
		KM-520MAJ			*6	-								
		KM-660MAJ			*6	-								
Refrigeration Circuit														
12	Compressor	KM-350MAJ	4A5090-01	1	1	1	1	1						
		KM-420MAJ	4A4479-01						1					
		KM-520MAJ	4A4479-01	1	1	1	1	1						
		KM-660MAJ	4A5158-01	1	1	1	1	1						
13	Condenser	KM-350MAJ	1A4582-01	1	1	1	1	1						
		KM-420MAJ	1A4584-01						1					
		KM-520MAJ KM-660MAJ	1A4584-01	1	1	1	1	1						
14	Evaporator		2A7810G01	1	1	1	1	1						
15	Thermostatic Expansion Valve		4A4008-01	1	-									
			4A4008-02		1	1	1	1						
16	Thermostatic Expansion Valve Cover		3A0944-01	1	1	1	1	1						
17	Thermostatic Expansion Valve Bulb Holder		3A0107-01	1	1	1	1	1						
18	Hose Clamp		443461-02	1	1	1	1	1						
19	Hot Gas Valve Body		4A3978-01	1	1	1	1	1						

Title: A. Main Assembly and Refrigeration Circuit				Model: KM-350MAJ, KM-420MAJ, KM-520MAJ, KM-660MAJ																
Index No.	Description	Material or Model Number	Part Number	Required Number																
				H-0 to L-0 (J)	L-0 (K)	L-0 (L) to L-1 (J)	L-1 (K)	L-1 (L) to M-0												
20	Liquid Line Valve Body		4A3276-01	1	1	1	1	1												
21	Coil Valve With Bolt		4A3277-01	2	2	2	2	2												
22	Thermistor		429006-03	1	1	1	1	1												
23	Thermistor Holder		427430-01	1	1	1	1	1												
24	Rubber Insulation A		3A9637-01	1	1	1	1	1												
25	Rubber Insulation B		3A9638-01	1	1	1	1	1												
26	Fan Motor		4A3158-01	1	1	1	1	1												
27	Fan Motor Bracket		2A7974-02	1	1	1	1	1												
27a	Hex Bolt	5x12, SS	7B0230512	4	4	4	4	4												
28	Fan Blade		4A0197-01	1	1	1	1	1												
29	Strainer		441569-02	1	1	1	1	1												
30	Drier		4A1113-01	1	1	1	1	1												
31	High-Pressure Switch		463180-01	1	1	1	1	1												
32	Heat Exchanger		2A9117G01	1	1	1	1	1												

A. Main Assembly and Refrigeration Circuit
KM-350MWJ, KM-420MWJ, KM-520MWJ, KM-660MWJ
H-0 to M-0



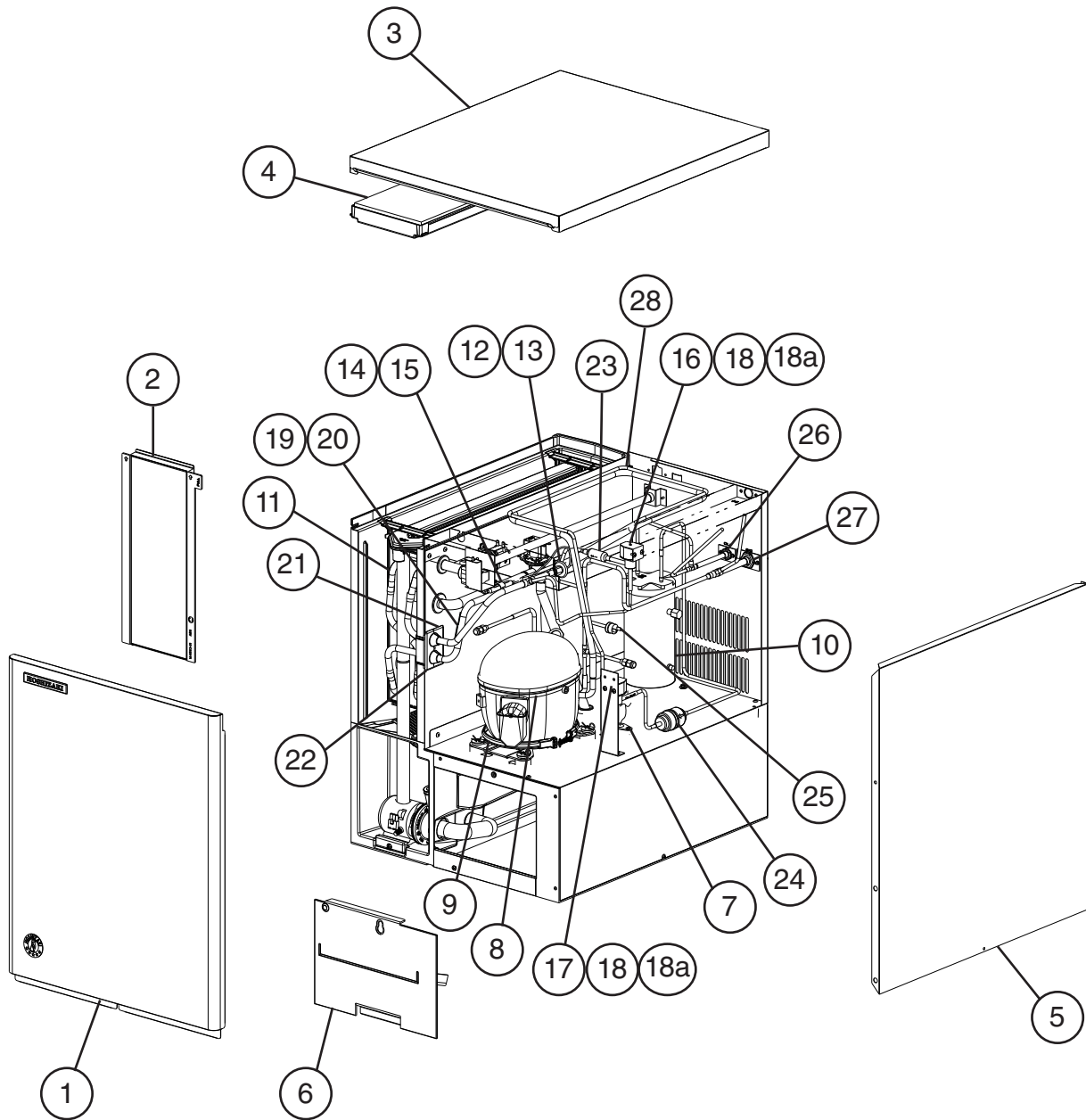
L-0(K) and Later

*See page 5 "Aux Code Break"

Title: A. Main Assembly and Refrigeration Circuit				Model: KM-350MWJ, KM-420MWJ, KM-520MWJ, KM-660MWJ							
Index No.	Description	Material or Model Number	Part Number	Required Number							
				H-0 to J-0	J-1 to L-0 (J)	L-0 (K)	L-1 to M-0				
Main Assembly											
1	Front Panel		1A6158-02	1	1	1	1				
2	Front Insulation		3A9354G01	1	-						
3	Top Panel		1A5321G01	1	-						
			1A4554-01		1	1	1				
4	Top Insulation		3A9353G01	1	1	1	1				
5	Right Side Panel		1A5004-01	1	1	1	1				
6	Base Cover		3A9771-01	1	1	1	1				
*7	Ultra Sonic Bin Control *See page 5 "Aux Code Break"	KM-350MWJ	4A6148G01	1	1	1	1				
		KM-420MWJ					1				
		KM-520MWJ		1	1	1	1				
		KM-660MWJ		1	1	*-	1				
	Mechanical Bin Control *See page 5 "Aux Code Break"	KM-660MWJ	2A8598B01			*1	-				
8	Mechanical Bin Control Bracket	KM-660MWJ	3A8598G01			1	-				
8a	Thumbscrews	KM-660MWJ	41594G08			2	-				
9	Mechanical Bin Control Extention Bracket	KM-660MWJ	4A5046G01			1	-				
9s	Thumbscrews	KM-660MWJ	438220-01			6	-				
Refrigeration Circuit											
10	Compressor	KM-350MWJ	4A5090-01	1	1	1	1				
		KM-420MWJ	4A4479-01				1				
		KM-520MWJ	4A4479-01	1	1	1	1				
		KM-660MWJ	4A5158-01	1	1	1	1				
11	Condenser		3A7321-01	1	1	1	1				
12	Water Regulating Valve	KM-350MWJ	4A0911-06	1	1	1	1				
		KM-520MWJ									
		KM-350MWJ	4A0911-04				1				
		KM-420MWJ									
		KM-520MWJ									
		KM-660MWJ	4A0911-07	1	1	1	1				
13	Male Connector		4A1087-01	1	1	1	1				
14	Evaporator		1A4119G01	1	1	1	1				
15	Thermostatic Expansion Valve		4A4008-01	1	1	1	1				
16	Thermostatic Expansion Valve Cover		3A0944-01	1	1	1	1				
17	Thermostatic Expansion Valve Bulb Holder		3A0107-01	1	1	1	1				
18	Hose Clamp		443461-02	1	1	1	1				
19	Hot Gas Valve Body		4A3978-01	1	1	1	1				
20	Liquid Line Valve Body		4A3276-01	1	1	1	1				
21	Valve Coil		4A3277-01	2	2	2	2				
21a	Bolt		4A3277F01	2	2	2	2				
22	Thermistor		429006-03	1	1	1	1				
23	Thermistor Holder		427430-01	1	1	1	1				
24	Rubber Insulation A		3A9637-01	1	1	1	1				
25	Rubber Insulation B		3A9638-01	1	1	1	1				

Title: A. Main Assembly and Refrigeration Circuit Model: KM-350MWJ, KM-420MWJ, KM-520MWJ, KM-660MWJ										
Index No.	Description	Material or Model Number	Part Number	Required Number						
				H-0 to J-0	J-1 to L-0 (J)	L-0 (K)	L-1 to M-0			
26	Strainer		441569-02	1	1	1	1			
27	Drier		4A1113-01	1	1	1	1			
28	High-Pressure Switch		463180-05	1	1	1	1			
29	Heat Exchanger		2A9117G01	1	1	1	1			

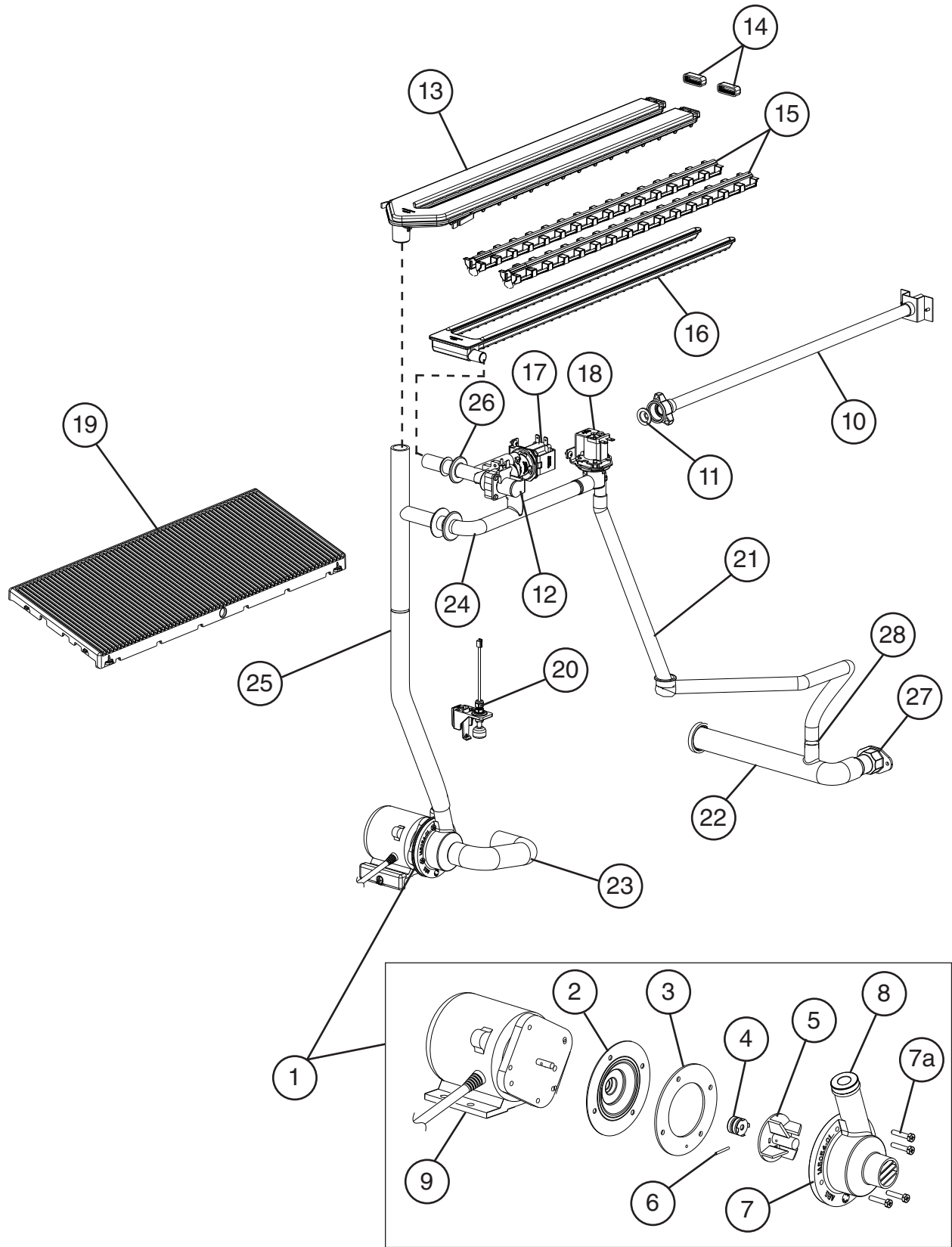
A. Main Assembly & Refrigeration Circuit
KM-420MRJZ, KM-520MRJ(Z), KM-660MRJ(Z)
H-0 to M-0



Title: A. Main Assembly & Refrigeration Circuit Model: KM-420MRJZ, KM-520MRJ(Z), KM-660MRJ(Z)										
Index No.	Description	Material or Model Number	Part Number	Required Number						
				H-0 to J-0	J-1 to L-0 (K)	L-0 (L)	M-0			
Ice Cuber Assembly										
1	Front Panel		1A6158-02	1	1	1	1			
2	Front Insulation		3A9354G01	1	1	1	1			
3	Top Panel		1A4554-01	1	1	1	1			
4	Top Insulation		3A9353G01	1	1	1	1			
5	Right Side Panel		1A5480-01	1	1	1	1			
6	Base Cover		3A9771-01	1	1	1	1			
7	Ultra Sonic Bin Control		4A6148G01	1	1	1	1			
Refrigeration Circuit										
8	Compressor	KM-420MRJZ				1				
		KM-520MRJ(Z)	4A4479-01	1	1	1				
		KM-660MRJ(Z)	4A5158-01	1	1	1				
9	Crankcase Heater		4A5091-01	1	1	1				
10	Receiver Tank		4A6212-01	1	1	1				
11	Evaporator	KM-420MRJZ	1A4119G02			1				
		KM-520MRJ(Z)	1A4119G01	1	1	1				
		KM-660MRJ(Z) SP-5425								
12	Thermostatic Expansion Valve		4A4008-02	1	1	1				
13	Thermostatic Expansion Valve Cover		3A0944-01	1	1	1				
14	Thermostatic Expansion Valve Bulb Holder		3A0107-01	1	1	1				
15	Hose Clamp		443461-02	1	1	1				
16	Hot Gas Valve Body		4A3978-01	1	1	1				
17	Liquid Line Valve Body		4A3276-01	1	1	1				
18	Valve Coil		4A3277-01	2	2	2				
18a	Bolt		4A3277-01	2	2	2				
19	Thermistor		429006-03	1	1	1				
20	Thermistor Holder		427430-01	1	1	1				
21	Rubber Insulation A		3A9637-01	1	1	1				
22	Rubber Insulation B		3A9638-01	1	1	1				
23	Strainer		441569-02	1	1	1				
24	Drier		4A1113-01	1	1	1				
25	High-Pressure Switch		463180-01	1	1	1				
26	Liquid Line Coupling	KM-520MRJ KM-660MRJ	4A3972G01	1	-					
	Liquid Line Service Valve	KM-420MRJZ	4A3491-01			1				
		KM-520MRJZ KM-660MRJZ			1	1				
27	Discharge Line Coupling	KM-520MRJ KM-660MRJ	434136G01	1	-					
	Discharge Line Service Valve	KM-420MRJZ	4A3491-01			1				
		KM-520MRJZ KM-660MRJZ			1	1				
28	Heat Exchanger		2A9117G01	1	1					

B. Water Circuit

KM-350M_J, KM-420M_J(Z), KM-520M_J(Z), KM-660M_J(Z)
H-0 to M-0



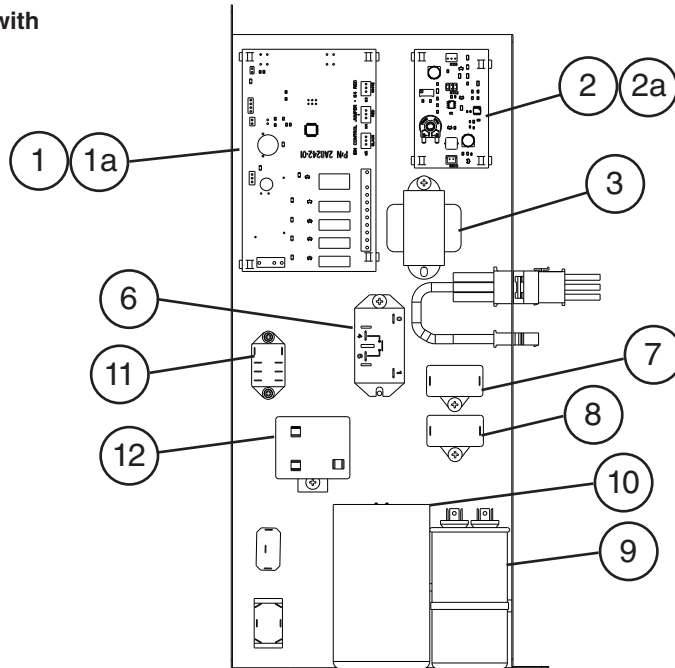
Title: B. Water Circuit Model: KM-350M_J, KM-420M_J(Z), KM-520M_J(Z), KM-660M_J(Z)

Index No.	Description	Material or Model Number	Part Number	Required Number									
				H-0 to K-0	K-1 to M-0								
1	Pump Motor Assembly (include items 2 through 8)		3A9728A01	1	1								
2	Pump Flange		3A2988-01	1	1								
3	Pump Gasket		4A2974-01	1	1								
4	Mechanical Seal		465627-03	1	1								
5	Impeller		433522-01	1	1								
6	Pin		4A0648-01	1	1								
7	Pump Housing		1A5054-01	1	-								
			3A9778G01		1								
7a	Screw	4x20	4A3871-01	4	4								
8	Reducing Pipe		4A6178-01	1	1								
9	Pump Motor Bracket		1A4670-01	1	1								
10	Water Supply Pipe		4A5216G04	1	1								
11	Rubber Gasket		413854-03	1	1								
12	Inlet Water Valve		3U0111-03	1	1								
13	Spray Tube		1A4571G01	1	1								
14	Plug		4A6069-01	2	-								
			4A6394-01		2								
15	Spray Guide		1A4581-01	2	2								
16	Water Supply Tube		1A4572G01	1	1								
17	Cleaning Valve		4A5745-01	1	1								
18	Drain Valve		4A5745-03	1	1								
19	Cube Guide		1A4568-01	1	1								
20	Float Switch		4A7080G01	1	1								
21	Silicone Hose	L= 140mm	7730-1114	1	1								
22	Drain Hose		1A4579-01	1	1								
23	Suction Hose		433466-01	1	1								
24	Bypass Hose		3A9544-01	1	1								
25	Water Hose		2A8823G01	1	1								
26	Water Supply Tee		3A9429-01	1	1								
27	Drain Fitting		4A5528-02	1	1								
28	Joint Pipe		4A6286-01	1	1								

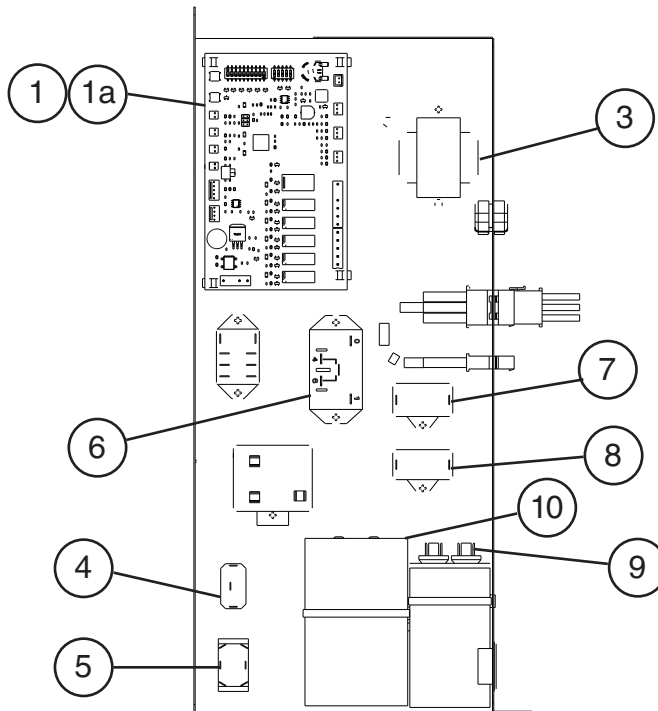
C. Control Box Assembly

KM-350M_J, KM-420M_J(Z), KM-520M_J(Z), KM-660M_J(Z)
H-0 to M-0

*K Control Board with
Ultrasonic Sensor
Control Board



*K+ Control Board



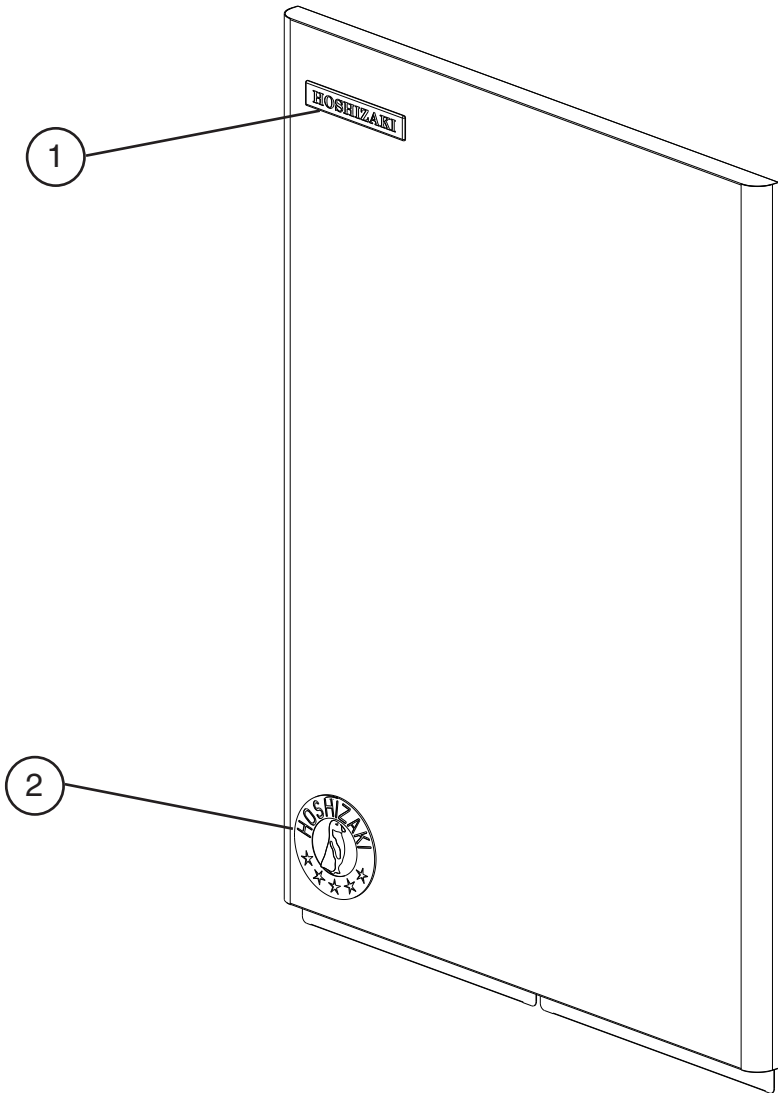
Title: C. Control Box Assembly Model: KM-350M_J, KM-420M_J(Z), KM-520M_J(Z), KM-660M_J(Z)											
Index No.	Description	Material or Model Number	Part Number	Required Number							
				H-0 to J-0	J-1 to L-0 (J)	L-0 (K)	L-0 (L) to L-1 (J)	L-1 (K)	L-1 (L) to L-1 (M)	M-0	
1	Control Board (K+ Orange) *See page 5 Aux Code Break	KM-350MAJ	2A8242-02	1	1	1	1	*1	-		
		KM-520MAJ		1	1	*1	-				
		KM-660MAJ		1	1	*1	-				
		KM-350MWJ		1	1	-					
		KM-520MWJ		1	1	-					
		KM-660MWJ		1	1	*1	-				
		KM-520MRJ		1	1	-					
		KM-660MRJ		1	1	-					
		KM-350MAJ	2A9678-01					*1	1	1	
		KM-420MAJ							1		
		KM-520MAJ				*1	1	1	1	1	
		KM-660MAJ				*1	1	1	1	1	
		KM-350MWJ				1	1	1	1	1	
		KM-420MWJ								1	
		KM-520MWJ				1	1	1	1	1	
		KM-660MWJ				*1	1	1	1	1	
		KM-420MRJZ								1	
KM-520MRJZ			1	1	1	1	1				
KM-660MRJZ			1	1	1	1	1				
1a	Control Board Support		4A0336-03	4	4	4	4	4	4	4	
2	Ultrasonic Bin Control Board *See page 4 "Aux Code Break"	KM-350MAJ	4A6149-01	1	1	1	1	*1	-		
		KM-520MAJ		1	1	*1	-				
		KM-660MAJ		1	1	*1	-				
		KM-350MWJ		1	1	-					
		KM-520MWJ		1	1	-					
		KM-660MWJ		1	1	*1	-				
		KM-520MRJ		1	1	-					
		KM-660MRJ		1	1	-					
2a	Control Board Support		4A0336-03	4	4	4	4	4	-		
3	Control Transformer		3A0172-01	1	1	1	1	1	1	1	
4	Control Switch		4A6232-01	1	1	1	1	1	1	1	
5	Mode Switch		4A0985-01	1	1	1	1	1	1	1	
6	Compressor Relay		4A3140-01	1	1	1	1	1	1	1	
7	Pump Motor Capacitor	5.5MFD, 250VAC	443192-03	1	-						
			4A6435-03		1	1	1	1	1	1	
8	Fan Motor Capacitor	KM-350MAJ KM-420MAJ KM-520MAJ KM-660MAJ 5.0MFD, 250VAC	443192-02	1	-						
			4A6435-03		1	1	1	1	1	1	
9	Run Capacitor	KM-350M_J KM-420M_J KM-520M_J 35MFD, 440VAC	3A2005-12	1	1	1	1	1	1	1	
			KM-660M_J 3A2005-07	1	1	1	1	1	1	1	

Title: C. Control Box Assembly Model: KM-350M_J, KM-420M_J(Z), KM-520M_J(Z), KM-660M_J(Z)													
Index No.	Description	Material or Model Number	Part Number	Required Number									
				H-0 to J-0	J-1 to L-0 (J)	L-0 (K)	L-0 (L) to L-1 (J)	L-1 (K)	L-1 (L) to L-1 (M)	M-0			
10	Start Capacitor	KM-350M_J 243-292MFP 165VAC	3A0076-20	1	1	1	1	1	1	1			
		KM-420M_J(Z) 243-292MFP 165VAC								1			
		KM-520M_J(Z) 243-292MFP 165VAC		1	1	1	1	1	1	1			
		KM-660M_J(Z) 243-292MFP 250VAC	3A0076-21	1	1	1	1	1	1	1	1		
11	Start Relay	KM-350M_J	4A1107-18	1	1	1	1	1	1	1	1		
		KM-420M_J(Z)	4A1107-11								1		
		KM-520M_J(Z)		1	1	1	1	1	1	1	1		
		KM-660M_J(Z)	4A1107-20	1	1	1	1	1	1	1	1		
12	Relay X10=Crankcase Heater Relay	KM-420MRJZ	406132-07								1		
		KM-520MRJ(Z)		1	1	1	1	1	1	1	1		
		KM-660MRJ(Z)											
13	Wire Harness	KM-350M_J	1A4291-01	1	1	1	1	-					
	Wire Harness A	KM-520M_J KM-660M_J	1A4291-02						1	1	1		
		KM-420M_J(Z)									1		
		KM-520MRJZ KM-660MRJZ						1	1	1			
14	Wire Harness B	KM-350M_J KM-520M_J KM-660M_J	1A4292-01	1	1	1	1	1	1	1	1		
		KM-420M_J(Z)									1		
		KM-520MRJZ KM-660MRJZ						1	1	1			
15	Wire Harness C	KM-420MRJ Z	1A5041-01								1		
		KM-520MRJ(Z) KM-660MRJ(Z)		1	1	1	1	1	1	1	1		

D. Accessories & Labels

KM-350M_J, KM-420M_J(Z), KM-520M_J(Z), KM-660M_J(Z)

H-0 to M-0



Title: D. Accessories & Labels Model: KM-350M_J, KM-420M_J(Z), KM-520M_J(Z), KM-660M_J(Z)					Required Number								
Index No.	Description	Material or Model Number	Part Number	H-0 to M-0									
1	Hoshizaki Emblem		4A0560-01	1									
2	Penguin Label		475552L02	1									
3	Universal Brace		4A0363-01	2									
3a	Hex Head Bolt	5x12, SS	7B02-0512	2									