



# HOSHIZAKI

## Parts List

Stackable Crescent Cuber

Models

KM-2600SWJ3

KM-2600SRJ3



[hoshizakiamerica.com](http://hoshizakiamerica.com)

Number: 71386  
Issued: 6-27-2017  
Revised: 10-2-2018

## CONTENTS

Auxiliary Codes.....	3
Note About Ordering Parts .....	3
A. Ice Cuber Assembly & Refrigeration Circuit .....	4
KM-2600SWJ3 .....	4
KM-2600SRJ3 .....	6
B. Water Circuit .....	8
C. Control Box Assembly .....	11
D. Accessories & Labels .....	12

## **Auxiliary Codes**

### **KM-2600SWJ3**

G-0 January 2017  
G-1 September 2017  
G-2 November 2017  
H-0 January 2018

### **KM-2600SRJ3**

G-0 January 2017  
G-1 September 2017  
G-2 November 2017  
H-0 January 2018

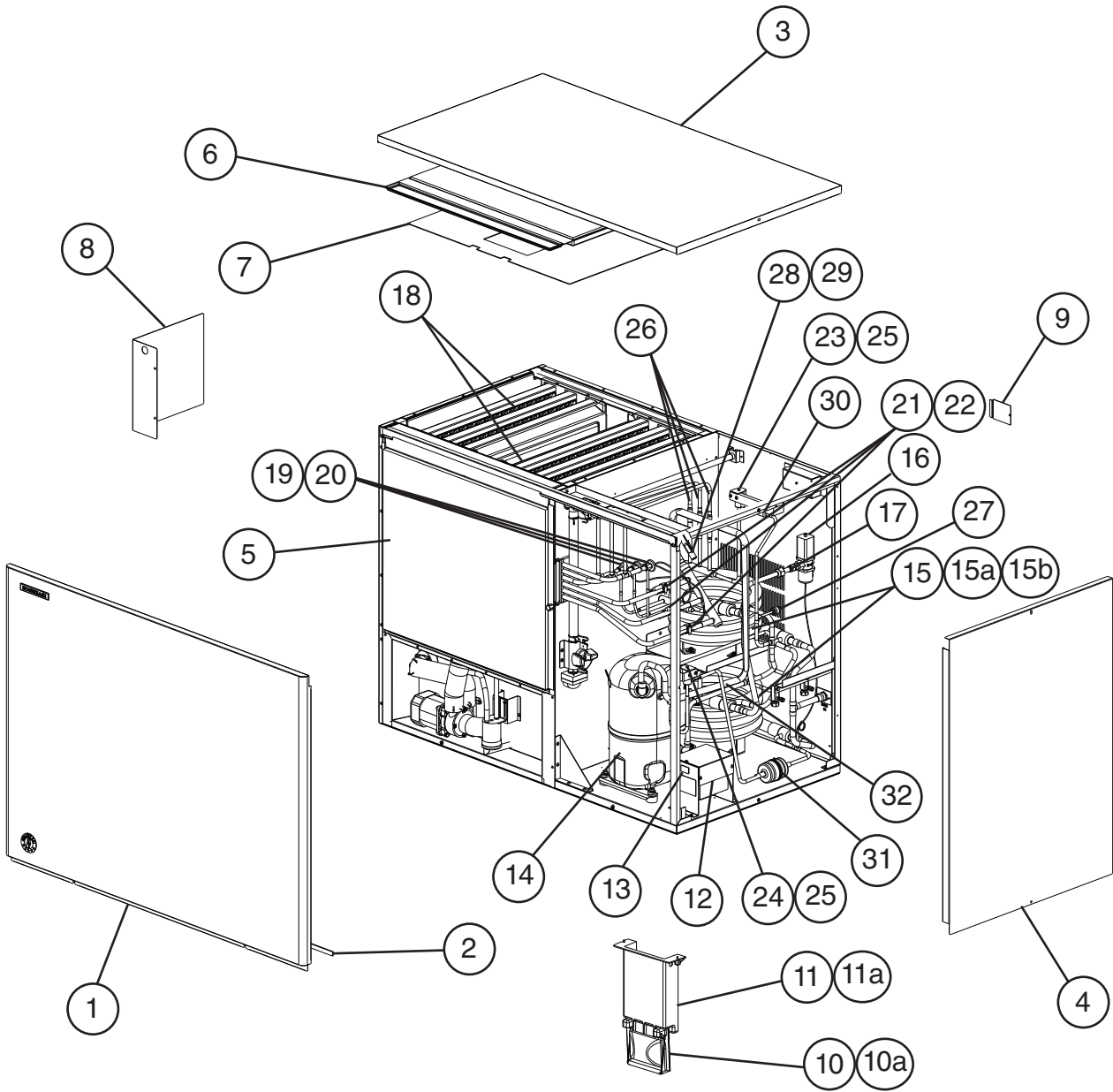
## **Auxiliary Code Breakdown**

The auxiliary code is the first two characters in the serial number. The first character indicates the year. Years progress or regress in alphabetical order. The series runs from "A" through "V" and the letters "I" and "O" are skipped. The second character indicates significant part changes within a year. Base is "0" and this number advances for each change. In cases where there is a letter in parentheses, this designates the month. This is the last character in the serial number. The series runs from "(A)" through "(M)" and the letter "(I)" is skipped. This designation is only included when identifying a parts change within an auxiliary code.

## **Note About Ordering Parts**

Most assemblies cannot be ordered as complete units; parts in the assemblies generally must be ordered separately.

**A. Ice Cuber Assembly & Refrigeration Circuit**  
**KM-2600SWJ3**  
 G-0 to H-0

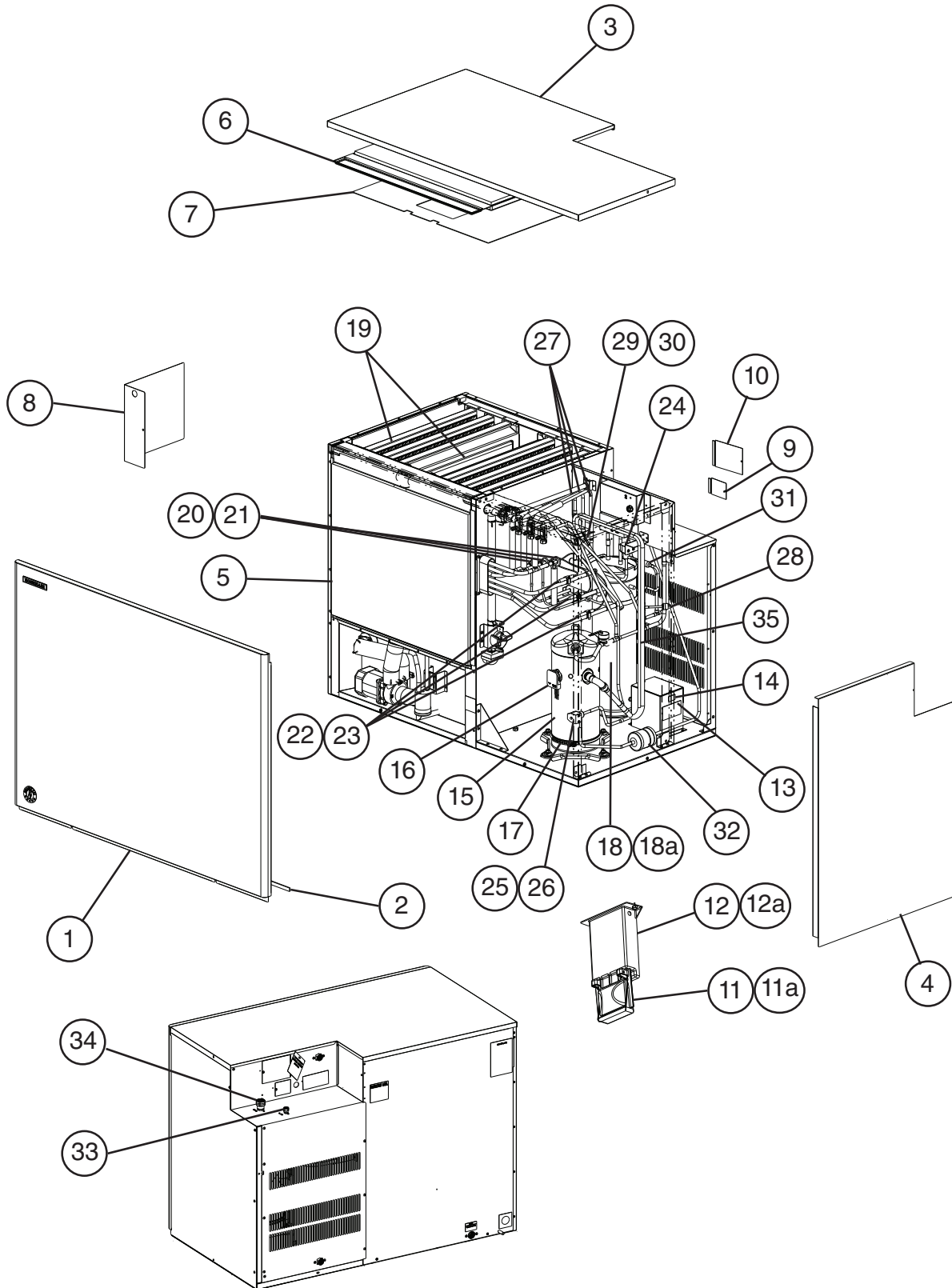


<b>Title: A. Ice Cuber Assembly &amp; Refrigeration Circuit</b>					<b>Model: KM-2600SWJ3</b>							
Index No.	Description	Material or Model Number	Part Number	G-0 to H-0	Required Number							
<b>Ice Cuber Assembly</b>												
1	Front Panel		3A1838G01	1								
2	Gasket		4A0808L02	1								
3	Top Panel		2A2255-01	1								
4	Right Side Panel		215381G02	1								
5	Front Insulation		326041G01	1								
6	Top Insulation		324216G01	1								
7	Spacer		324321-01	1								
8	Control Box Cover		3A2386-01	1								
9	Junction Box Cover		433410-01	1								
10	Bin Control		2A4393G01	1								
10a	Thumbscrews		415949G10	2								
11	Bin Control Mounting Bracket		3A5726-01	1								
11a	Thumbscrews		415949G10	2								
12	Main Transformer		4A5695-01	1								
13	Voltage Tap Switch		4A1477-01	1								
<b>Refrigeration Circuit</b>												
14	Compressor		4A5093-03	1								
15	Condenser		3A7236-01	2								
15a	Hex Head Bolt w/Washer	5x12	7B0130512	4								
15b	Condenser Bracket		3A7864-01	1								
16	Water Regulating Valve		4A0911-07	1								
17	Male Connector		4A1087-01	1								
18	Right or Left Evaporator Bank		SP-5371	2								
19	Thermostatic Expansion Valve		4A5847-01	3								
20	Thermostatic Expansion Valve Cover		3A0944-01	3								
21	Thermostatic Expansion Valve Bulb Holder		3A0107-01	3								
22	Clamp		443461-02	3								
23	Hot Gas Valve Body		4A3978-01	1								
24	Liquid Line Valve Body		4A3276-01	1								
25	Valve Coil		4A3277-01	2								
26	Check Valve		4A2054-01	3								
27	High-Pressure Switch		463180-05	1								
28	Thermistor		429006-03	1								
29	Thermistor Holder		438247-01	1								
30	Strainer		441569-02	1								
31	Drier		4A1338-01	1								
32	Heat Exchanger		2A8406G01	1								

# A. Ice Cuber Assembly & Refrigeration Circuit

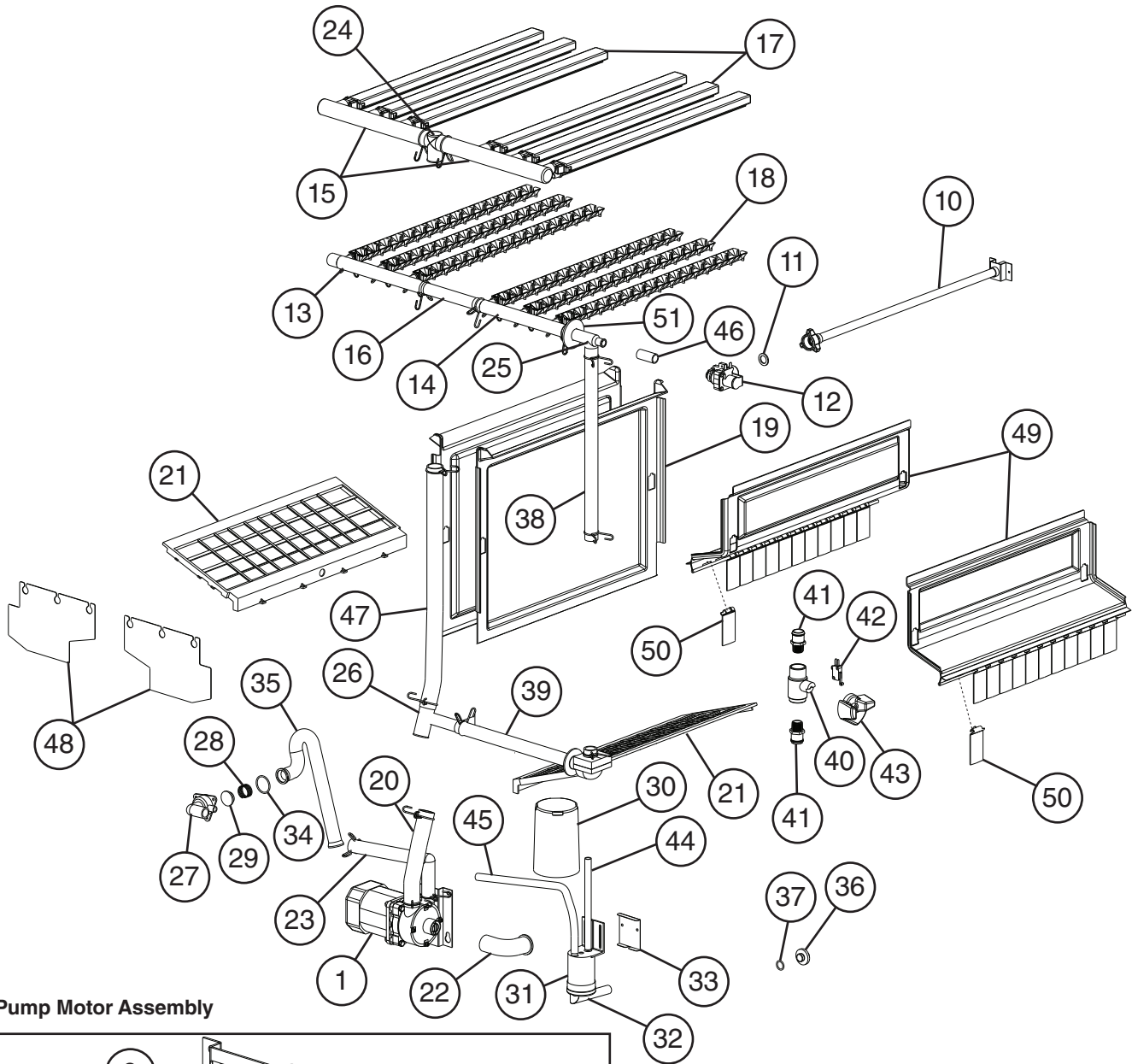
## KM-2600SRJ3

G-0 to H-0

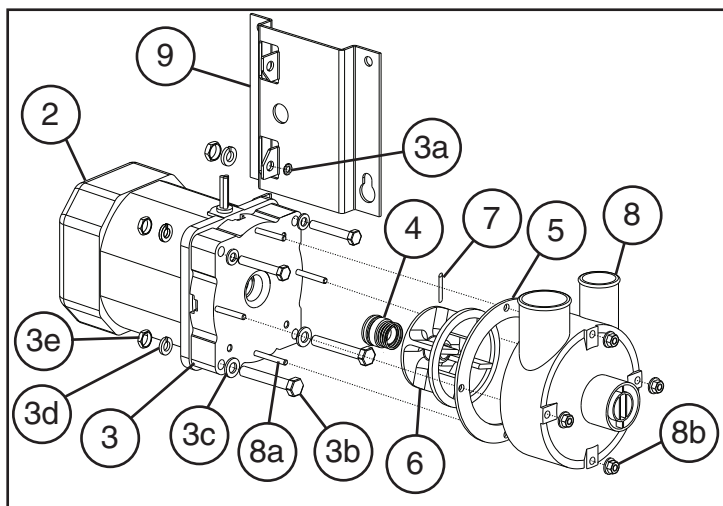


Title: A. Ice Cuber Assembly & Refrigeration Circuit Model: KM-2600SRJ3												
Index No.	Description	Material or Model Number	Part Number	G-0 to H-0	Required Number							
<b>Ice Cuber Assembly</b>												
1	Front Panel		3A1838G01	1								
2	Gasket		4A0808L02	1								
3	Top Panel		2A8390-01	1								
4	Right Side Panel		2A8391-01	1								
5	Front Insulation		326041G01	1								
6	Top Insulation		324216G01	1								
7	Spacer		324321-01	1								
8	Control Box Cover		3A2386-01	1								
9	Junction Box Cover (A)		433410-01	1								
10	Junction Box Cover (B)		4A4704-01	1								
11	Bin Control		2A4393G01	1								
11a	Thumbscrews		415949G10	2								
12	Bin Control Mounting Bracket		3A5726-01	1								
12a	Thumbscrews		415949G10	2								
13	Main Transformer		4A5695-01	1								
14	Voltage Tap Switch		4A1477-01	1								
<b>Refrigeration Circuit</b>												
15	Compressor		4A6007-01	1								
16	Compressor Plug		4A5751-01	1								
17	Crankcase Heater		4A5750-01	1								
18	Receiver		4A6215-01	1								
18a	Hex Head Bolt w/Washer	5x10	7B0130510	2								
19	Right or Left Evaporator Bank		SP-5371	2								
20	Thermostatic Expansion Valve		4A5847-01	3								
21	Thermostatic Expansion Valve Cover		3A0944-01	3								
22	Thermostatic Expansion Valve Bulb Holder		3A0107-02	3								
23	Clamp		443461-02	3								
24	Hot Gas Valve Body		4A3978-01	1								
25	Liquid Line Valve Body		4A3276-01	1								
26	Valve Coil		4A3277-01	2								
27	Check Valve		4A2054-01	3								
28	High-Pressure Switch		463180-04	1								
29	Thermistor		429006-03	1								
30	Thermistor Holder		438247-01	1								
31	Strainer		441569-02	1								
32	Drier		4A1338-01	1								
33	Liquid Line Coupling		426554-01	1								
34	Discharge Line Coupling		434072-01	1								
35	Heat Exchanger		2A8355G01	1								

**B. Water Circuit**  
**KM-2600SWJ3, KM-2600SRJ3**  
 G-0 to H-0



**Pump Motor Assembly**



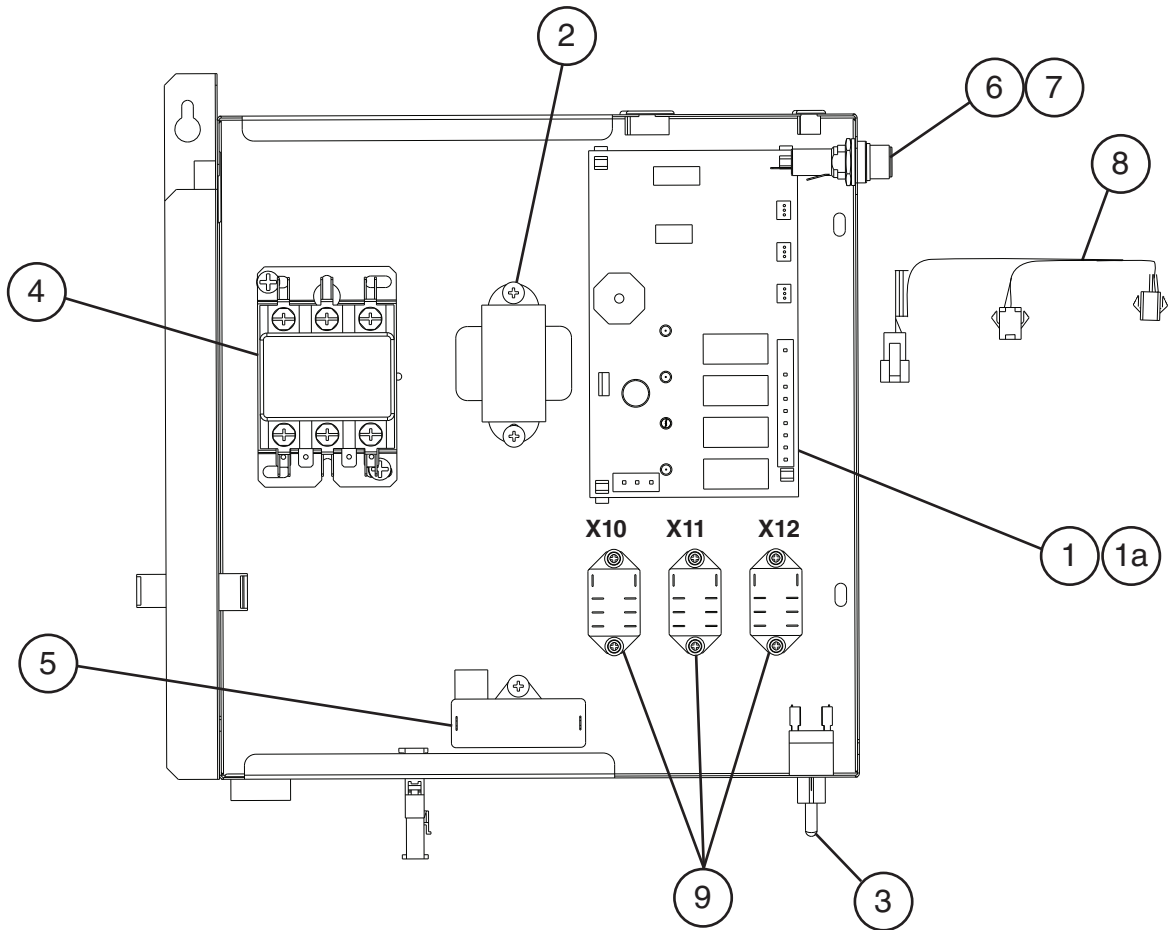


**Title: B. Water Circuit Model: KM-2600SWJ3, KM-2600SRJ3**

Index No.	Description	Material or Model Number	Part Number	Required Number										
				G-0 to H-0										
1	Pump Motor Assembly (includes items 2 through 8b)	S-0730	215692A03	1										
2	Pump Motor		2U0106-01	1										
3	Pump Flange		215662-01	1										
3a	Tooth Washer		7R22-0600	2										
3b	Hex Head Bolt	6x40	7B02-0640	4										
3c	Flat Washer		7W22-0600	4										
3d	Split Lock Washer		7L22-0600	4										
3e	Hex Nut		7N12-0600	4										
4	Mechanical Seal		4A3820-01	1										
5	Packing		428547-01	1										
6	Impeller		436584-01	1										
7	Pin		4A0648-01	1										
8	Pump Housing		213687-01	1										
8a	Hex Head Bolt	4x55	7B02-0455	4										
8b	Hex Flange Nut		7J02-0400	4										
9	Pump Motor Bracket		323904-01	1										
10	Water Supply Pipe		4A0768G11	1										
11	Rubber Gasket		413854-03	1										
12	Inlet Water Valve		3U0111-01	1										
13	Distributor Hose A		325738-01	1										
14	Distributor Hose B		325738-02	1										
15	Distributor Hose C		325739-01	2										
16	Joint Pipe		439297-01	1										
17	Spray Tube		437049G01	6										
18	Spray Guide		2A4282-02	6										
19	Separator A		215046-01	2										
20	Vinyl Hose	L=230 mm	7716-2732	1										
21	Cube Guide		214243-01	2										
22	Hose A		435091-01	1										
23	Hose B		325867-01	1										
24	Distributor A		439266-01	1										
25	Distributor B (Tee)		439239-01	1										
26	Distributor C		439238-01	1										
27	Drain Valve Housing		323613-01	1										
28	Drain Valve Spring		322110-01	1										
29	Drain Valve Seat		433705-01	1										
30	Overflow Cap		325866-01	1										
31	Float Switch Connector		426799-04	1										
32	Float Switch		4A3624-01	1										
33	Float Switch Stop		3A9640-01	1										
34	Drain Valve O-Ring		7611-G035	1										
35	Drain Hose		325869-01	1										
36	Drain Plug		309246-01	1										
37	O-Ring		7611-P015	1										
38	Joint Hose		439309-01	1										
39	Bypass Hose		439237-02	1										
40	Control Valve Ball Valve	S-0761	439293-01	1										

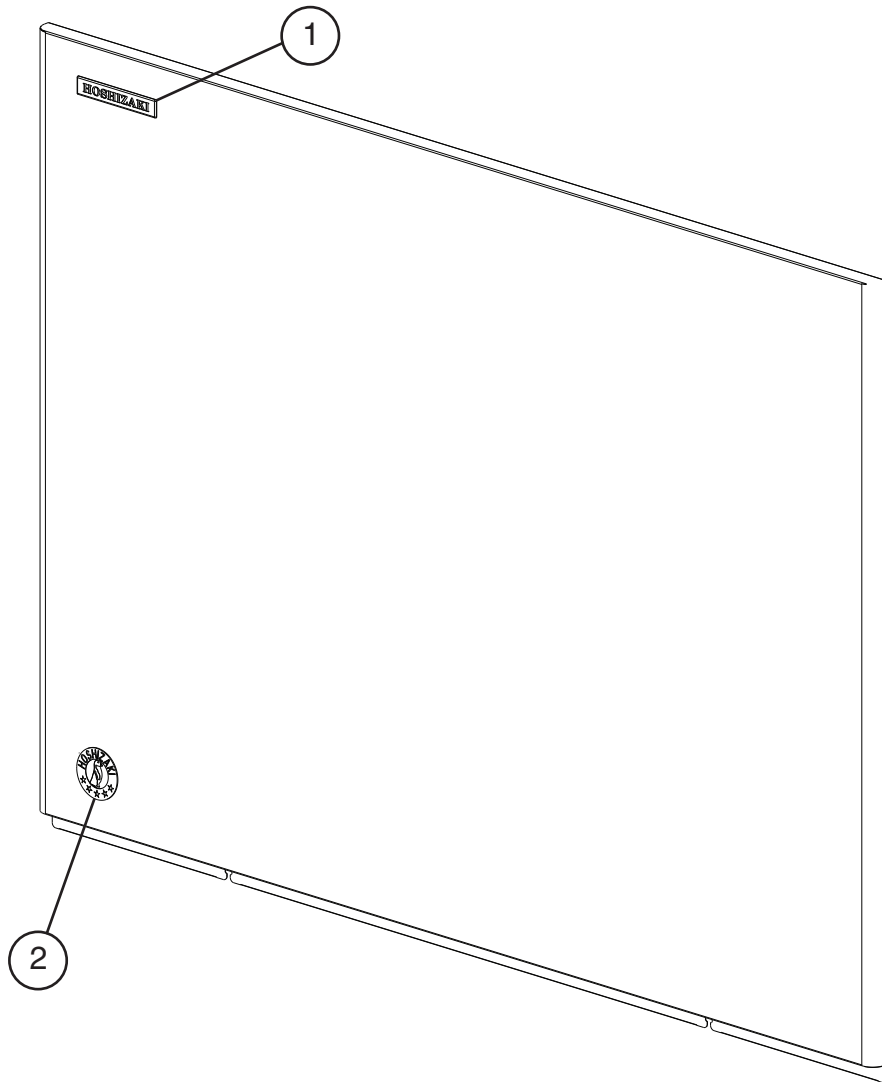
Title: B. Water Circuit Model: KM-2600SWJ3, KM-2600SRJ3												
Index No.	Description	Material or Model Number	Part Number	G-0 to H-0	Required Number							
41	Control Valve Male Adaptor		325826-01	2								
42	Control Valve Microswitch		4A2546-01	1								
43	Control Valve Handle		215383-01	1								
44	Silicone Hose	L=190 mm	7730I3812	1								
45	Silicone Hose	L=430 mm	7730I3896	1								
46	Vinyl Hose	L=40 mm	7716-1519	1								
47	Vinyl Hose	L=550 mm	7716-2732	1								
48	Splash Guard		4A6141-01	2								
49	Splash Curtain		1A4890-01	2								
50	Separator		3A9811-01	24								
51	Flange		439267-02	1								
<b>Hose Clamps</b>												
	Hose Clamp	25 mm	427443-03	9								
	Hose Clamp	=13.5 mm	427443-07	6								
	Hose Clamp	32 mm	427443-09	6								

**C. Control Box Assembly**  
**KM-2600SWJ3, KM-2600SRJ3**  
 G-0 to H-0



Title: C. Control Box Assembly Model: KM-2600SWJ3, KM-2600SRJ3					Required Number								
Index No.	Description	Material or Model Number	Part Number	G-0 to H-0									
1	Control Board		2A7664-04	1									
1a	Control Board Support		4A0336-03	4									
2	Control Transformer		3A0172-01	1									
3	Control Switch		443119-01	1									
4	Magnetic Contactor	<b>KM-2600SWJ3</b>	4A0794-02	1									
		<b>KM-2600SRJ3</b>	4A0794-01	1									
5	Pump Motor Capacitor	15MFD, 240VAC	439705-01	1									
6	Fuse Holder		4A5443-01	1									
7	Fuse	ACG-10A 250VAC	4A0893-07	1									
8	Bin Control Wire Harness		4A5197G01	1									
9	Relay (X10 = Pump Direction X11 = Control X12 = Slush Control)		406132-07	3									

**D. Accessories & Labels**  
**KM-2600SWJ3, KM-2600SRJ3**  
 G-0 to H-0



Title: D. Accessories & Labels Model: KM-2600SWJ3, KM-2600SRJ3												
Index No.	Description	Material or Model Number	Part Number	Required Number								
				G-0 to H-0								
1	Hoshizaki Emblem		4A0560-01	1								
2	Penguin Label		475552L02	1								
3	Universal Brace		4A0363-01	2								
4	Hex Head Bolt		7B02-0512	4								