



HOSHIZAKI

Parts List

Self-Contained Crescent Cuber

Model
KM-255BAH



hoshizakiamerica.com

Number: 71260
Issued: 12-11-2006
Revised: 4-3-2020

CONTENTS

Auxiliary Codes.....	3
Note About Ordering Parts	3
A. Main Assembly & Refrigeration Circuit	4
B. Water Circuit	7
C. Control Box Assembly A	10
D. Control Box Assembly B	10
E. Door Assembly	11
F. Accessories & Labels	11

Auxiliary Codes

KM-255BAH

R-0 December 2006
S-0 January 2007
T-0 January 2008
U-0 January 2009

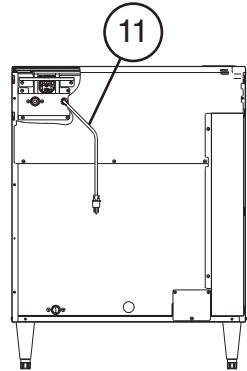
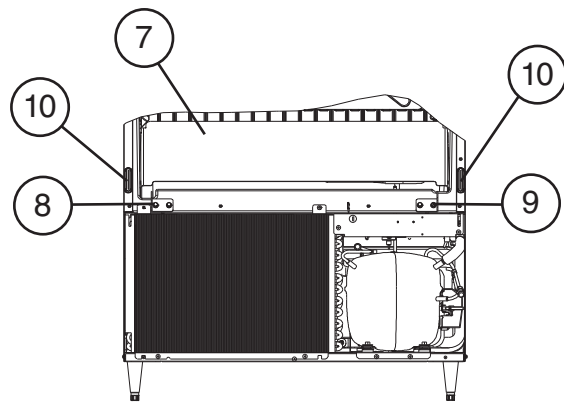
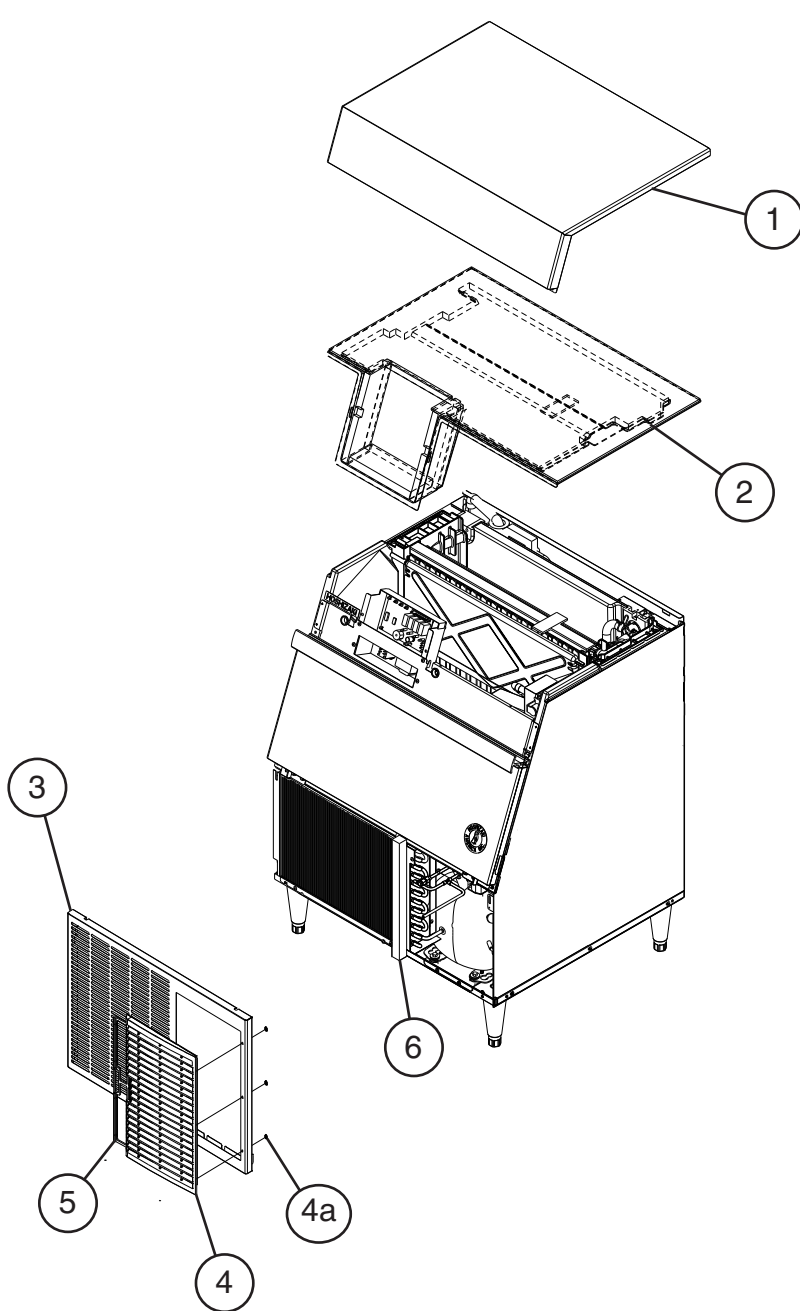
Auxiliary Code Breakdown

The auxiliary code is the first two characters in the serial number. The first character indicates the year. Years progress or regress in alphabetical order. The series runs from "A" through "V" and the letters "I" and "O" are skipped. The second character indicates significant part changes within a year. Base is "0" and this number advances for each change. In cases where there is a letter in parentheses, this designates the month. This is the last character in the serial number. The series runs from "(A)" through "(M)" and the letter "(I)" is skipped. This designation is only included when identifying a parts change within an auxiliary code.

Note About Ordering Parts

Most assemblies cannot be ordered as complete units; parts in the assemblies generally must be ordered separately.

A. Main Assembly & Refrigeration Circuit
KM-255BAH
1/2
R-0 to U-0

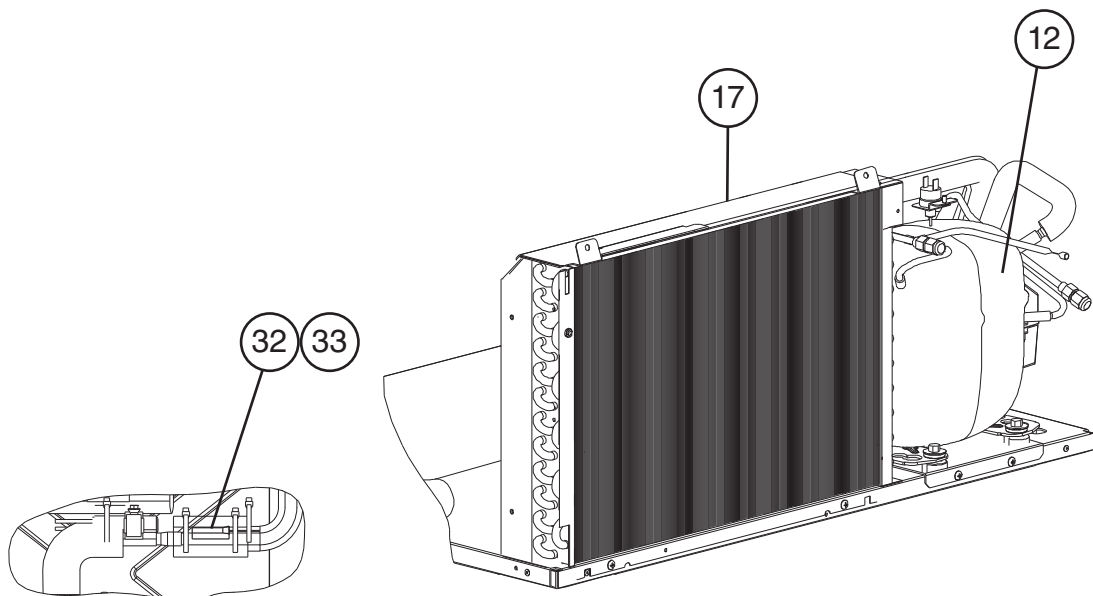
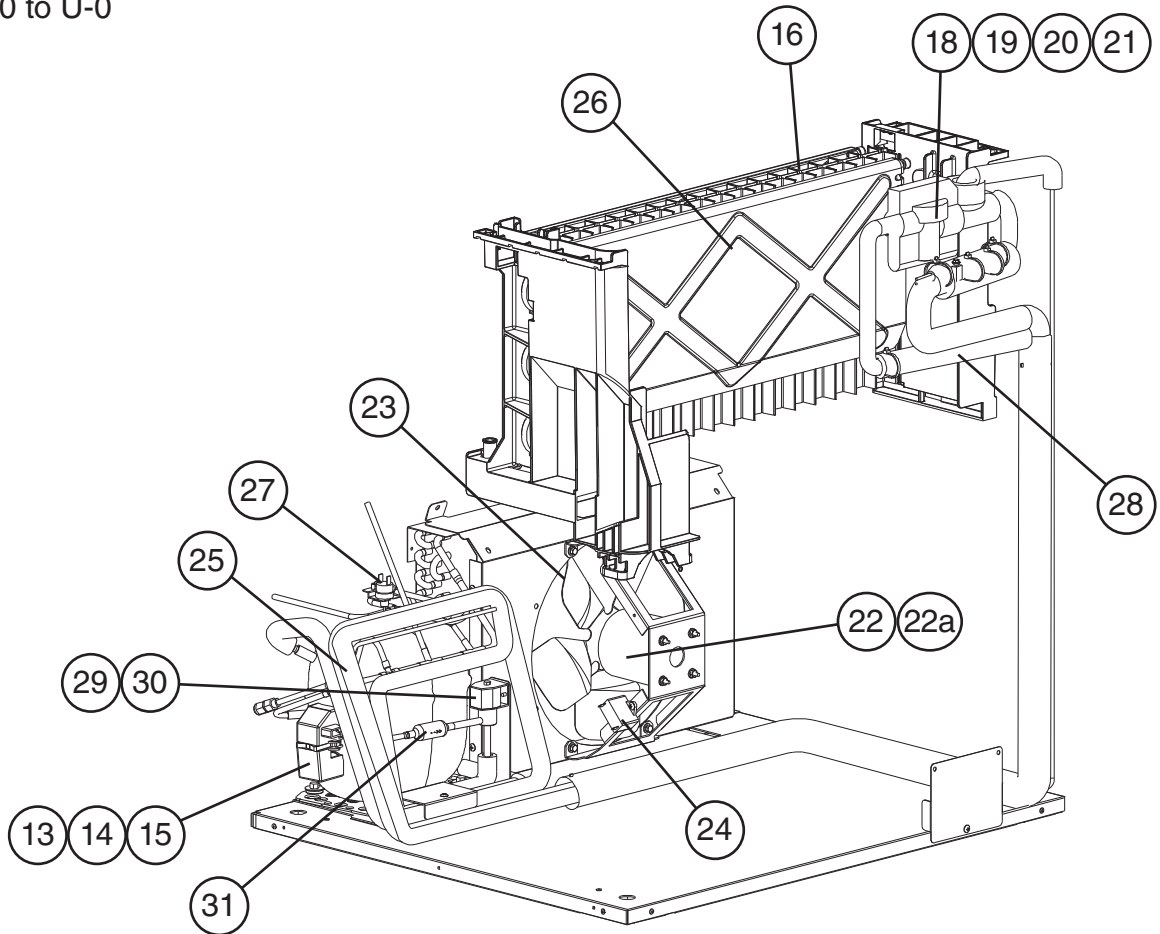


A. Main Assembly & Refrigeration Circuit

KM-255BAH

2/2

R-0 to U-0

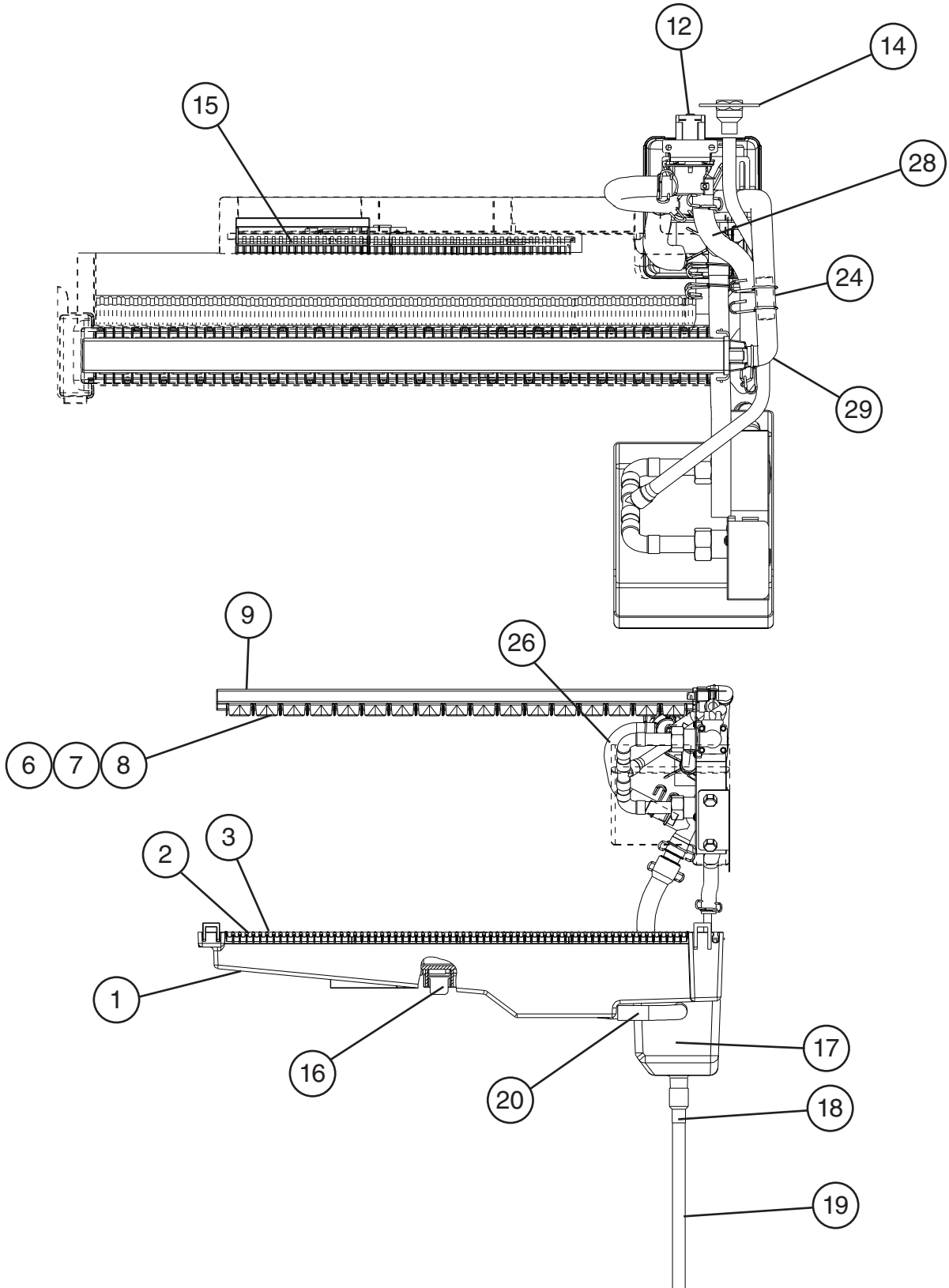


DETAILED THERMISTOR ATTACHMENT

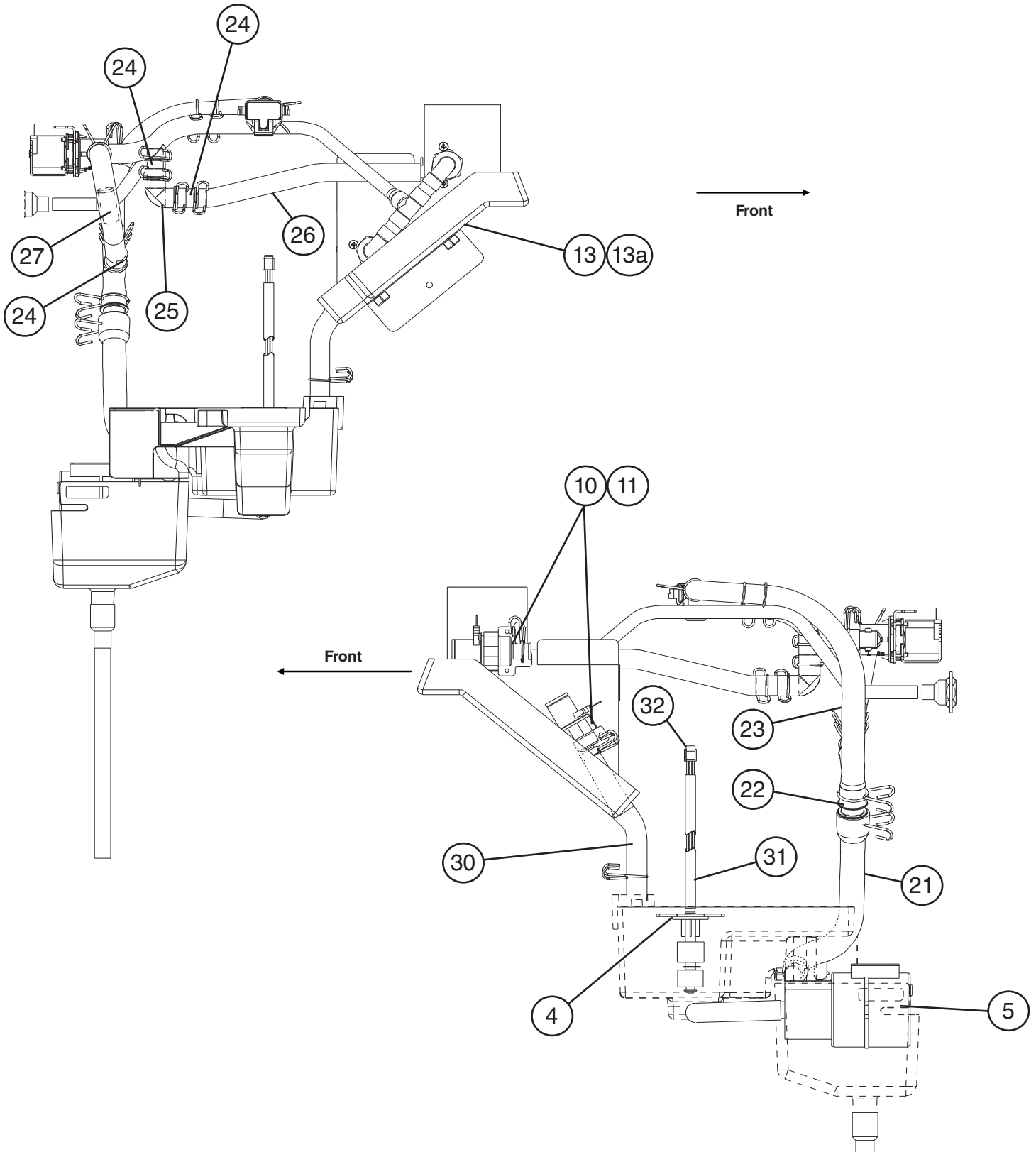
Title: A. Main Assembly & Refrigeration Circuit Model: KM-255BAH

Index No.	Description	Material or Model Number	Part Number	R-0 to U-0	Required Number								
1	Top Panel		1A1026-02	1									
2	Top Insulation Assembly		2A3833G02	1									
3	Front Panel		2A3376-01	1									
4	Louver		1A0547-01	1									
4a	Push Retainer		4A2414-01	3									
5	Air Filter		2A2062G01	1									
6	Front Panel Insulation		4A3706-01	1									
7	Slope		3A4121-02	1									
8	Left Hinge		4A3690-01	1									
9	Right Hinge		4A3690-02	1									
10	Hinge Guide		3A4159-01	2									
11	Power Supply Cord		4A1773-01	1									
Refrigeration Circuit													
12	Compressor		4A3677-01	1									
13	Compressor External Protector		4A3679-01	1									
14	Compressor Protector Holder		4A3680-01	1									
15	Compressor Cover		4A2141-01	1									
16	Evaporator Assembly	HS-0186	1A1033G01	1									
17	Condenser		2A3404-01	1									
18	Thermostatic Expansion Valve		4A1838-02	1									
19	Thermostatic Expansion Valve Cover		4A1168-01	1									
20	Thermostatic Expansion Valve Holder		3A0107-01	1									
21	Clamp		443461-02	1									
22	Fan Motor		4A3158-01	1									
23	Fan Blade		444898-01	1									
23a	Self-Locking Nut		7N2110832	4									
24	Fan Motor Capacitor	5MFD, 250VAC	443192-02	1									
25	Heat Exchanger		2A3388G01	1									
26	Separator		2A3356-02	2									
27	High-Pressure Switch		433441-07	1									
28	Drier		458776-01	1									
29	Hot Gas Valve Body		4A3978-01	1									
30	Valve Coil		4A3277-01	1									
31	Strainer		441569-02	1									
32	Thermistor		429006-03	1									
33	Thermistor Holder		436455-01	1									

B. Water Circuit
KM-255BAH
1/2
R-0 to U-0



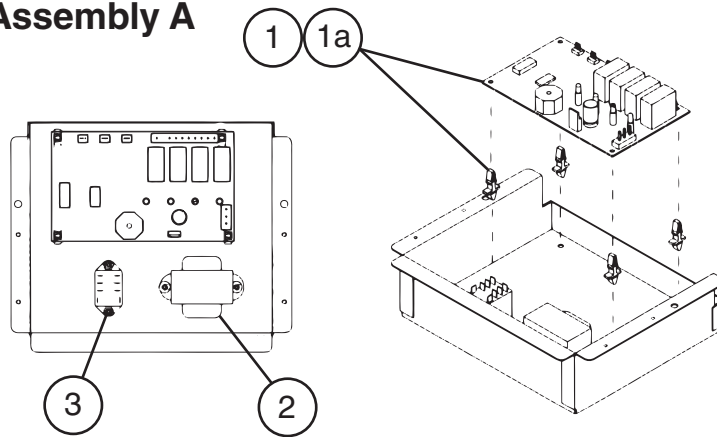
B. Water Circuit
KM-255BAH
2/2
R-0 to U-0



Title: B. Water Circuit Model: KM-255BAH

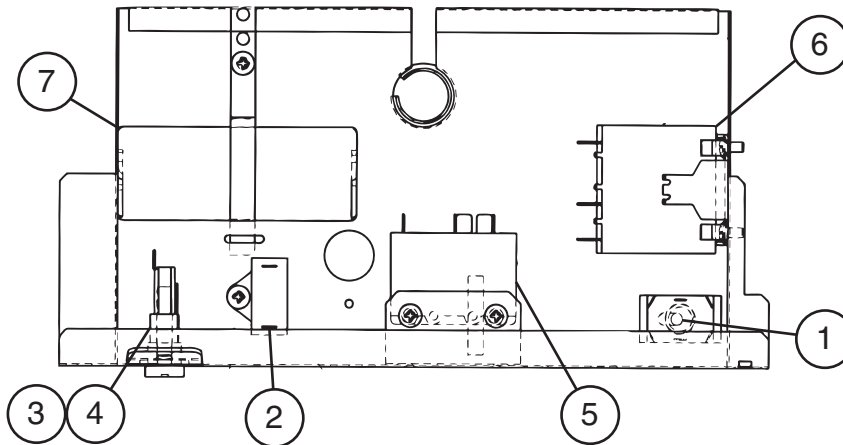
Index No.	Description	Material or Model Number	Part Number	R-0 to U-0	Required Number								
1	Water Tank		1A1023-01	1									
2	Cube Guide A		2A3362-01	2									
3	Cube Guide B		2A3363-01	2									
4	Float Switch		435490-02	1									
5	Pump Motor		463998-01	1									
6	Spray Guide A		208586-01	2									
7	Spray Guide C		208586-03	1									
8	Spray Guide D		208586-04	1									
9	Spray Tube		4A3715G01	1									
10	Inlet Water Valve		3U0152-01	2									
11	Rubber Gasket		413854-03	2									
12	Drain Valve		4A3722-01	1									
13	Water Pan		3A3396-01	1									
13a	Thumbscrew		415949G10	2									
14	Water Supply Pipe		2A3370G01	1									
15	Detector Assembly (bin control)		3A3993G01	1									
16	Switch Housing		4A3755-01	1									
17	Drain Pan		3A3388-01	1									
18	Drain Tube		4H2585-01	1									
19	Frame Pipe		4X8068-01	1									
20	Suction Hose		4A3685-01	1									
21	Discharge Hose A		3A3393-01	1									
22	Joint Pipe		4A3686-02	1									
23	Discharge Hose B		3A3394-01	1									
24	Joint Pipe		439329-01	4									
25	Elbow		433467-01	1									
26	Vinyl Hose	L=250 mm	7716-1519	2									
27	Vinyl Hose	L=190 mm	7725-0912	1									
28	Water Supply Hose		3A3395-01	1									
29	Elbow		4A3687-01	1									
30	Vinyl Hose	L=130 mm	7716-1519	1									
31	Silicone Hose	L=750 mm	7730-0810	1									
32	Connector - JST Connector	Black	4A2518-03	1									
Hose Clamps													
	Hose Clamp	25 mm	427443-03	2									
	Hose Clamp	18 mm	427443-05	8									
	Hose Clamp	20 mm	427443-06	6									

C. Control Box Assembly A
KM-255BAH
 R-0 to U-0



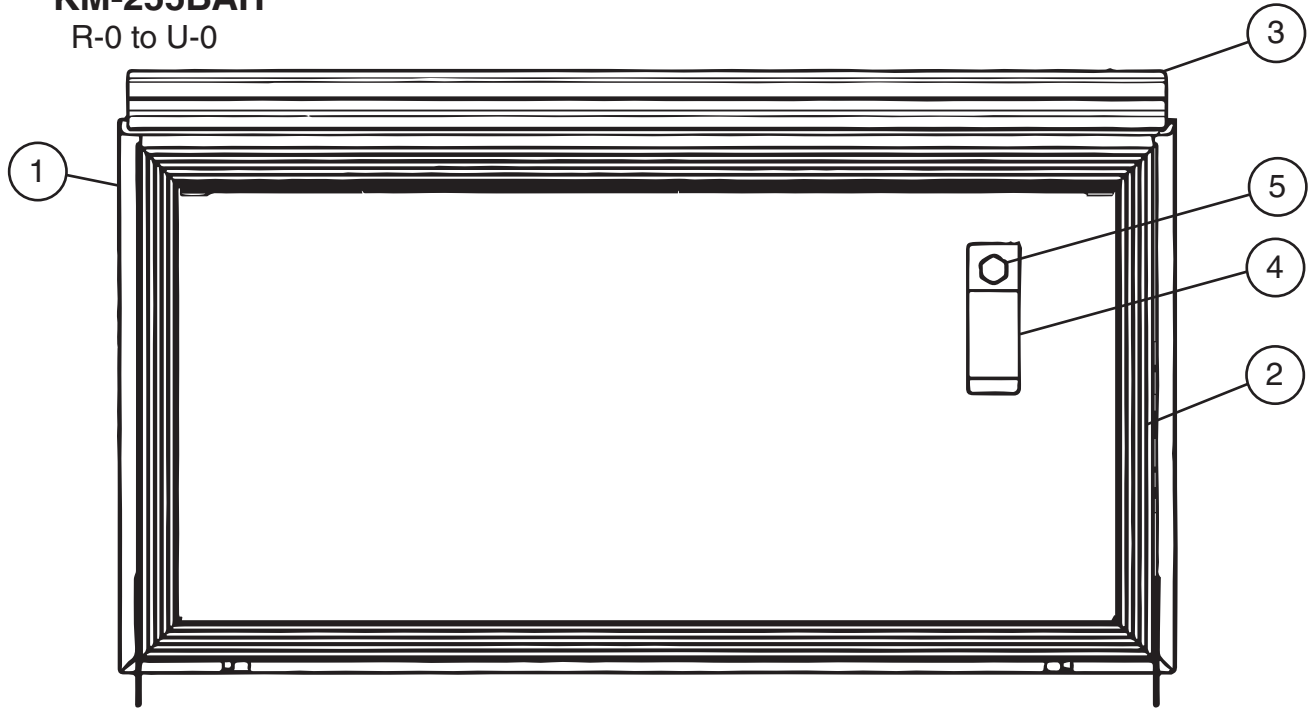
Title: C. Control Box Assembly A Model: KM-255BAH					Required Number								
Index No.	Description	Material or Model Number	Part Number	R-0 to U-0									
1	Control Board		2A3792-01	1									
1a	Control Board Support		4A0336-03	4									
2	Control Transformer		3A0172-01	1									
3	Relay (Fan)	120VAC	406132-07	1									

D. Control Box Assembly B
KM-255BAH
 R-0 to U-0



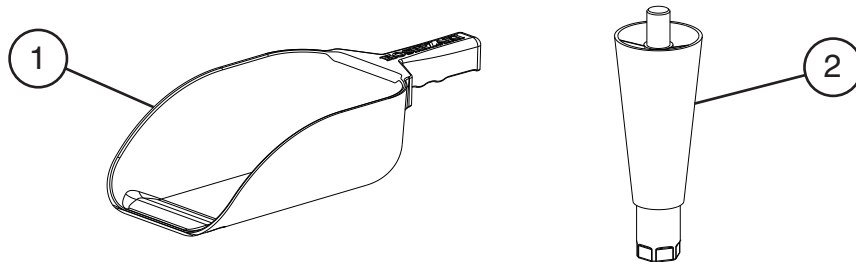
Title: D. Control Box Assembly B Model: KM-255BAH					Required Number								
Index No.	Description	Material or Model Number	Part Number	R-0 to U-0									
1	Power Switch		443119-01	1									
2	Pump Capacitor	1MFD, 200VAC	463047-01	1									
3	Fuse Holder		4A0892-01	1									
4	Fuse	AGC-10A, 250VAC	4A0893-07	2									
5	Start Relay		4A3683-01	1									
6	Compressor Relay		4A3140-01	1									
7	Start Capacitor	410MFD, 125-165VAC	4A3977-01	1									

E. Door Assembly
KM-255BAH
 R-0 to U-0



Title: E. Door Assembly		Model: KM-255BAH		Required Number									
Index No.	Description	Material or Model Number	Part Number	R-0 to U-0									
1	Door		2A3366G02	1									
2	Gasket		3A3391-02	1									
3	Handle		2A3361-02	1									
4	Hook/Slope		4A3700-01	1									
5	Thumbscrew		415949G10	1									

F. Accessories & Labels
KM-255BAH
 R-0 to U-0



Title: F. Accessories & Labels		Model: KM-255BAH		Required Number									
Index No.	Description	Material or Model Number	Part Number	R-0 to U-0									
1	Ice Scoop		443495-01	1									
2	Leg		4A2525-01	4									