



HOSHIZAKI

Parts List

Refrigerator

Model

HR24C-G

hoshizakiamerica.com

Number: HR24C-G
Issued: 02-07-2020
Revised: 12-08-2021

TABLE OF CONTENTS

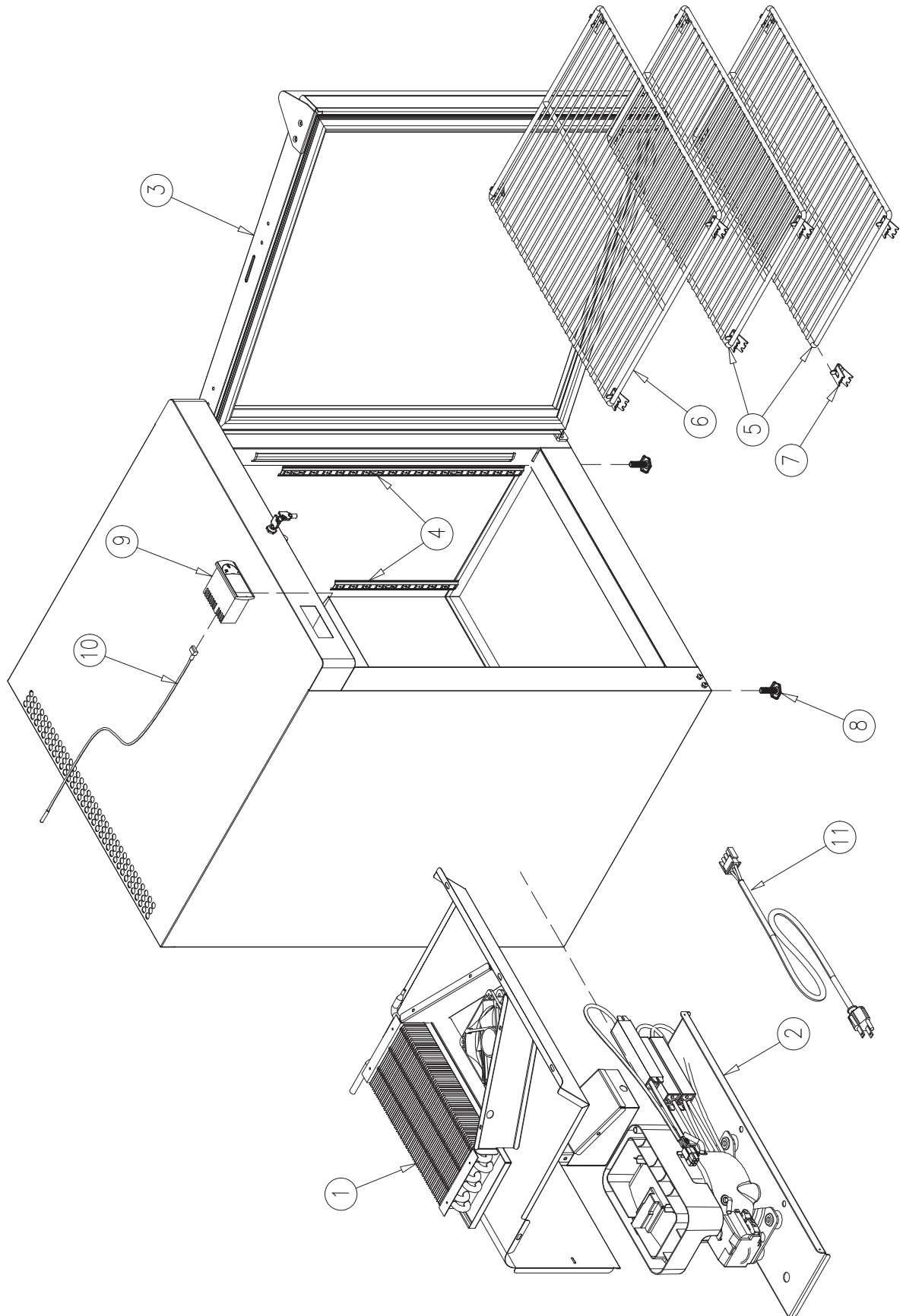
MAIN ASSEMBLY	3
EVAPORATOR ASSEMBLY	5
CONDENSING UNIT ASSEMBLY	7
DOOR ASSEMBLY	9
LIGHTING SYSTEM.....	11

NOTE:

To order spare parts, always include the following information:

- *Model Number* _____
- *Serial Number* _____

MAIN ASSEMBLY

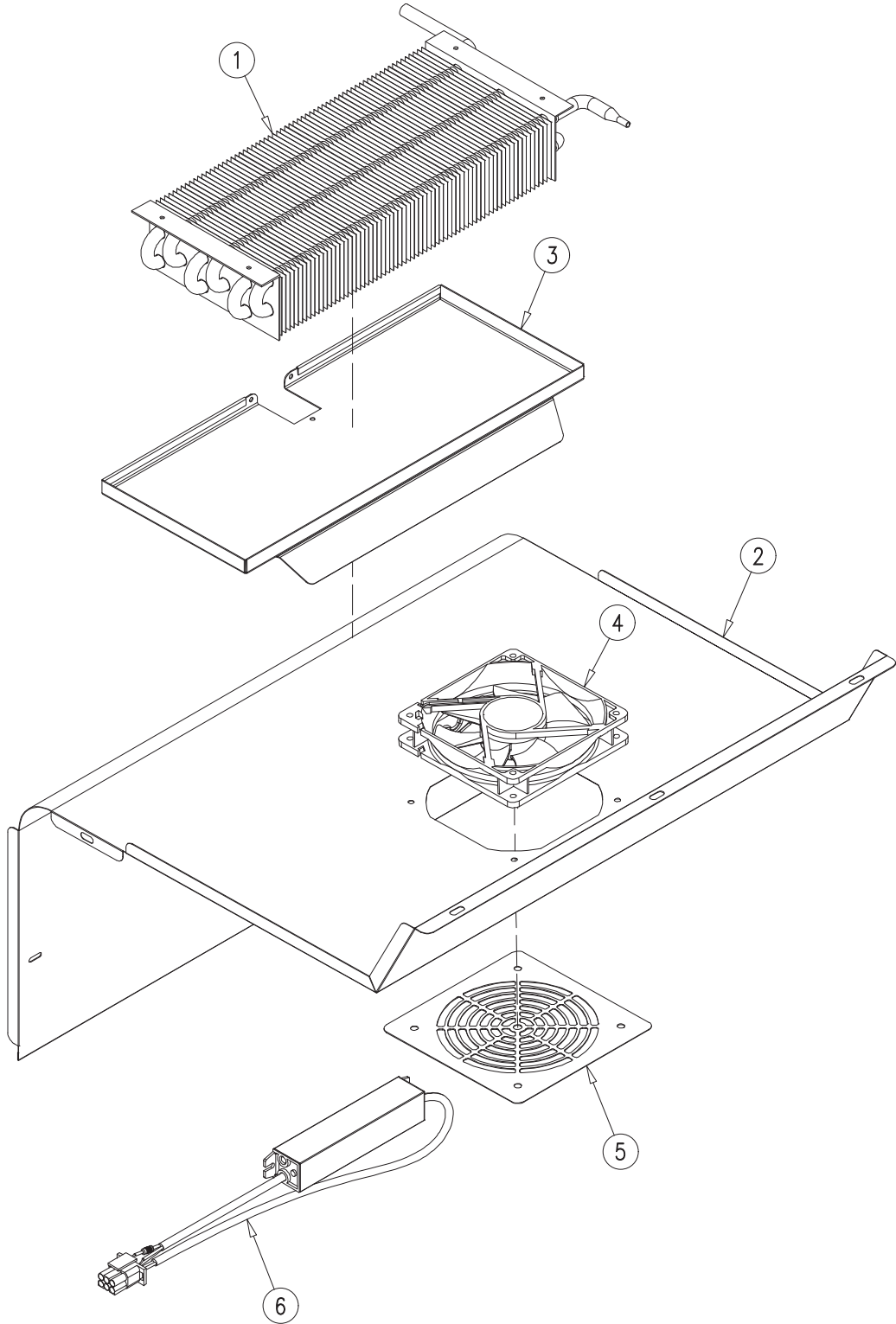


HR24C-G

MAIN ASSEMBLY

<i>Item No.</i>	<i>Description</i>	<i>Part No.</i>	<i>Quantity per cooler</i>
1	EVAPORATOR ASSEMBLY	OT-EV-0207	1
2	CONDENSING UNIT ASSEMBLY	OT-UN-0390	1
3	DOOR ASSEMBLY	OT-PT-0578	1
4	PILASTER 48"	PI-5	2
5	FLAT SHELF	SH-0555-HD-GR	2
6	FLAT SHELF	SH-0556-HD-GR	1
7	SHELF CLIPS	CL-51-SS-E	12
8	LEGS	LG-26-E	4
9	CONTROL MODULE	CT-185-CA-072	1
10	CABINET THERMISTOR	CT-185-1-CA	1
11	POWER CORD (9 ft)	OT-EL-1265-9-4784	1

EVAPORATOR ASSEMBLY



EVAPORATOR ASSEMBLY

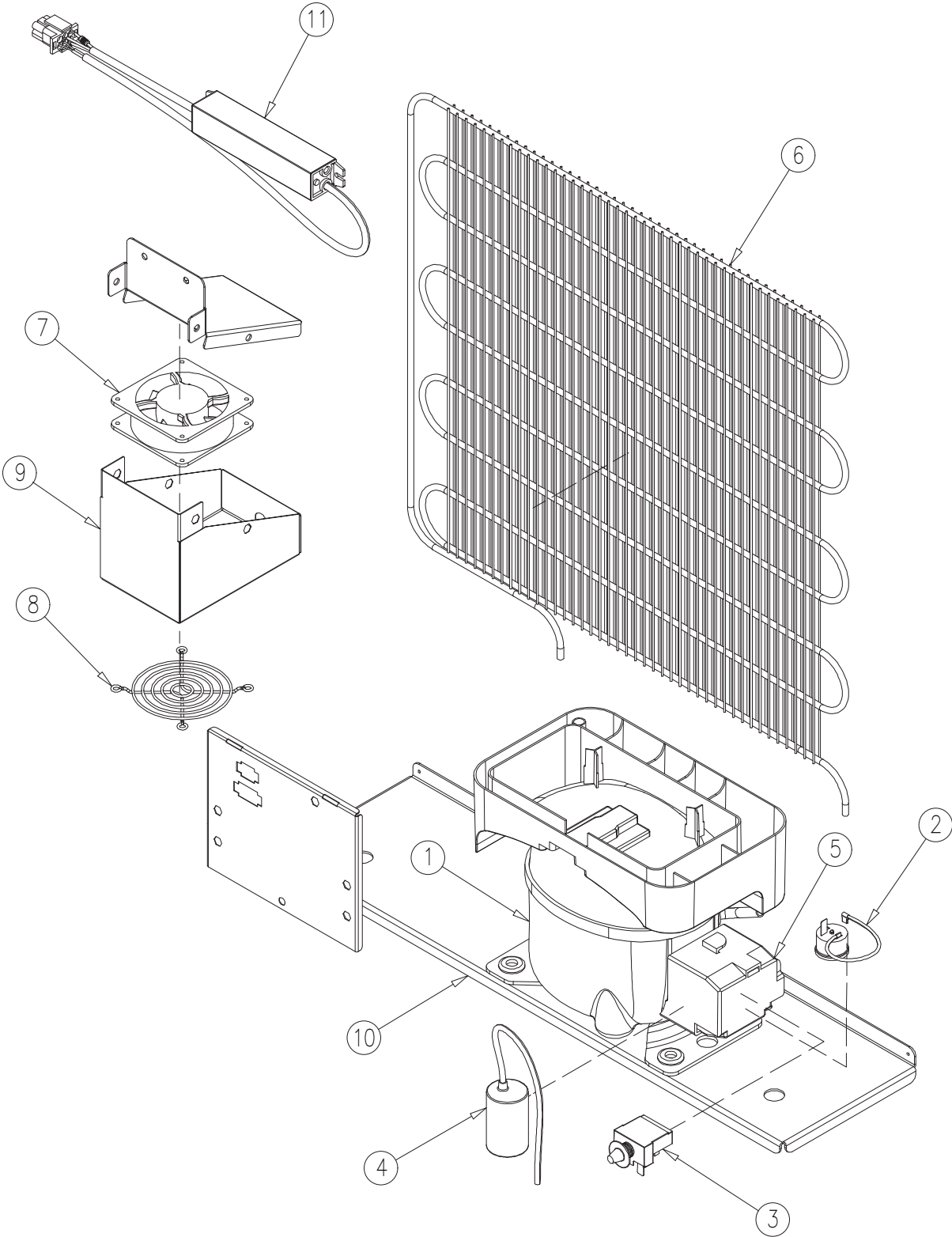
<i>Item No.</i>	<i>Description</i>	<i>Part No.</i>	<i>Quantity per cooler</i>
1	EVAPORATOR	CO-250-I-EC	1
2	BAFFLE	OT-22916	1
3	EVAPORATOR PAN KIT	OT-21901*	1
4	EVAPORATOR FAN MOTOR	FA-93	1
5	FAN GUARD	OT-24335**	1
6	FAN POWER SUPPLY	OT-EL-151-T	1

* THE PART NUMBER OT-21901 (K) INCLUDES:

EVAPORATOR PAN OT-21901
EVAPORATOR PAN COMPLEMENT OT-21912

**Parts Change With Serial Number Break						
ITEM No.	Description	Inter-changeable	Previous Component	Hoshizaki Last Serial Number and Earlier	Current Component	Hoshizaki First Serial Number and Later
5	FAN GUARD	YES	FA-106	L-00060(J)	OT-24335	PENDING

CONDENSING UNIT ASSEMBLY



CONDENSING UNIT ASSEMBLY

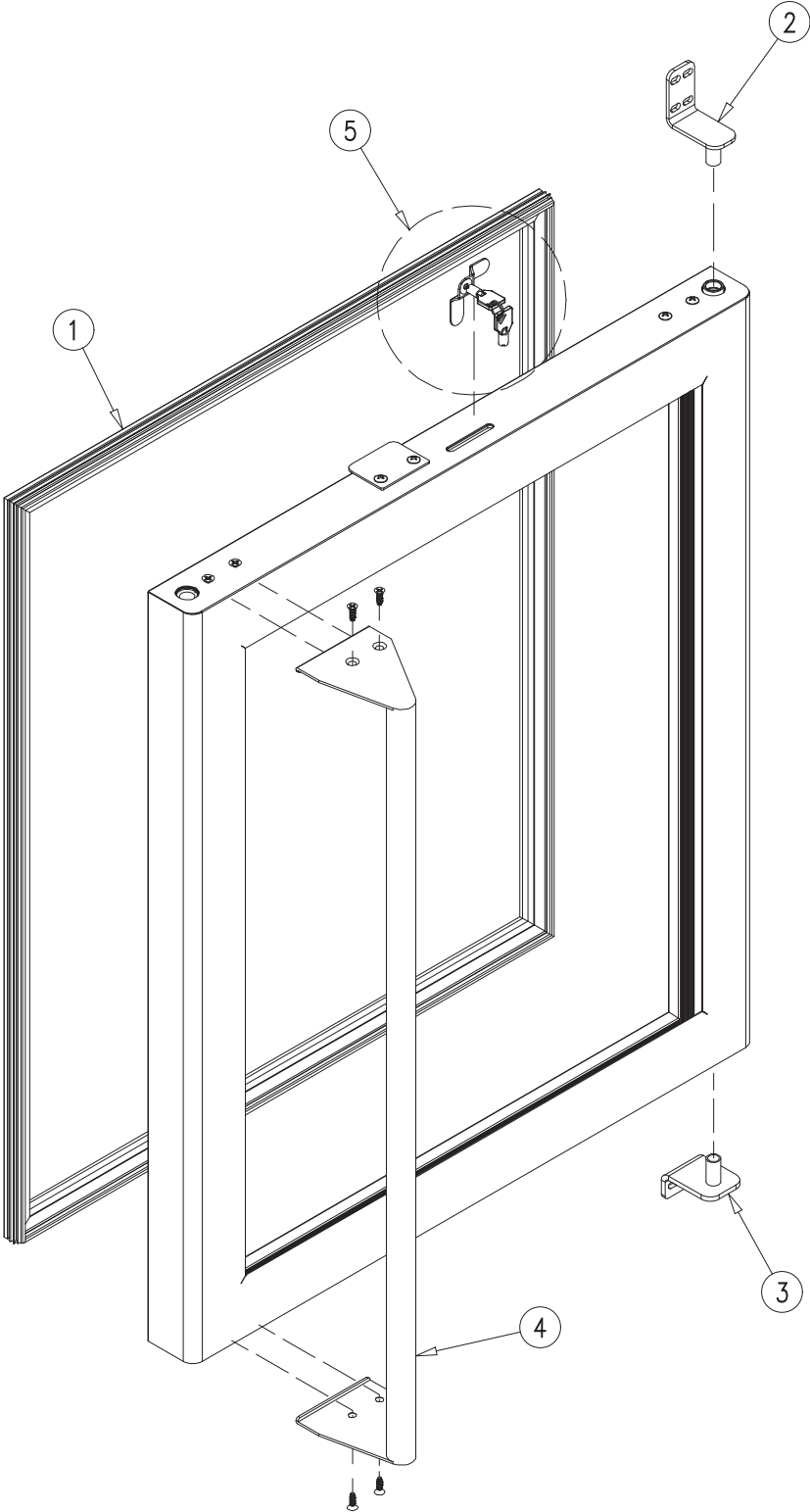
<i>Item No.</i>	<i>Description</i>	<i>Part No.</i>	<i>Quantity per cooler</i>
1	COMPRESSOR (115V/60HZ R600a)	HYB50MGU72A	1
2	EXTERNAL PROTECTOR (DRB22P61A1)	EL-2155-R	1
3	PTC RELAY (QP2-4R7 12A 180V)	EL-2154-R	1
4	RUN CAPACITOR (6μF 250V)	CAP-6-250	1
5	ELECTRICAL BOX	EL-2156-R	1
6	CONDENSER	CO-468	1
7	CONDENSER FAN MOTOR	FA-88**	1
8	FAN GUARD	FA-87	1
9	CONDENSER FAN MOTOR BRACKET KIT	OT-21924*	1
10	CONDENSING UNIT BASE	OT-21926	1
11	FAN POWER SUPPLY	OT-EL-151-T	1

* THE PART NUMBER OT-21924 (K) INCLUDES:

CONDENSER FAN MOTOR BRACKET OT-21924
CONDENSER FAN MOTOR BRACKET COMPLEMENT OT-21925

**Parts Change With Serial Number Break						
ITEM No.	Description	Inter-changeable	Previous Component	Hoshizaki Last Serial Number and Earlier	Current Component	Hoshizaki First Serial Number and Later
7	CONDENSER FAN MOTOR	YES	FA-95	K-00109(J)	FA-88	L-00001(J)

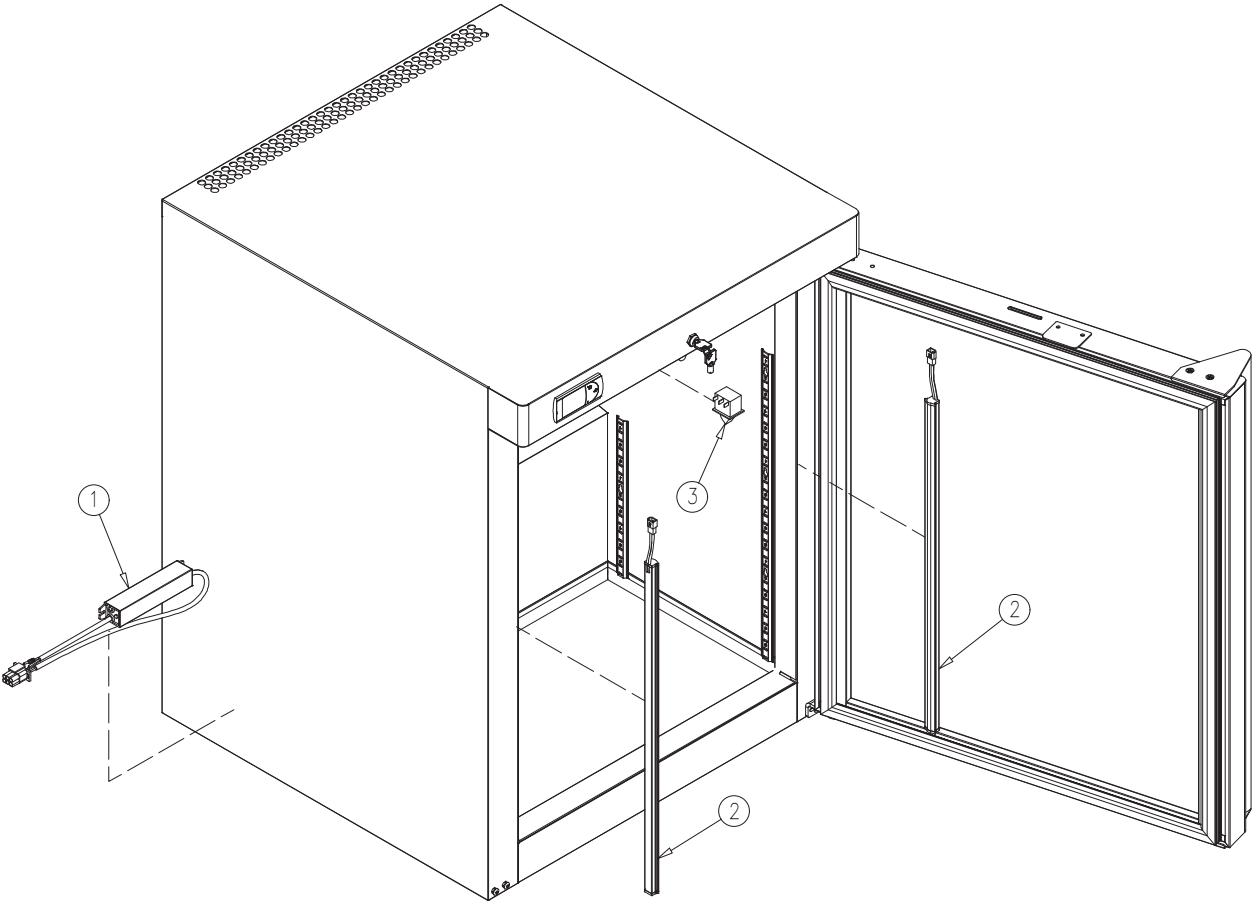
DOOR ASSEMBLY



DOOR ASSEMBLY

<i>Item No.</i>	<i>Description</i>	<i>Part No.</i>	<i>Quantity per cooler</i>
1	MAGNETIC GASKET	OT-GA-900-PT-0578	1
2	UPPER HINGE ASSEMBLY	HA-614-SS-K	1
3	LOWER HINGE ASSEMBLY	HA-615-SS-K	1
4	DOOR HANDLE	HA-636-SS-K	1
5	KIT LOCKING SYSTEM	HA-606-K	1

LIGHTING SYSTEM



LIGHTING SYSTEM

<i>Item No.</i>	<i>Description</i>	<i>Part No.</i>	<i>Quantity per cooler</i>
1	LED DRIVER	OT-EL-151-T	1
2	LED LAMP STRIP 19 1/2"	OT-EL-146-AZ	2
3	LIGHT & MOTOR FAN SWITCH	EL-112-EX	1