



# HOSHIZAKI

---

## Instruction Manual

### Refrigerator

### Model HR15A

---

[hoshizakiamerica.com](http://hoshizakiamerica.com)

Number: MAN-321-R  
ISSUED: 07-21-2018  
REVISED: 11-04-2019

## **WARNING**

Only qualified service technicians should install and service the appliance. To obtain the name and phone number of your local Hoshizaki Certified Service Representative, visit [www.hoshizaki.com](http://www.hoshizaki.com). No installation or service should be undertaken until the technician has thoroughly read this Instruction Manual. Likewise, the owner/manager should not proceed to operate the appliance until the installer has instructed them on its proper operation. Failure to install, operate, and maintain the appliance in accordance with this manual may adversely affect safety, performance, component life, and warranty coverage. Proper installation is the responsibility of the installer. Product failure or property damage due to improper installation is not covered under warranty.

Hoshizaki provides this manual primarily to assist qualified service technicians in the installation, maintenance, and service of the appliance.

Should the reader have any questions or concerns which have not been satisfactorily addressed, please call, send an e-mail message, or write to the Hoshizaki Technical Support Department for assistance.

Phone: 1-800-233-1940; (770) 487-2331

Fax: 1-800-843-1056; (770) 487-3360

E-mail: [techsupport@hoshizaki.com](mailto:techsupport@hoshizaki.com)

### **HOSHIZAKI AMERICA, INC.**

618 Highway 74 South

Peachtree City, GA 30269

Attn: Hoshizaki Technical Support Department

Web Site: [www.hoshizaki.com](http://www.hoshizaki.com)

NOTE: To expedite assistance, all correspondence/communication MUST include the following information:

- Model Number \_\_\_\_\_
- Serial Number \_\_\_\_\_
- Complete and detailed explanation of the problem.

# **IMPORTANT**

This manual should be read carefully before the appliance is installed and operated. Read the warnings and guidelines contained in this manual carefully as they provide essential information for the continued safe use and maintenance of the appliance. Retain this manual for any further reference that may be necessary.

## **Contents**



INTRODUCTION .....	4
Important Safety Information .....	4
GENERAL SAFETY .....	7
KNOW YOUR EQUIPMENT .....	8
CHECK FOR SHIPPING DAMAGE .....	9
HANDLING THE CABINET .....	10
LOCATION .....	10
REMOVE THE CRATE AND SKID .....	11
LEVEL THE CABINET .....	11
ELECTRICAL INSTALLATION .....	12
INSTALLING THE SHELVES .....	13
START UP THE COOLER .....	13
DOOR REVERSAL .....	14
CONTROLS AND ADJUSTMENTS .....	20
STEPS TO CHANGE SETPOINT .....	20
ALARM SAFETIES .....	20
ALARM INDICATORS .....	21
FINAL CHECKLIST .....	22
CLEANING AND MAINTENANCE INSTRUCTIONS .....	23
IMPORTANT NOTES ABOUT USAGE .....	24
PREPARING THE APPLIANCE FOR PERIODS OF NON-USE .....	26
DISPOSAL .....	27

# INTRODUCTION

This manual contains instructions for installation, operation and general maintenance of your unit.

## Important Safety Information

Throughout this manual, notices appear to bring your attention to situations which could result in death, serious injury, damage to the appliance, or damage to property.

 <b>DANGER</b>	Indicates a hazardous situation that, if not avoided, will result in death or serious injury.
 <b>WARNING</b>	Indicates a hazardous situation that, if not avoided, could result in death or serious injury.
<b>NOTICE</b>	Indicates a situation that, if not avoided, could result in damage to the appliance or property.
<b>IMPORTANT</b>	Indicates important information about the use and care of the appliance.

 <b>DANGER</b>	<b>Risque De Feu Ou D'Explosion</b>
<b>Le Frigorigène Est Inflammable</b>	<b>Le Frigorigène Est Inflammable</b>
<b><u>Risk of Fire or Explosion</u> <u>Flammable Refrigerant Used</u></b>	<b><u>Risque De Feu Ou D'Explosion</u> <u>Le Frigorigène Est Inflammable</u></b>
<ul style="list-style-type: none"> <li>• Follow handling instructions carefully in compliance with U.S. government regulations.</li> <li>• Do not use mechanical devices to defrost.</li> <li>• Do not puncture refrigerant tubing. Risk of fire or explosion due to puncture of refrigerant tubing; follow handling instructions carefully.</li> <li>• Component parts shall be replaced with like components.</li> <li>• Servicing shall be done by factory authorized service personnel to minimize the risk of possible ignition due to incorrect parts or improper service.</li> <li>• Consult instruction manual / service manual before attempting to install or service this product. All safety precautions must be followed.</li> <li>• Dispose of properly in accordance with federal or local regulations.</li> <li>• Do not place any potential ignition sources in or near the appliance.</li> </ul>	<ul style="list-style-type: none"> <li>• Suivre attentivement les instructions de manipulation conformément à la réglementation gouvernementale.</li> <li>• Ne pas utiliser d'appareils mécaniques pour dégivrer le réfrigérateur.</li> <li>• Ne pas perforer la tubulure contenant le frigorigène. Risque de feu ou d'explosion si la tubulure contenant le frigorigène est perforée; suivre les instructions de manutention avec soin.</li> <li>• Les pièces des composants doivent être remplacées par des pièces et accessoires équivalents.</li> <li>• L'entretien doit être effectué par le personnel de service autorisé par le fabricant afin de minimiser les risques d'inflammation attribuables à l'installation d'une pièce inadéquate ou à la mauvaise exécution du service.</li> <li>• Consulter le manuel du propriétaire/ guide de réparation avant de tenter une réparation. Toutes les mesures de sécurité doivent être respectées.</li> <li>• Éliminer conformément aux règlements fédéraux ou locaux.</li> <li>• Ne placez aucune source d'inflammation potentielle dans ou près de l'appareil.</li> </ul>

## **WARNING**

This appliance should be destined only to the use for which it has been expressly conceived. Any other use should be considered improper and therefore dangerous. The manufacturer cannot be held responsible for injury or damage resulting from improper, incorrect, and unreasonable use. Failure to install, operate, and maintain the appliance in accordance with this manual will adversely affect safety, performance, component life, and warranty coverage.

**To reduce the risk of death, electric shock, serious injury, or fire, follow basic precautions including the following:**

- Only qualified service technicians should install and service this appliance.
- Wear appropriate personal protective equipment (PPE) when servicing the appliance.
- This appliance must be installed in accordance with applicable national, state, and local codes and regulations.
- To reduce the risk of electric shock, do not touch the plug with damp hands.
- This appliance requires an independent power supply of proper capacity. See the nameplate for electrical specifications. Failure to use an independent power supply of proper capacity can result in a tripped breaker, blown fuse, damage to existing wiring, or component failure. This could lead to heat generation or fire.
- **THIS APPLIANCE MUST BE GROUNDED:** This appliance is equipped with a NEMA 5-15 three-prong grounding plug (⚡) to reduce the risk of potential shock hazards. It must be plugged into a properly grounded, independent 3-prong wall outlet. If the outlet is a 2-prong outlet, it is your personal responsibility to have a qualified electrician replace it with a properly grounded, independent 3-prong wall outlet. Do not remove the ground prong from the plug and do not use an adapter plug. Failure to follow these instructions may result in death, electric shock, or fire.
- Do not use an extension cord.
- Do not use an appliance with a damaged power cord. The power cord should not be altered, jerked, bundled, weighed down, pinched, or tangled. Such actions could result in electric shock or fire. To unplug the appliance, be sure to pull the plug, not the cord, and do not jerk the cord.
- The GREEN ground wire in the factory-installed power cord is connected to the appliance. If it becomes necessary to remove or replace the power cord, be sure to connect the power cord's ground wire.
- Do not splash, pour, or spray water directly onto or into the appliance. This might cause short circuit, electric shock, corrosion, or failure.
- Do not make any alterations to the appliance. Alterations could result in electric shock, injury, fire, or damage to the appliance.

## **WARNING, continued**

- This appliance is not intended for use by persons (including children) with reduced physical, sensory, or mental capabilities, or lack of experience and knowledge, unless they have been given supervision or instruction concerning use of the appliance by a person responsible for their safety.
- Children should be properly supervised around this appliance.
- Do not climb, stand, or hang on the appliance or door or allow children or animals to do so. Do not climb into the appliance or allow children or animals to do so. Death or serious injury could occur or the appliance could be damaged.
- Be careful not to pinch fingers when opening and closing the doors. Be careful when opening and closing the doors when children are in the area.
- Open and close the doors with care. Doors opened too quickly or forcefully may cause injury or damage to the appliance or surrounding equipment.
- Do not use combustible spray or place volatile or flammable substances in or near the appliance. They might catch fire.
- Keep the area around the appliance clean. Dirt, dust, or insects in the appliance could cause harm to individuals or damage to the equipment.
- Do not throw anything onto the shelves or load any single shelf with more than 36 lb. (16.5 kg) of product. They might fall off and cause injury.
- This appliance is designed only for storage of package food. Employ sanitary methods. Use for any other purposes (for example, storage of chemicals or medical supplies such as vaccine and serum) could cause deterioration of stored items.
- Do not block the cabinet air inlet or outlet, otherwise cooling performance may be reduced.
- Do not tightly pack the cabinet. Allow some space between items to ensure good air flow. Also allow space between items and interior surfaces.
- Do not place any product on the floor of the cabinet. All product must be placed on properly installed shelves.
- Do not put warm or hot foods in the cabinet. Let them cool first, or they will raise the cabinet temperature and could deteriorate other foods in the cabinet or overload the appliance.
- All foods should be wrapped in plastic film or stored in sealed containers. Otherwise foods may dry up, pass their smells onto other foods, cause frost to develop, result in poor appliance performance, or increase the likelihood of cross-contamination. Certain dressings and food ingredients, if not stored in sealed containers, may accelerate corrosion of the evaporator, resulting in failure.
- Do not store items near the air outlet. They might freeze up and crack or break causing a risk of injury or contamination of other food.
- This unit must be installed and located appropriately, following the installation instructions before its use.

## **WARNING, continued**

- Do not allow children to climb, step or hang onto the shelves inside the cooler. That could damage the unit and cause serious injuries to them.
- Do not touch the cold surfaces of the cooler with your hands wet or moist. The skin can stick to these cold surfaces.
- Do not store gasoline or other flammable liquids or gases, near this or other electrical equipment.
- Keep your fingers away from the spaces between doors and cabinet are small, so be careful when closing doors when children are around.
- Unplug the cooler before cleaning or performing any repair.

## **NOTICE**

- Protect the floor when moving the appliance to prevent damage to the floor.
- Keep ventilation openings, in the appliance enclosure or in the built in structure, clear of obstruction. Do not place anything on top of the appliance. Blockage of airflow could negatively affect performance and damage the appliance.
- To prevent deformation or cracks, do not spray insecticide onto the plastic parts or let them come into contact with oil.
- To avoid damage to the gasket, use only the door handle when opening and closing.

---

## **GENERAL SAFETY**

- Avoid prolonged exposure of the appliance to direct sunlight.
- Only genuine spare parts should be used to service this refrigerator.



---

# KNOW YOUR EQUIPMENT

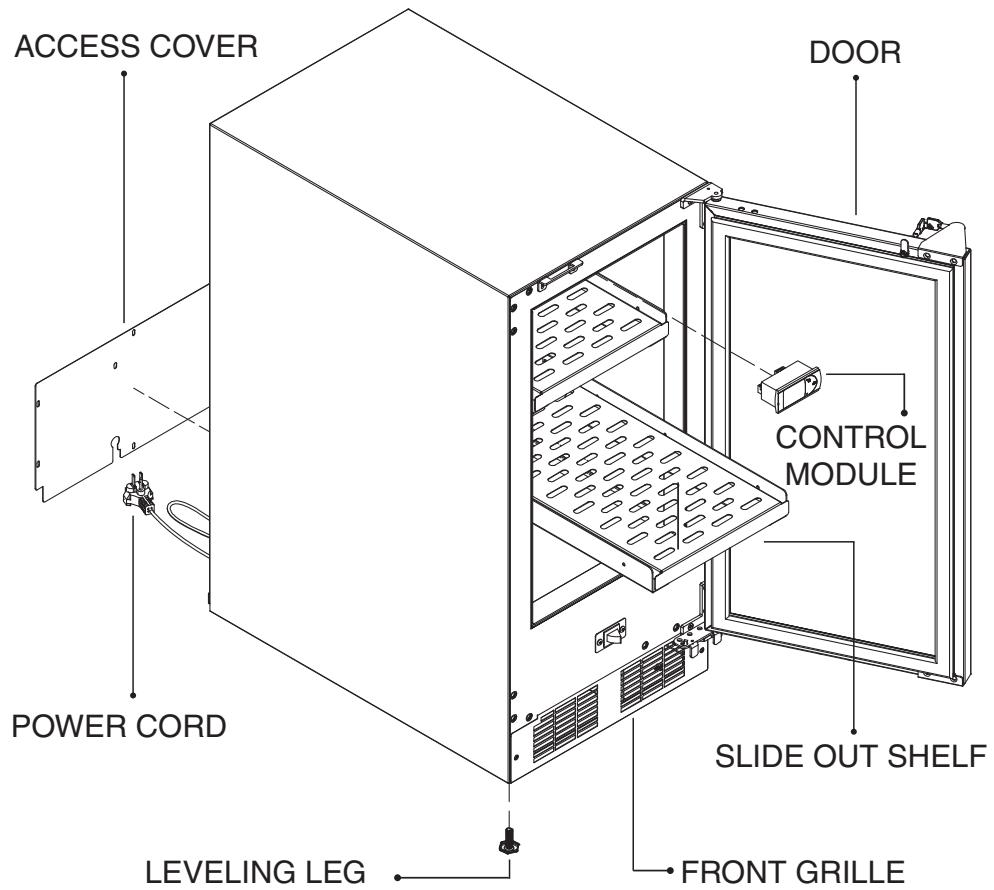


FIG. 1



---

## CHECK FOR SHIPPING DAMAGE

Prior to leaving the factory, each cabinet is thoroughly inspected and performance tested to assure proper operating temperatures.

**Check the crate thoroughly for signs of shipping damage.** If external damage exists, internal damage is also probable. Uncrating should be done while the carrier's representative is present. Otherwise, the equipment should be uncrated as soon as possible, preferably within five (5) days.

The manufacturer is not responsible for in-transit damage and the consignee must file any required damage claims directly with the carrier.

If the damage is severe and obvious, write a brief description of the evidence on the carrier's delivery receipt, and above the carrier representative's signature. Call the distributor or dealer immediately, indicating that the cabinet was damaged.

**DANGER:** Risk of Fire or Explosion due to Flammable Refrigerant Used. Follow Handling Instructions Carefully in Compliance with U.S. Government Regulations.

If no obvious crate damage is present, within two hours of receiving the cabinet from the carrier, remove the packaging to inspect for concealed damage.

1. If concealed damage is found, call the carrier immediately, **save all crating materials**, and file the necessary freight claim with the carrier.

**Check for accessories:** Check that the shelves are inside the refrigerator, including the four clips or supports for each shelf.

### Installation instructions

 <b>WARNING</b>
<ul style="list-style-type: none"><li>• This appliance must be installed in accordance with all applicable national, state, and local regulations.</li><li>• Appliance is heavy. Use care when lifting or positioning. Work in pairs when needed to prevent injury or damage.</li><li>• Do not tilt the appliance more than 45°.</li></ul>

---

## HANDLING THE CABINET

1. Always move the unit in an upright position. Do not set it on its side or upside down as you may damage the cabinet and cause the oil to migrate from the compressor.
2. If lifting the unit, hold it from its base. It is recommended to use a dolly.
3. Do not let the unit fall abruptly.
4. Appliance is heavy. Use care when lifting or positioning. Work in pairs when needed to prevent injury or damage.
5. Do not lift using the doors.

---

## LOCATION

### Select location

This appliance is approved for indoor or outdoor use. The proper location will ensure peak performance of your appliance. We recommend a location where the unit will be out of direct sunlight and away from heat sources. To ensure your product performs to specifications, the recommended installation location temperature range is from 55°F to 115°F (13°C to 46°C).

### Cabinet clearance

Ventilation is required from the bottom front of the appliance. Keep this area open and clear of any obstructions. Adjacent cabinets and counter top can be installed around the appliance as long as the front grille remains unobstructed.

### Front Grille

Do not obstruct the front grille. The openings within the front grille allow air to flow through the condenser heat exchanger. Restrictions to this air flow will result in increased energy usage and loss of cooling capacity. For this reason it is important this area not be obstructed and the grille openings kept clean. It is not recommend the use of a custom made grille as air flow may be restricted.

---

## REMOVE THE CRATE AND SKID

---

Cut the plastic straps.

---

## LEVEL THE CABINET

The base of the refrigerator has heavy duty leveling legs underneath so the cabinet may be leveled appropriately and to allow room to clean beneath the cabinet.

Level the cabinet front to back and side to side with a level by using the adjustable portion of the leveling legs.

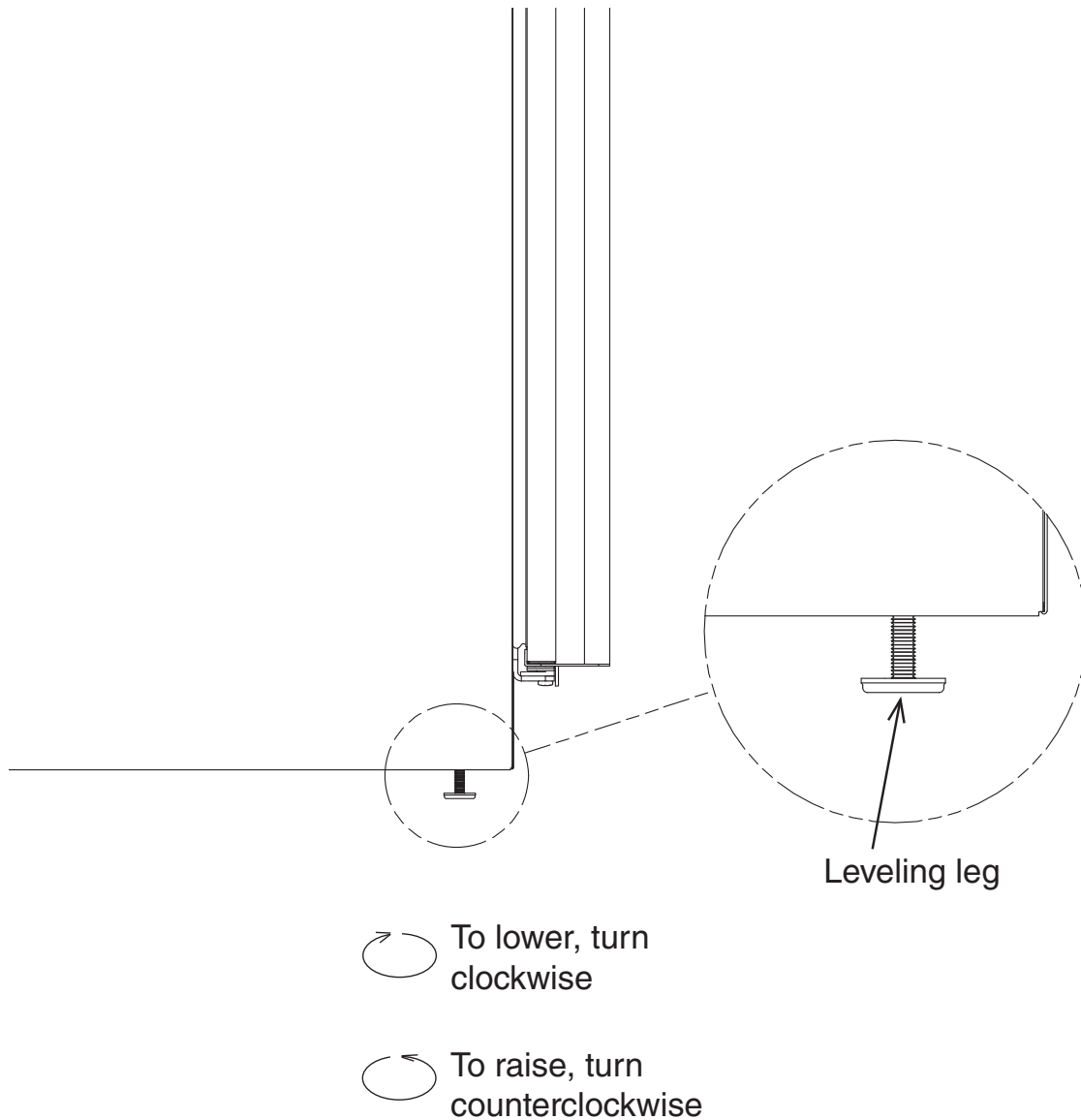



FIG. 2

---

## ELECTRICAL INSTALLATION

### Electrical Connection

#### **WARNING**

- Electrical connection must meet national, state, and local electrical code requirements. Failure to meet these code requirements could result in death, electric shock, serious injury, fire, or severe damage to equipment.
  - This appliance requires an independent power supply of proper capacity. See the nameplate for electrical specifications. Failure to use an independent power supply of proper capacity can result in a tripped breaker, blown fuse, damage to existing wiring, or component failure. This could lead to heat generation or fire.
  - **THIS APPLIANCE MUST BE GROUNDED:** This appliance is equipped with a NEMA 5-15 three-prong grounding plug  to reduce the risk of potential shock hazards. It must be plugged into a properly grounded, independent 3-prong wall outlet. If the outlet is a 2-prong outlet, it is your personal responsibility to have a qualified electrician replace it with a properly grounded, independent 3-prong wall outlet. Do not remove the ground prong from the plug and do not use an adapter plug. Failure to follow these instructions may result in death, electric shock, or fire.
  - To reduce the risk of electric shock, do not touch the plug with damp hands.
  - Do not use an extension cord.
  - Do not use an appliance with a damaged power cord. The power cord should not be altered, jerked, bundled, weighed down, pinched, or tangled. Such actions could result in electric shock or fire. To unplug the appliance, be sure to pull the plug, not the cord, and do not jerk the cord.
  - The GREEN ground wire in the factory-installed power cord is connected to the appliance. If it becomes necessary to remove or replace the power cord, be sure to connect the power cord's ground wire.
- 
- Usually an electrical permit and services of a licensed electrician are required.
  - The maximum allowable voltage variation is  $\pm 10$  percent of the nameplate rating.

#### **ATTENTION**

After an interruption of the electrical power supply, the compressor will take approximately 3 minutes to start working.

---

## INSTALLING THE SHELVES

### Loading tips and suggestions

Your appliance is equipped with a cantilever shelf system, composed of two perforated stainless steel slide out shelves, which provides maximum adjustability.

### WARNING

Never try to move a loaded shelf, remove everything from the shelf before moving. Use both hands when moving the shelf.

#### **To add or remove a shelf**

Remove stored product from the shelf. Do not try to remove a loaded shelf from the appliance. Grasp the shelf front with both hands, rotate the front upward and lift out. To install a shelf insert the shelf in the appliance and insert the top hooks into the shelf support slots and drop the shelf down so the hooks drop over the bottom of the slots.

---

## START UP THE COOLER

1. Plug in the electrical cord of the unit to a wall outlet, following the recommendations about electrical installation in this manual.
2. Allow the appliance to cool down to setpoint before loading with product.
3. When placing products in the cooler, you should leave small gaps between one and the other to assure free circulation of air inside the cabinet.
4. Do not leave the door open for extended periods of time, to avoid increased temperature of the products.

The temperature of a cooler should be between 34°F to 40°F.

---

## DOOR REVERSAL

If you would like to reverse the door swing, follow the steps below. Otherwise, skip to section “Controls and adjustments”.

### TOOLS



PHILLIPS # 2 SCREWDRIVER



1/8" ALLEN WRENCH

### INSTRUCTIONS

Step 1. Remove the SC-48-SS screws and the lock bracket. See figure 3.

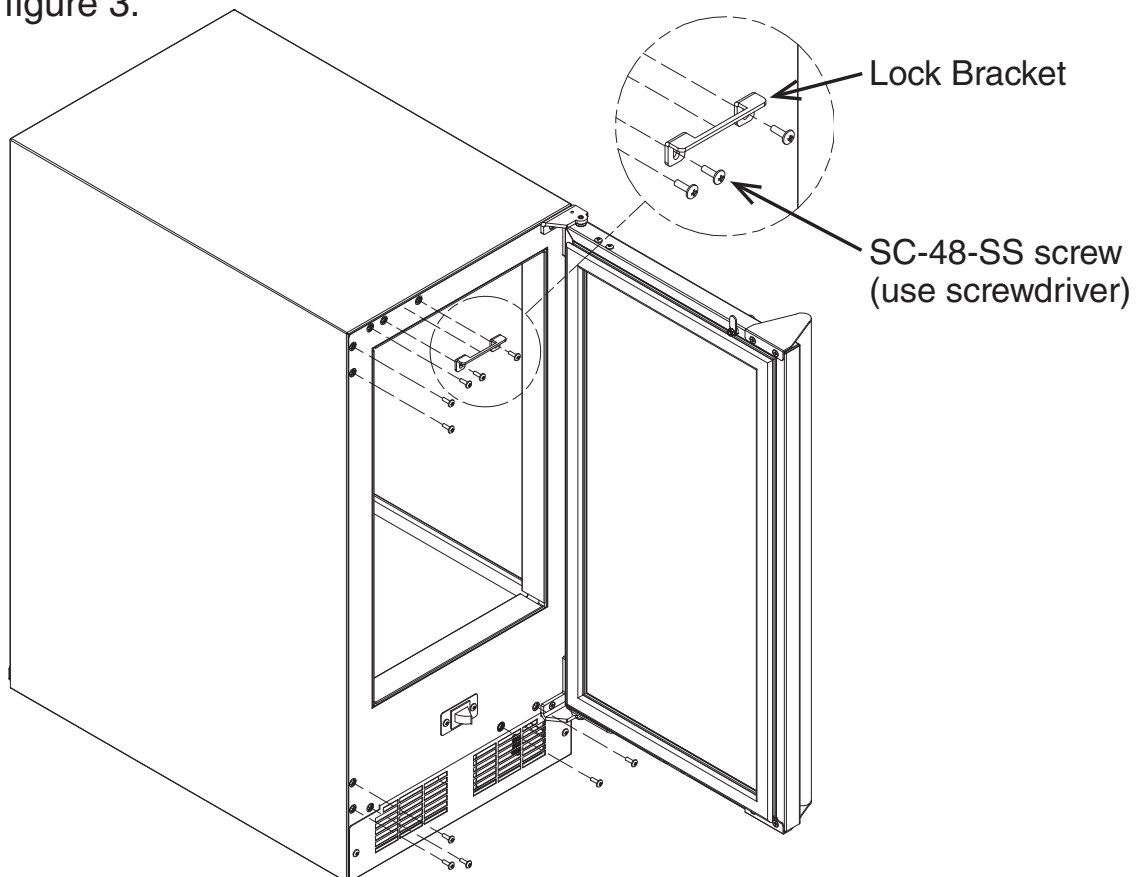
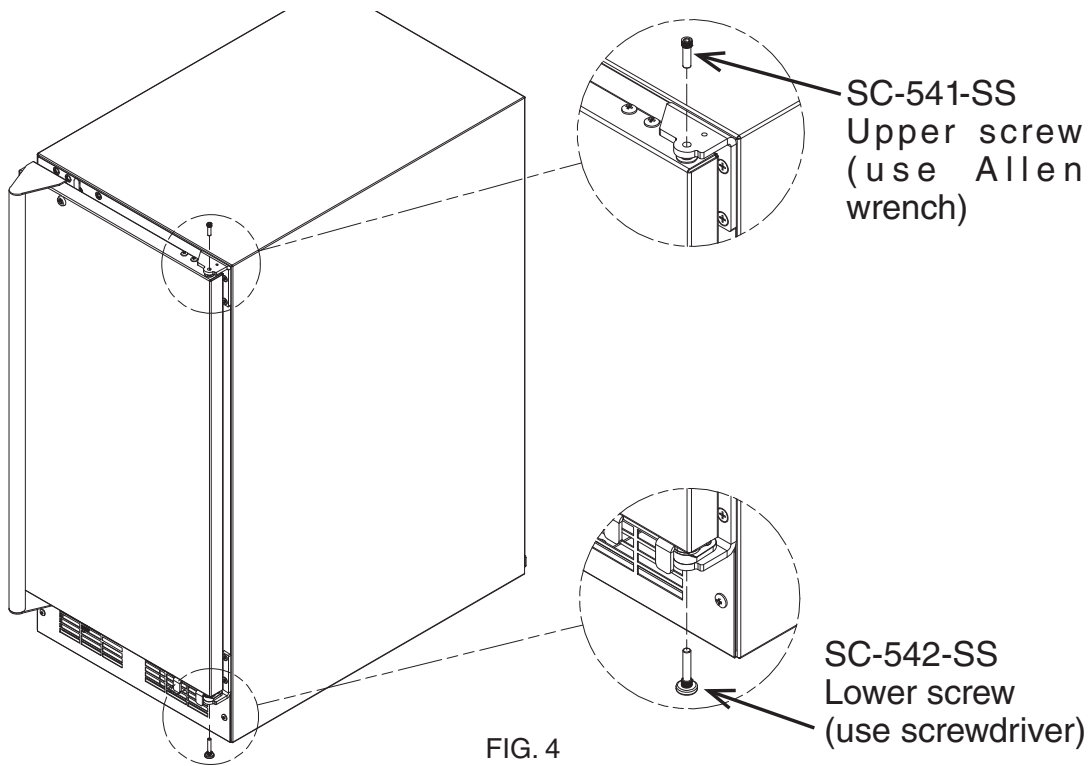
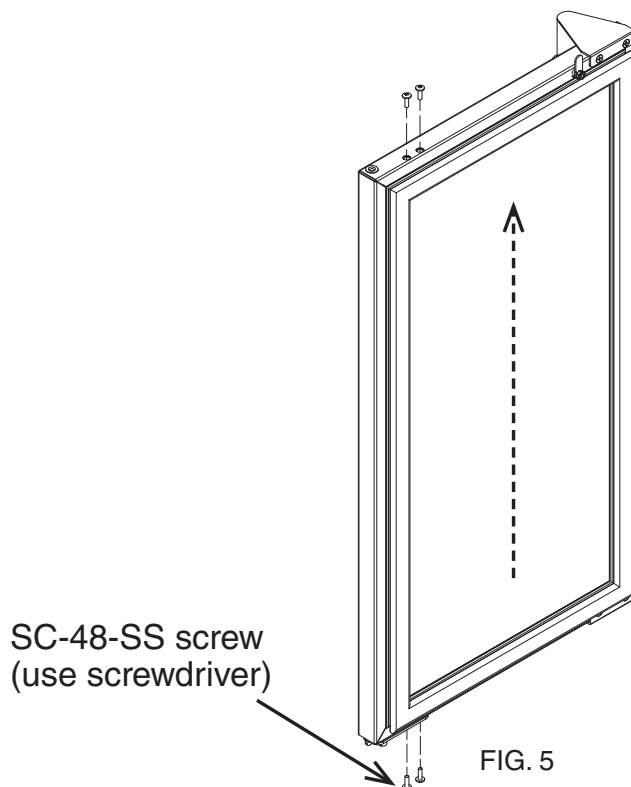


FIG. 3

**Step 2.** While maintaining a hold on the door, remove the SC-541-SS upper screw and the SC-542-SS lower screw and remove the door. See figure 4.



**Step 3.** Remove the SC-48-SS screws. See figure 5.



**Step 4.** Remove the Bushing and the Door Bracket from the door. See figure 6.

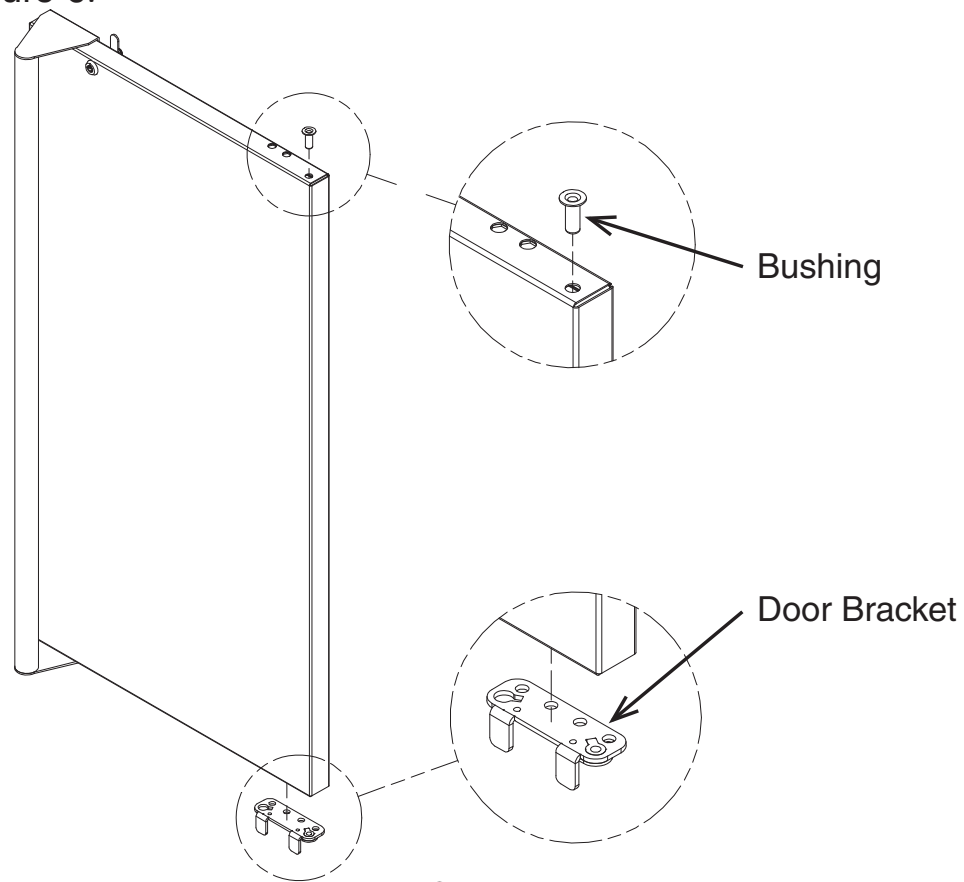


FIG. 6

**Step 5.** Remove the SC-543-SS screw and the Plastic Cam B from the Door Bracket, then attach them to the opposite side. See figure 7.

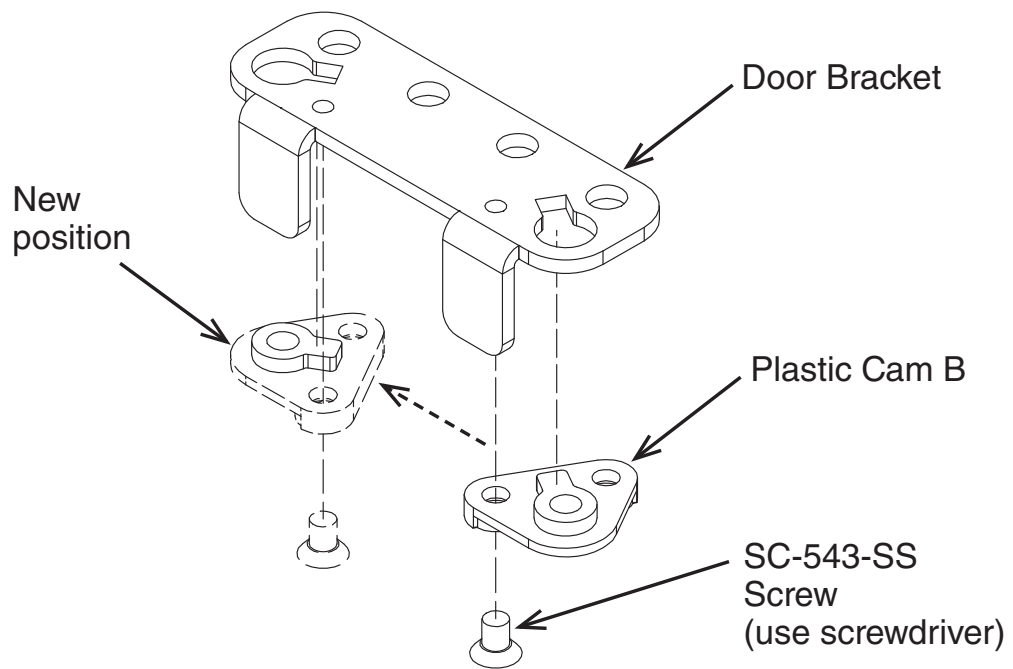


FIG. 7



**Step 6.** Next move the Bushing to the lower part of the door, and the Door Bracket to the upper part of the door. See figure 8.

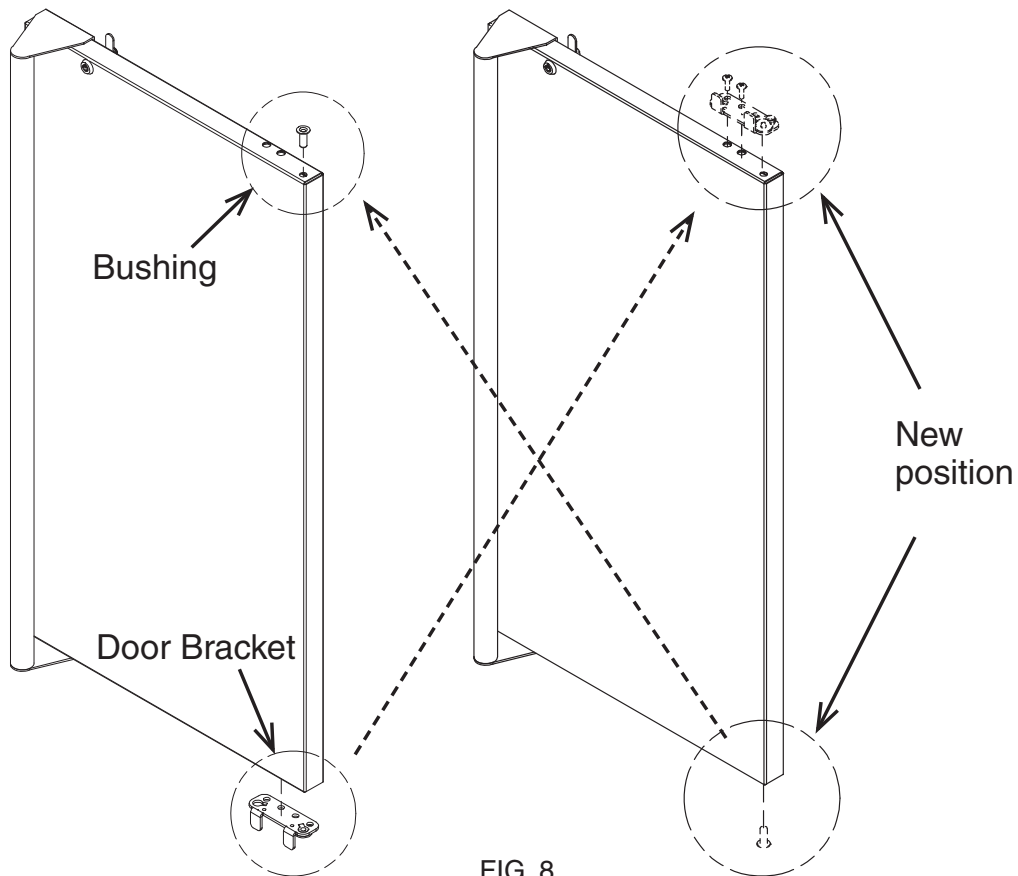


FIG. 8

**Step 7.** Remove the SC-50-SS screws and the hinges from the cabinet. See the illustration below. See figure 9.

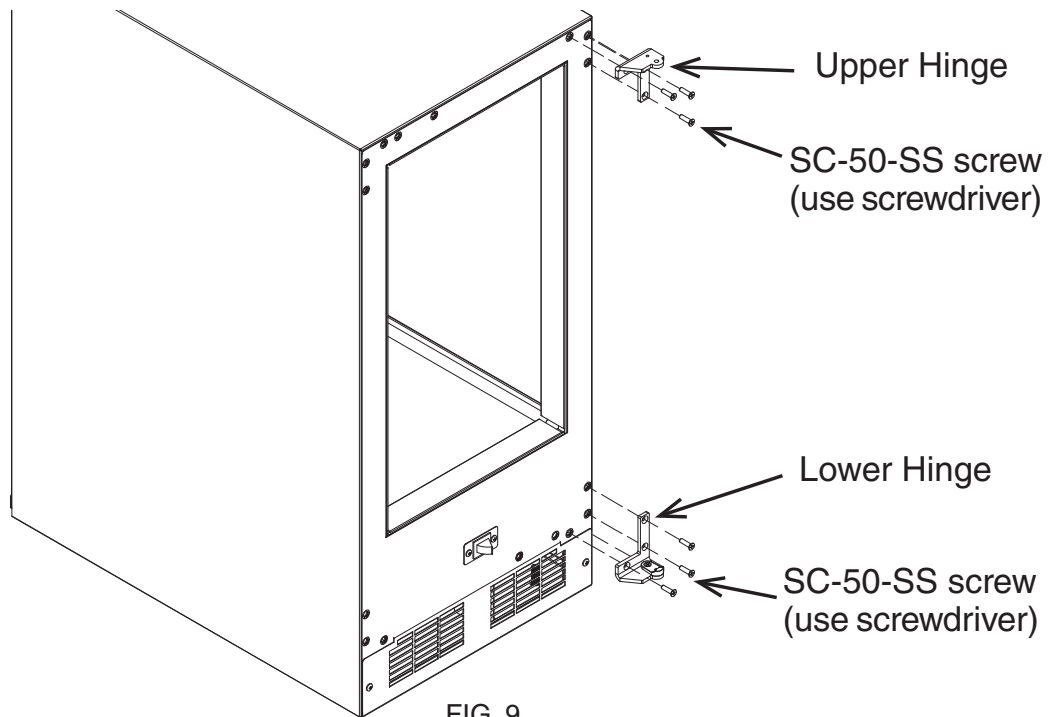


FIG. 9

**Step 8.** Remove the SC-543-SS screw and the Plastic Cam A from the Lower Hinge. Then place them on the Upper Hinge. See figure 10.

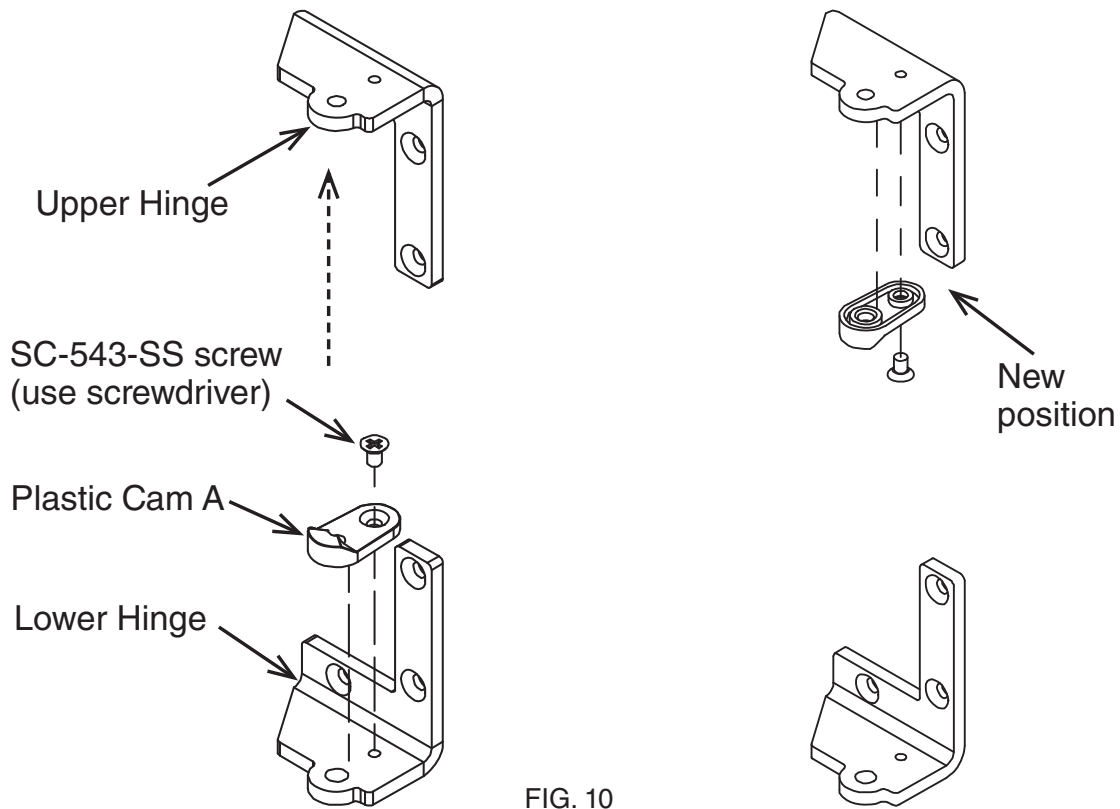


FIG. 10

**Step 9.** Attach the Upper Right Hinge to the lower left corner, then attach the Lower Right Hinge to the upper left corner. See figure 11.

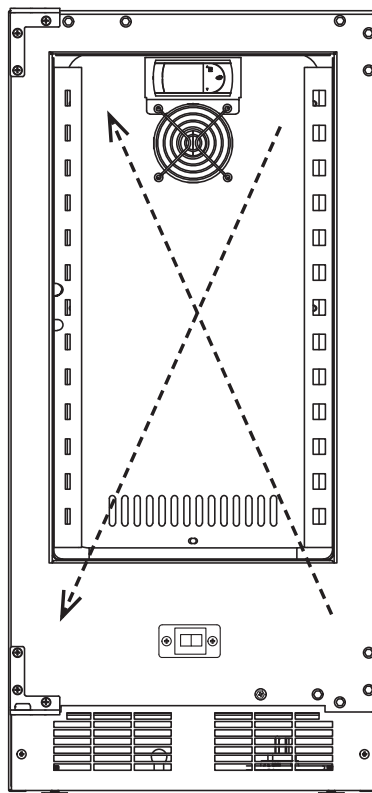


FIG. 11

**Step 10.** Rotate the door 180° and attach it to the cabinet using the SC-541-SS upper screw and the SC-542-SS lower screw. See figure 12.

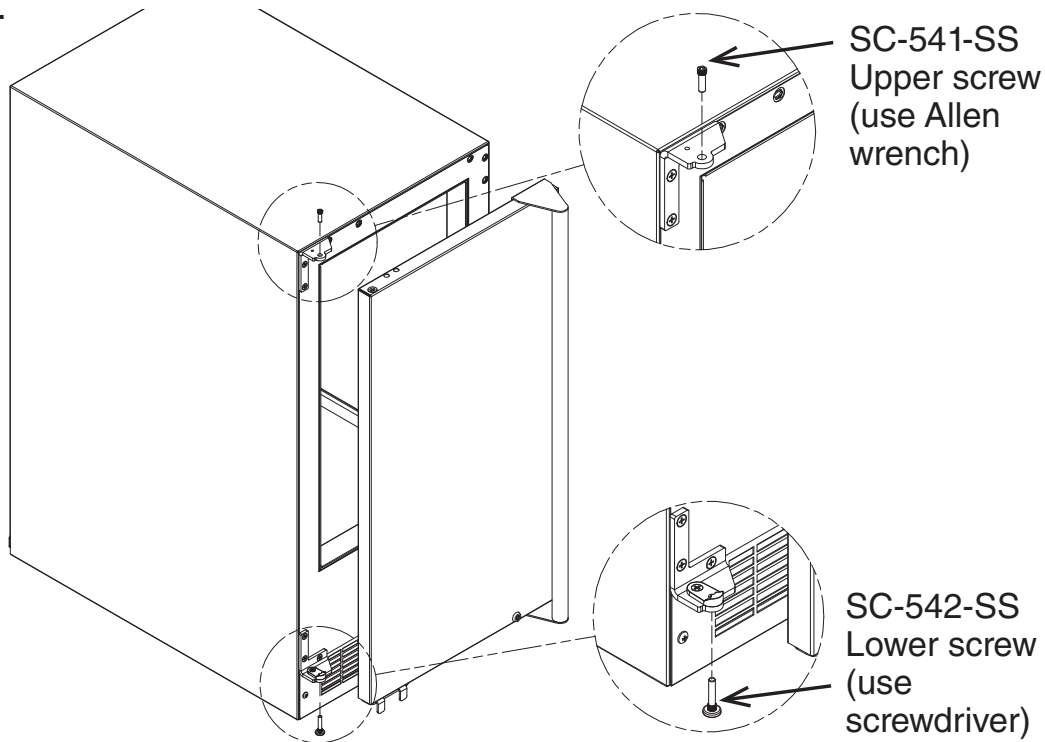


FIG. 12

**Step 11.** Finally attach the Lock Bracket to the lower right corner using the SC-48-SS screws, removed in Step 1. See figure 13.

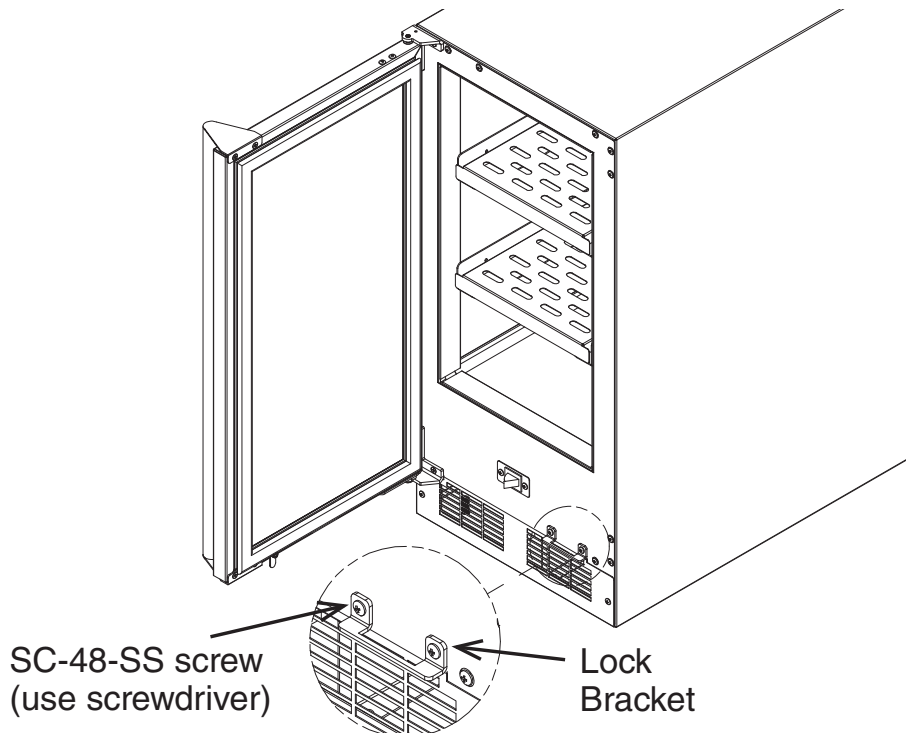


FIG. 13

---

## CONTROLS AND ADJUSTMENTS



---

## STEPS TO CHANGE SETPOINT

1. To access the menu press the “Set” button until the value “0” is displayed on the screen.
2. Release the “Set” button.
3. Press the “Up” button repeatedly until the value 22 is displayed on the screen. This is the password.
4. Push the “Set” button once to access the menu.
5. When you access the menu the display shows the letters “PS”.
6. Press the “Up” button repeatedly until “St” appears in the display, then press the “Set” button.
7. The display shows the value of the current setpoint.
8. Change the value of the Set Point using the “Up” or “Down” button.
9. To save the new Set Point, press the “Set” button until the display shows the current temperature.

### NOTES:

- THE DEFAULT SET POINT IS 34°F.
- THE SET POINT RANGE IS FROM 28°F TO 40°F.

---

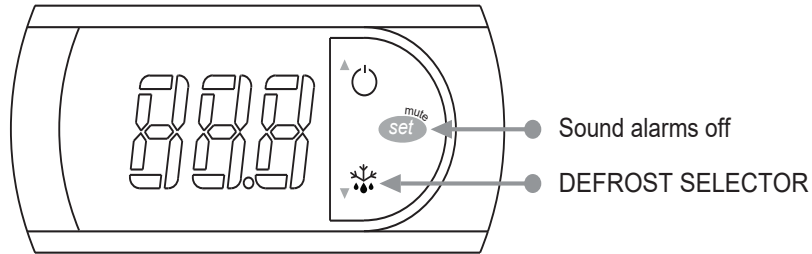
## ALARM SAFETIES

Alarm signals are designed to protect the appliance and items inside. These alarms give information or warnings in the event the appliance is operating out of acceptable parameters. Should one of the alarms occur, follow the instructions below to address the alarm. The alarm icon appears on the display and the alarm code alternates with the cabinet temperature. For high temperature, low temperature, and door alarms, the appliance beeps in addition to displaying the alarm icon and alarm code.

To obtain the name and phone number of your local Hoshizaki Certified Service Representative, visit [www.hoshizaki.com](http://www.hoshizaki.com)

## ALARM INDICATORS

### CONTROLLER DISPLAY



**If the cabinet temperature is displayed, the cooler is working properly; if an alarm code is displayed, see the information below**

#### ALARM

#### INDICATES

#### WHAT TO DO?

EO

Probe 1 error= control

Check if the room probe is loose

LO

Low temperature alarm

Wait a few minutes to see if the alarm ends, if the alarm persists, call a certified service technician

HI

High temperature alarm

Check if the compressor is running, wait a few minutes to see if the alarm ends, if the alarm persists, call a certified service technician

dF

Defrost running

Wait for the defrost to finish

**Note:** The sound alarm can be turned off by pressing the red button "set mute" on the right side of the display.

**In case the alarm is not turned off by the actions suggested, or you have any questions regarding the cooler performance, please contact Hoshizaki Technical Support.**

---

## FINAL CHECKLIST

- 1) Is the appliance level?
- 2) Have the casters been properly installed and have the front casters been locked?
- 3) Is the appliance in a site where the ambient temperature is constantly within 45°F to 100°F (7°C to 38°C)?
- 4) Have the shipping carton, tape, and packing material been removed from the appliance? Has the protective plastic film been removed from both the exterior panels and the interior door/drawer panel?
- 5) Have the appliance and accessories been checked for shipping damage?
- 6) Are the factory-installed rear bumpers in place to ensure proper rear clearance? For undercounter and worktop models, is there at least 1.5" (4 cm) overhead clearance for proper ventilation? For prep table models, is there at least 10" (25 cm) clearance above the rail hood to allow the rail cover to open?
- 7) For prep table models, have the rail dividers, pans, rail cover, cutting board brackets, and cutting board been properly installed?
- 8) Has the power supply voltage been checked or tested against the nameplate rating? Is the power supply a properly grounded, independent wall outlet? Does the electrical connection meet all national, state, and local code and regulation requirements?
- 9) Have the refrigerant lines been checked to make sure they do not rub or touch other lines or surfaces? Has the condenser fan blade been checked to make sure it turns freely? Is the compressor securely attached?
- 10) Have the shelves been adjusted to the desired height?
- 11) Has the end user been given the instruction manual, and instructed on how to operate the appliance and the importance of the recommended periodic maintenance?
- 12) Has the end user been given the contact information of an authorized service agent?
- 13) Has the warranty card been filled out and forwarded to the factory for warranty registration?

---

# CLEANING AND MAINTENANCE INSTRUCTIONS

## Cleaning

### **WARNING**

Before cleaning the appliance, turn off and unplug the appliance to prevent electric shock by unexpected entrance of water into the appliance or injury by moving parts.

Before cleaning the appliance, move all items into another refrigerator.

Do not splash water directly onto the appliance. This might cause short circuit, electric shock, corrosion, or failure.

Before using a sanitizer such as inert soap and sodium hypochlorite (chlorine bleach), thoroughly read the manufacturer's instructions on its proper usage.

### **IMPORTANT**

To prevent damage to the plastic surfaces, do not use the following: thinner, benzene, alcohol, petroleum, soap powder, polishing powder, alkaline cleaner, acid, scouring pad and especially those strong cleaners for use on a ventilating fan or a cooking range. Also, to prevent corrosion, do not use sodium hypochlorite (chlorine bleach) on the stainless steel surfaces.

Use a clean cloth for cleaning.

1. **Exterior:** Wipe the exterior occasionally with a clean, soft cloth. Use a damp cloth containing a neutral cleaner to wipe off oil or dirt buildup.
2. **Cabinet Interior:** Spills should be wiped up promptly to avoid unpleasant odors. The cabinet interior should be cleaned periodically with a mild soap or detergent and warm water.
3. **Door Gasket:** Door gasket should be cleaned regularly with mild soap and warm water to remove dirt and grease.
4. **Shelves:** Remove and clean regularly.

## Maintenance

### **WARNING**

- Unplug the appliance before performing maintenance to prevent electric shock or injury by moving parts. To reduce the risk of electric shock, do not touch the plug with damp hands.
- Before performing maintenance, move all foods into another clean refrigerator.

1. **Condenser:** Check the condenser once a year and use a brush or vacuum cleaner to clean the condenser as required.
2. **Power Supply Connection:** If the plug or power cord is damaged, contact your local Hoshizaki Certified Service Representative immediately and ask for repairs.

All other service should be performed in accordance with the Hoshizaki Service Manual by a qualified service technician.

## IMPORTANT NOTES ABOUT USAGE

### **DANGER**

#### Risk of Fire or Explosion Flammable Refrigerant Used

- Do not use mechanical devices to defrost.
- Do not puncture refrigerant tubing. Risk of fire or explosion due to puncture of refrigerant tubing; follow handling instructions carefully.
- Do not place any potential ignition sources in or near the appliance.

#### Risque De Feu Ou D'Explosion

#### Le Frigorigène Est Inflammable

- Ne pas utiliser d'appareils mécaniques pour dégivrer le réfrigérateur.
- Ne pas perforer la tubulure contenant le frigorigène. Risque de feu ou d'explosion si la tubulure contenant le frigorigène est perforée; suivre les instructions de manutention avec soin.
- Ne placez aucune source d'inflammation potentielle dans ou près de l'appareil.

### **WARNING**

- Only qualified service technicians should install and service this appliance.
- Wear appropriate personal protective equipment (PPE) when servicing the appliance.
- Failure to install, operate, and maintain the appliance in accordance with this manual may adversely affect safety, performance, component life, and warranty coverage.
- To reduce the risk of electric shock, do not touch the plug with damp hands.
- Do not splash, pour, or spray water directly onto or into the appliance. This might cause short circuit, electric shock, corrosion, or failure.
- The appliance is not intended for use by persons (including children) with reduced physical, sensory, or mental capabilities, or lack of experience and knowledge, unless they have been given supervision or instruction concerning use of the appliance by a person responsible for their safety.
- Children should be properly supervised around the appliance.
- Do not climb, stand, or hang on the appliance or door or allow children or animals to do so. Do not climb into the appliance or allow children or animals to do so. Death or serious injury could occur or the appliance could be damaged.
- Be careful not to pinch fingers when opening and closing the door. Be careful when opening and closing the door when children are in the area.



- Open and close the doors with care. Doors opened too quickly or forcefully may cause injury or damage to the appliance or surrounding equipment.
- Do not use combustible spray or place volatile or flammable substances near the appliance. They might catch fire.
- Keep the area around the appliance clean. Dirt, dust, or insects in the appliance could cause harm to individuals or damage to the appliance.

## ***NOTICE***

- Protect the floor when moving the appliance to prevent damage to the floor.
- Keep ventilation openings, in the appliance enclosure or in the built-in structure, clear of obstruction. Do not place anything on top of the appliance. Blockage of airflow could negatively affect performance and damage the appliance.
- Do not allow the appliance to bear any outside weight.
- To prevent deformation or cracks, do not spray insecticide onto the plastic parts or let them come into contact with oil.
- To avoid damage to the gasket, use only the door handle when opening and closing.
- To avoid damage to the top seal, do not lift the appliance by the top panel or remove the top panel.
- Do not leave the doors open.

---

## PREPARING THE APPLIANCE FOR PERIODS OF NON-USE

### Shutdown and Long Storage

When shutting down the appliance for more than one week, follow the instructions below.

 <b>WARNING</b>
--

When preparing the appliance for long storage, prevent the door from closing to reduce the risk of children getting trapped. Leave the shelves in place so that children may not easily climb inside.
---

<b><i>IMPORTANT</i></b>
-------------------------

When preparing the appliance for long storage, clean the cabinet interior, door gaskets, and shelves.
---

1. Before shutting down the appliance, move all items into another refrigerator.
2. Press and hold the power button for 2 seconds to turn off the appliance.
3. Unplug the appliance. **WARNING! To reduce the risk of electric shock, do not touch the plug with damp hands.**
4. **WARNING! Prevent the door from closing to reduce the risk of children getting trapped. Leave the shelves in place so that children may not easily climb inside.**

---

## DISPOSAL

### DANGER

#### **Risk of Fire or Explosion Flammable Refrigerant Used**

- Follow handling instructions carefully in compliance with U.S. government regulations.
- Do not puncture refrigerant tubing. Risk of fire or explosion due to puncture of refrigerant tubing; follow handling instructions carefully.
- Dispose of properly in accordance with federal or local regulations.

#### **Risque De Feu Ou D'Explosion Le Frigorigène Est Inflammable**

- Suivre attentivement les instructions de manipulation conformément à la réglementation gouvernementale.
- Ne pas perforer la tubulure contenant le frigorigène. Risque de feu ou d'explosion si la tubulure contenant le frigorigène est perforée; suivre les instructions de manutention avec soin.
- Éliminer conformément aux règlements fédéraux ou locaux.

### WARNING

When preparing the appliance for disposal, remove the door to reduce the risk of children getting trapped. Leave any shelves in place so that children may not easily climb inside.

The appliance contains refrigerant and must be disposed of in accordance with applicable national, state, and local codes and regulations. Refrigerant must be recovered by properly certified service personnel.

**HOSHIZAKI AMERICA, INC.**

---

618 Hwy. 74 South, Peachtree City, GA 30269 USA (P) 770.487.2331 (F) 770.487.3360 [hoshizakiamerica.com](http://hoshizakiamerica.com)