

Hoshizaki America, Inc.

Modular Flaker

Models
F-450MAH(-C)



“A Superior Degree
of Reliability”

www.hoshizaki.com

SERVICE MANUAL



Issued: 8-25-2009

IMPORTANT

Only qualified service technicians should install, service, and maintain the icemaker. No service or maintenance should be undertaken until the technician has thoroughly read this Service Manual. Failure to service and maintain the equipment in accordance with this manual may adversely affect safety, performance, component life, and warranty coverage.

Hoshizaki provides this manual primarily to assist qualified service technicians in the service and maintenance of the icemaker.

Should the reader have any questions or concerns which have not been satisfactorily addressed, please call, write, or send an e-mail message to the Hoshizaki Technical Support Department for assistance.

HOSHIZAKI AMERICA, INC.
618 Highway 74 South
Peachtree City, GA 30269

Attn: Hoshizaki Technical Support Department

Phone: 1-800-233-1940 Technical Support
(770) 487-2331

Fax: 1-800-843-1056
(770) 487-3360

E-mail: techsupport@hoshizaki.com

Web Site: www.hoshizaki.com

NOTE: To expedite assistance, all correspondence/communication **MUST** include the following information:

- Model Number

- Serial Number

- Complete and detailed explanation of the problem.

Please review this manual. It should be read carefully before the icemaker is serviced or maintenance operations are performed. Only qualified service technicians should service and maintain the icemaker. This manual should be made available to the technician prior to service or maintenance.

CONTENTS

I. Specifications	4
1. F-450MAH	4
2. F-450MAH-C	5
II. General Information	6
1. Construction	6
2. Control Box Layout	7
3. Timer Board	8
[a] Solid-State Control	8
[b] Timer Board	8
[c] Sequence	9
III. Technical Information	12
1. Water Circuit and Refrigeration Circuit	12
2. Wiring Diagram	13
[a] F-450MAH	13
[b] F-450MAH-C	14
3. Sequence of Electrical Circuit	15
4. Timing Chart	25
5. Performance Data	28
[a] F-450MAH	28
[b] F-450MAH-C	29
IV. Service Diagnosis	30
1. No Ice Production	30
2. Low Ice Production	33
3. Other	34
V. Removal and Replacement of Components	35
1. Service for Refrigerant Lines	35
[a] Refrigerant Recovery	35
[b] Evacuation and Recharge [R-404A]	35
2. Brazing	36
3. Removal and Replacement of Compressor	37
4. Removal and Replacement of Drier	38
5. Removal and Replacement of Expansion Valve	39
6. Removal and Replacement of Evaporator Assembly	40
7. Removal and Replacement of Fan Motor	42
8. Removal and Replacement of Control Water Valve	42
9. Removal and Replacement of Flush Water Valve	43
VI. Cleaning and Maintenance	44
1. Preparing the Icemaker for Long Storage	44
2. Cleaning and Sanitizing Instructions	45
[a] Cleaning Solution	45
[b] Cleaning Procedure	46
[c] Sanitizing Solution	47
[d] Sanitizing Procedure - Initial	47
[e] Sanitizing Procedure - Final	48
3. Maintenance Instructions	50


I. Specifications

1. F-450MAH

AC SUPPLY VOLTAGE	115/60/1			
COMPRESSOR	120 V	8.5 RLA	51 LRA	
GEAR MOTOR	120 V	1.6 FLA	1/6 HP	
FAN MOTOR	115 V	0.85FLA	50W	
OTHER	120 V	0.03A		
MAXIMUM FUSE SIZE	20 A			
MAX. HACR BREAKER (USA ONLY)	20 A			
MAX. CIRC. BREAKER (CANADA ONLY)	20 A			
MINIMUM CIRCUIT AMPACITY	20 A			
APPROXIMATE ICE PRODUCTION PER 24 HR. lbs./day (kg/day) Reference without *marks	Ambient Temp.(°F)	WATER TEMP. (°F)		
		50	70	90
	70	*476 (216)	456 (207)	435 (197)
	80	416 (189)	397 (180)	379 (172)
	90	362 (164)	*355 (161)	330 (150)
	100	315 (143)	301 (137)	*282 (128)
SHAPE OF ICE	Flake			
ICE QUALITY	Approx. 70%, Ice (90/70°F, Conductivity 200 µs/cm)			
APPROXIMATE STORAGE CAPACITY	N/A			
ELECTRIC & WATER CONSUMPTION	90/70°F		70/50°F	
ELECTRIC W (kWH/100 lbs.)	915 (6.2)		858 (4.3)	
POTABLE WATER gal./24HR (gal./100 lbs.)	43 (12)		57 (12)	
EXTERIOR DIMENSIONS (WxDxH)	21"-7/8" x 27-3/8" x 21-61/64" (556 x 696 x 557.7mm)			
EXTERIOR FINISH	Stainless Steel, Galvanized Steel (Rear)			
WEIGHT	Net 150 lbs. (68 kg), Shipping 175 lbs. (80 kg)			
CONNECTIONS - ELECTRIC	Permanent - Connection			
- WATER SUPPLY	Inlet 1/2" FPT			
- DRAIN	Outlet 3/4" FPT			
ICE MAKING SYSTEM	Auger type			
HARVESTING SYSTEM	Direct Driven Auger (1/6 HP Gear Motor)			
ICE MAKING WATER CONTROL	Float Switch			
COOLING WATER CONTROL	N/A			
BIN CONTROL SYSTEM	Mechanical Bin Control (Proximity Sw.)			
COMPRESSOR	Hermetic, Model RS43C1E-CAA-219			
CONDENSER	Air-cooled, Fin and tube type			
EVAPORATOR	Copper Tube on Cylinder			
REFRIGERANT CONTROL	Thermostatic Expansion Valve			
REFRIGERANT CHARGE	R-404A, 1 lb. (455 g)			
DESIGN PRESSURE	High 427 PSIG, Low 230 PSIG			
P.C. BOARD CIRCUIT PROTECTION	High Voltage Cut-off Relay			
COMPRESSOR PROTECTION	Internal Protector			
GEAR MOTOR PROTECTION	Manual reset Circuit Breaker or Fuse			
REFRIGERANT CIRCUIT PROTECTION	Auto-reset High Pressure Control Switch			
LOW WATER PROTECTION	Float Switch and Timer			
ACCESSORIES - REQUIRED	Ice Storage Bin			
OPERATING CONDITIONS	VOLTAGE RANGE	104 - 127 V		
	AMBIENT TEMP.	45 - 100° F		
	WATER SUPPLY TEMP.	45 - 90° F		
	WATER SUPPLY PRESSURE	10 - 113 PSIG		

We reserve the right to make changes in specifications and design without prior notice.

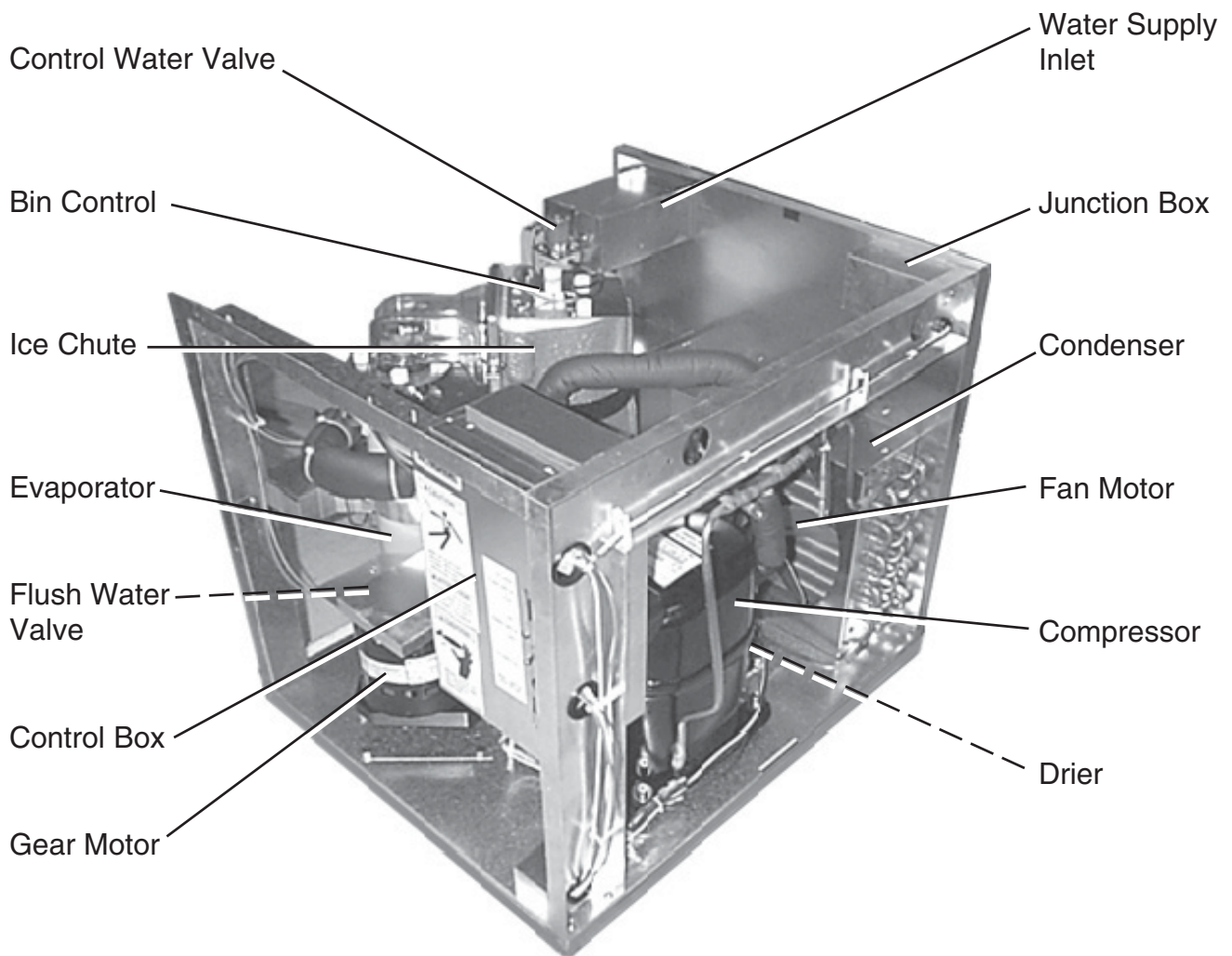
2. F-450MAH-C

AC SUPPLY VOLTAGE	115/60/1			
COMPRESSOR	120 V	8.5 RLA	51 LRA	
GEAR MOTOR	120 V	1.6 FLA	1/6 HP	
FAN MOTOR	115 V	0.85FLA	50W	
OTHER	120 V	0.03A		
MAXIMUM FUSE SIZE	20 A			
MAX. HACR BREAKER (USA ONLY)	20 A			
MAX. CIRC. BREAKER (CANADA ONLY)	20 A			
MINIMUM CIRCUIT AMPACITY	20 A			
APPROXIMATE ICE PRODUCTION PER 24 HR. lbs./day (kg/day) Reference without *marks	Ambient Temp.(°F)	WATER TEMP. (°F)		
		50	70	90
	70	*426 (193)	407 (185)	387 (176)
	80	368 (167)	350 (159)	333 (151)
	90	317 (144)	*310 (141)	287 (130)
	100	273 (124)	260 (118)	*244 (111)
SHAPE OF ICE	Cubelet			
ICE QUALITY	Approx. 80%, Ice (90/70°F, Conductivity 200 µs/cm)			
APPROXIMATE STORAGE CAPACITY	N/A			
ELECTRIC & WATER CONSUMPTION	90/70°F	70/50°F		
ELECTRIC W (kWH/100 lbs.)	956 (7.4)	880 (5.0)		
POTABLE WATER	37 (12)	51 (12)		
gal./24HR (gal./100 lbs.)				
EXTERIOR DIMENSIONS (WxDxH)	21"-7/8" x 27-3/8" x 21-61/64" (556 x 696 x 557.7mm)			
EXTERIOR FINISH	Stainless Steel, Galvanized Steel (Rear)			
WEIGHT	Net 150 lbs. (68 kg), Shipping 175 lbs. (80 kg) 			
CONNECTIONS - ELECTRIC	Permanent - Connection			
- WATER SUPPLY	Inlet 1/2" FPT			
- DRAIN	Outlet 3/4" FPT			
ICE MAKING SYSTEM	Auger type			
HARVESTING SYSTEM	Direct Driven Auger (1/6 HP Gear Motor)			
ICE MAKING WATER CONTROL	Float Switch			
COOLING WATER CONTROL	N/A			
BIN CONTROL SYSTEM	Infrared Sensor			
COMPRESSOR	Hermetic, Model RS43C1E-CAA-219			
CONDENSER	Air-cooled, Fin and tube type			
EVAPORATOR	Copper Tube on Cylinder			
REFRIGERANT CONTROL	Thermostatic Expansion Valve			
REFRIGERANT CHARGE	R-404A, 1 lb. (455 g)			
DESIGN PRESSURE	High 427 PSIG, Low 230 PSIG			
P.C. BOARD CIRCUIT PROTECTION	High Voltage Cut-off Relay			
COMPRESSOR PROTECTION	Internal Protector			
GEAR MOTOR PROTECTION	Manual reset Circuit Breaker or Fuse			
REFRIGERANT CIRCUIT PROTECTION	Auto-reset High Pressure Control Switch			
LOW WATER PROTECTION	Float Switch and Timer			
ACCESSORIES - REQUIRED	Ice Storage Bin			
OPERATING CONDITIONS	VOLTAGE RANGE	104 - 127 V		
	AMBIENT TEMP.	45 - 100° F		
	WATER SUPPLY TEMP.	45 - 90° F		
	WATER SUPPLY PRESSURE	10 - 113 PSIG		

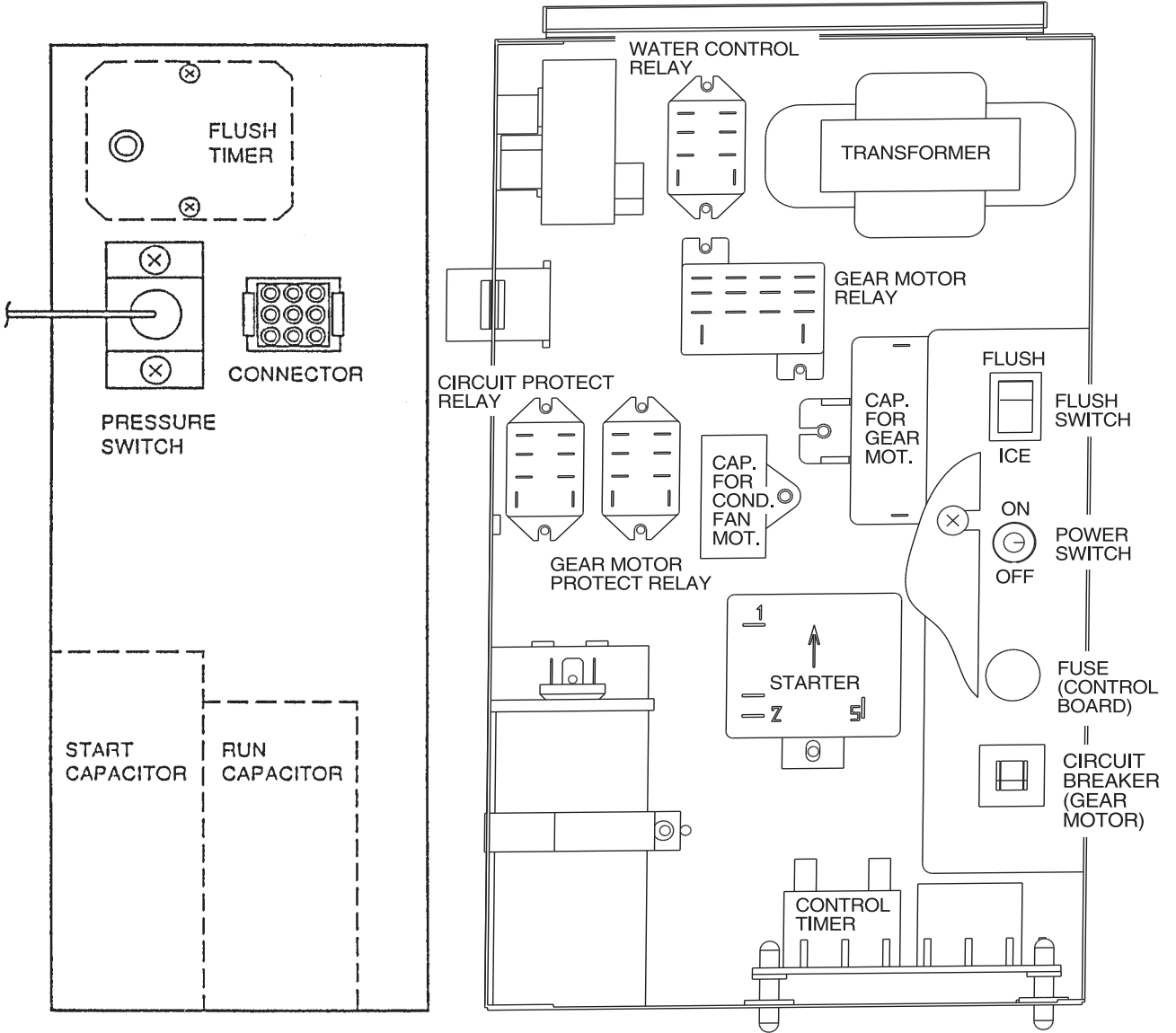
We reserve the right to make changes in specifications and design without prior notice.

II. General Information

1. Construction



2. Control Box Layout



Note: The above component names are identical with the wiring label, but not with the parts list.

3. Timer Board

[a] Solid-State Control

- 1) A HOSHIZAKI exclusive solid-state control is employed in the self-contained flaker icemakers.
- 2) A printed circuit board (hereafter called “timer board”) includes a stable and high quality control system.
- 3) All models are pre-tested and factory-adjusted.

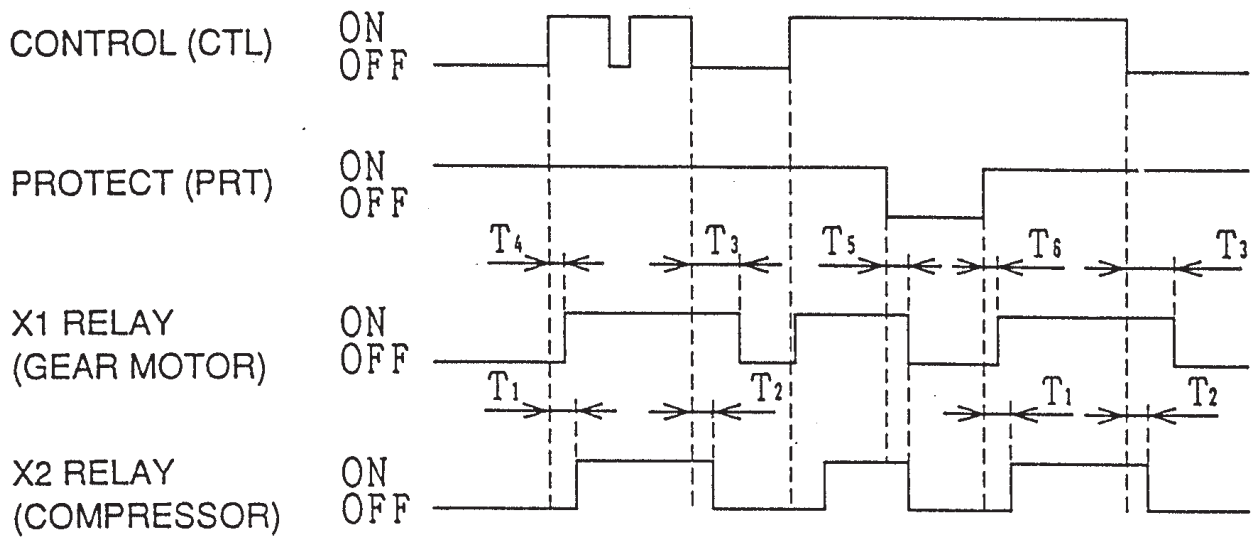
[b] Timer Board

CAUTION

1. Fragile, handle very carefully.
2. A timer board contains CMOS (Complementary Metal-Oxide Semiconductor) integrated circuits, which are susceptible to failure due to static discharge. It is especially important to use an anti-static wrist strap when handling or replacing the board.
3. Do not touch the electronic devices on the board or the back of the board to prevent damage to the board.
4. Do not change wiring and connections. Especially, never misconnect terminals.
5. Do not fix the electronic devices or parts on the board in the field. Always replace the whole board assembly when it goes bad.

The icemaker is controlled by the timer board for the following purposes:

- 1) To prevent the gear motor and the compressor from starting or stopping simultaneously.
- 2) To reduce remaining ice in the refrigeration casing.
- 3) To protect the unit in case of low water and low water pressure.
- 4) To protect the unit in case the bin control causes chattering.



PART CODE	437305-01
MODEL	H2AA144C01
RATING	24 VAC 50/60Hz
T1	60±15 sec.
T2	90±22 sec.
T3	150±45 sec.
T4	1 sec. or less
T5	6.7 sec. ± 70%
T6	6.7 sec. ± 70%

Fig. 3

Functions of Terminals

1) Terminals 1, 2

Power supply AC 24V.

2) Terminals 3, 4

Control X1 (GM) and X2 (CM) Relays.

When closed, energize X1 (GM) in 1 sec. and X2 (CM) in 60 sec.

When opened, de-energize X1 (GM) in 150 sec. and X2 (CM) in 90 sec.

3) Terminals 5, 6

Control X1 (GM) and X2 (CM) Relays.

When opened, de-energize X1 (GM) and X2 (CM) immediately.

When closed again, energize X1 (GM) in 1 sec. and X2 (CM) in 60 sec.

4) Terminals 7, 8, 9

X1 (GM) contacts.

8 is a movable contact, 7 is a make contact, and 9 is a break contact.

5) Terminals 10, 11

Control X2 (CM) Relays.

When opened, de-energize X2 (CM) immediately.

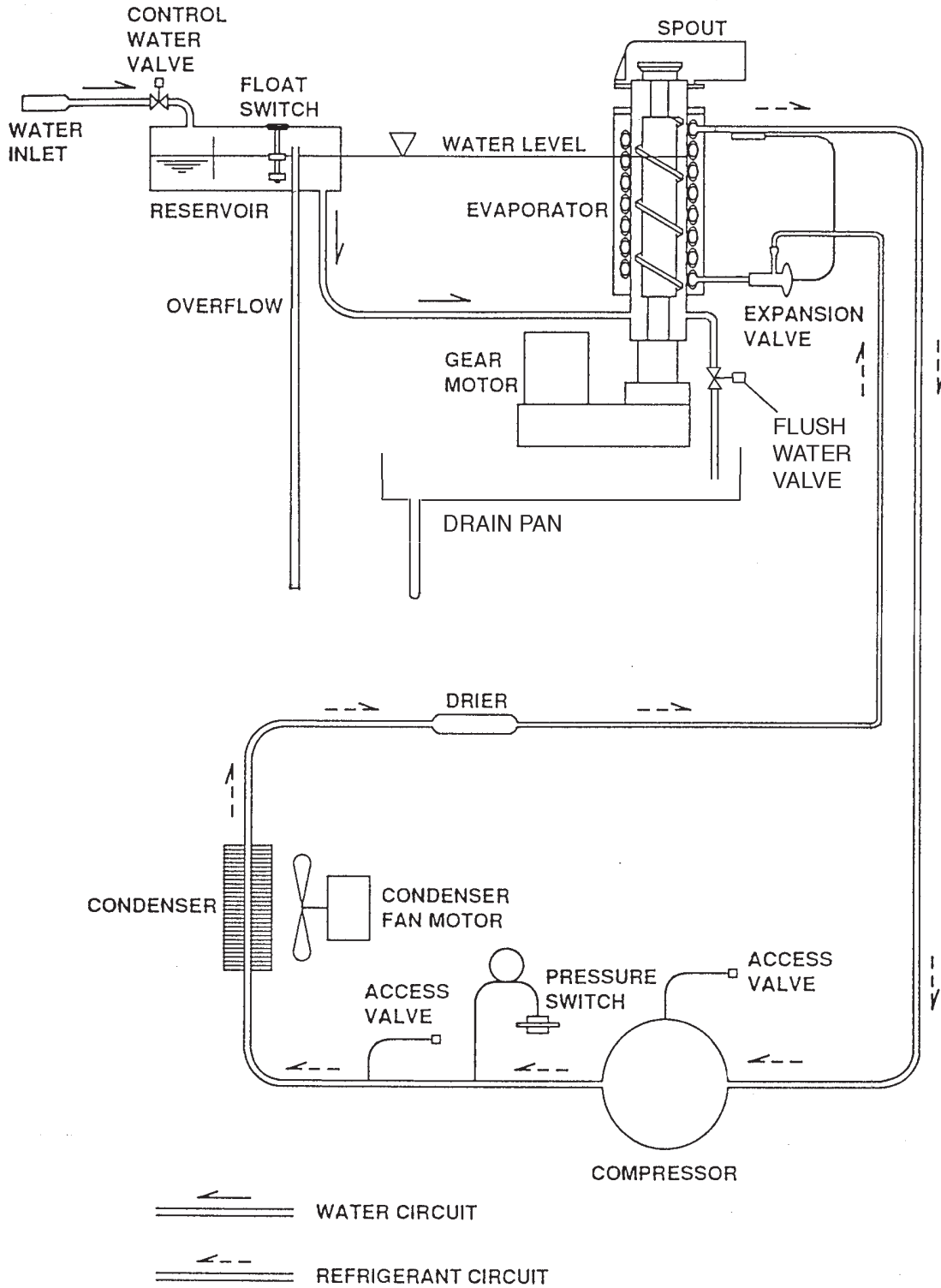
When closed, energize X2 (CM) immediately.

Note: 1. X2 Relay is a single pole, normally open relay, and its terminals are mounted on the relay itself.

2. The above operation times are median. See Fig. 3 for details.

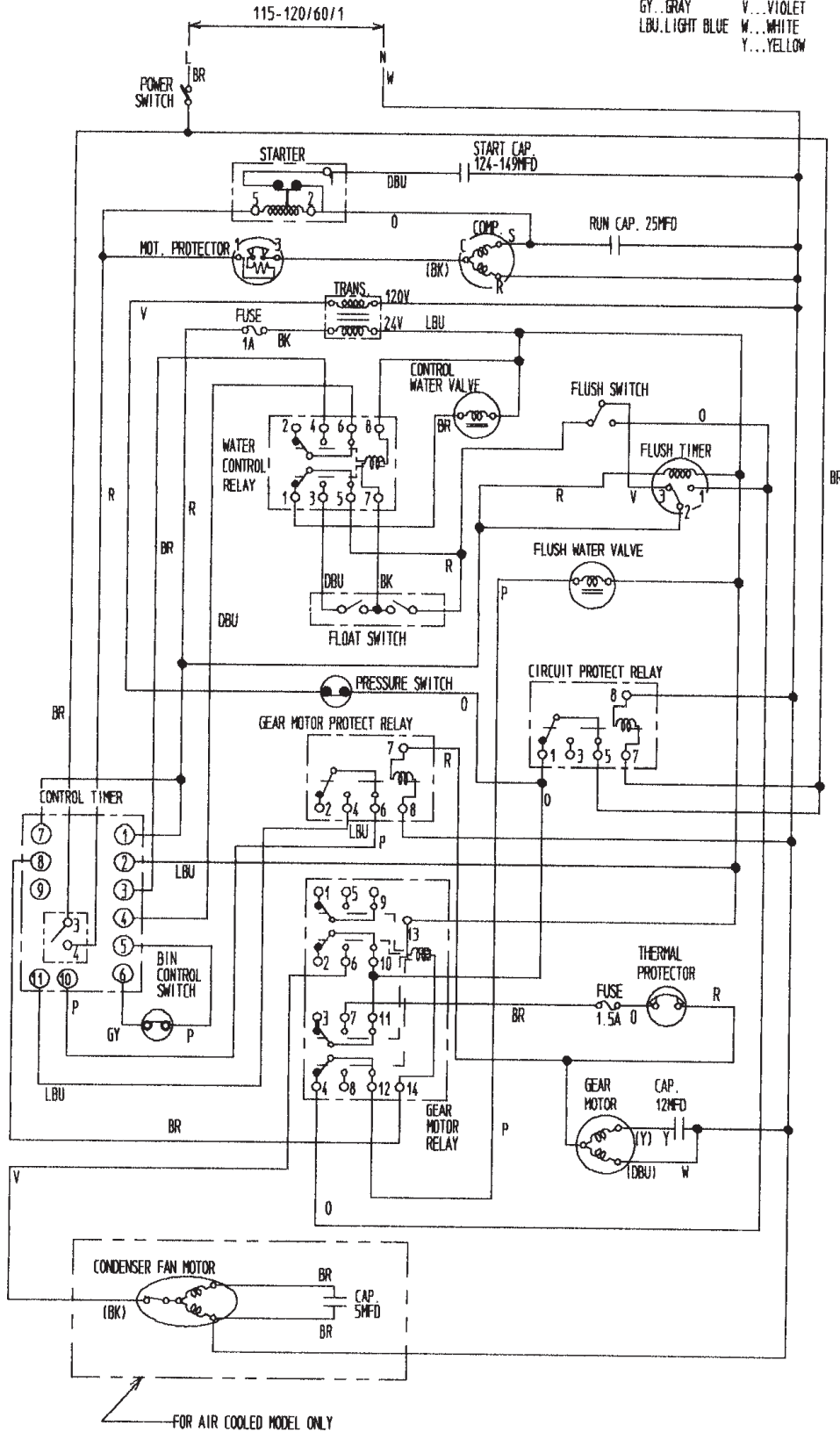
III. Technical Information

1. Water Circuit and Refrigeration Circuit

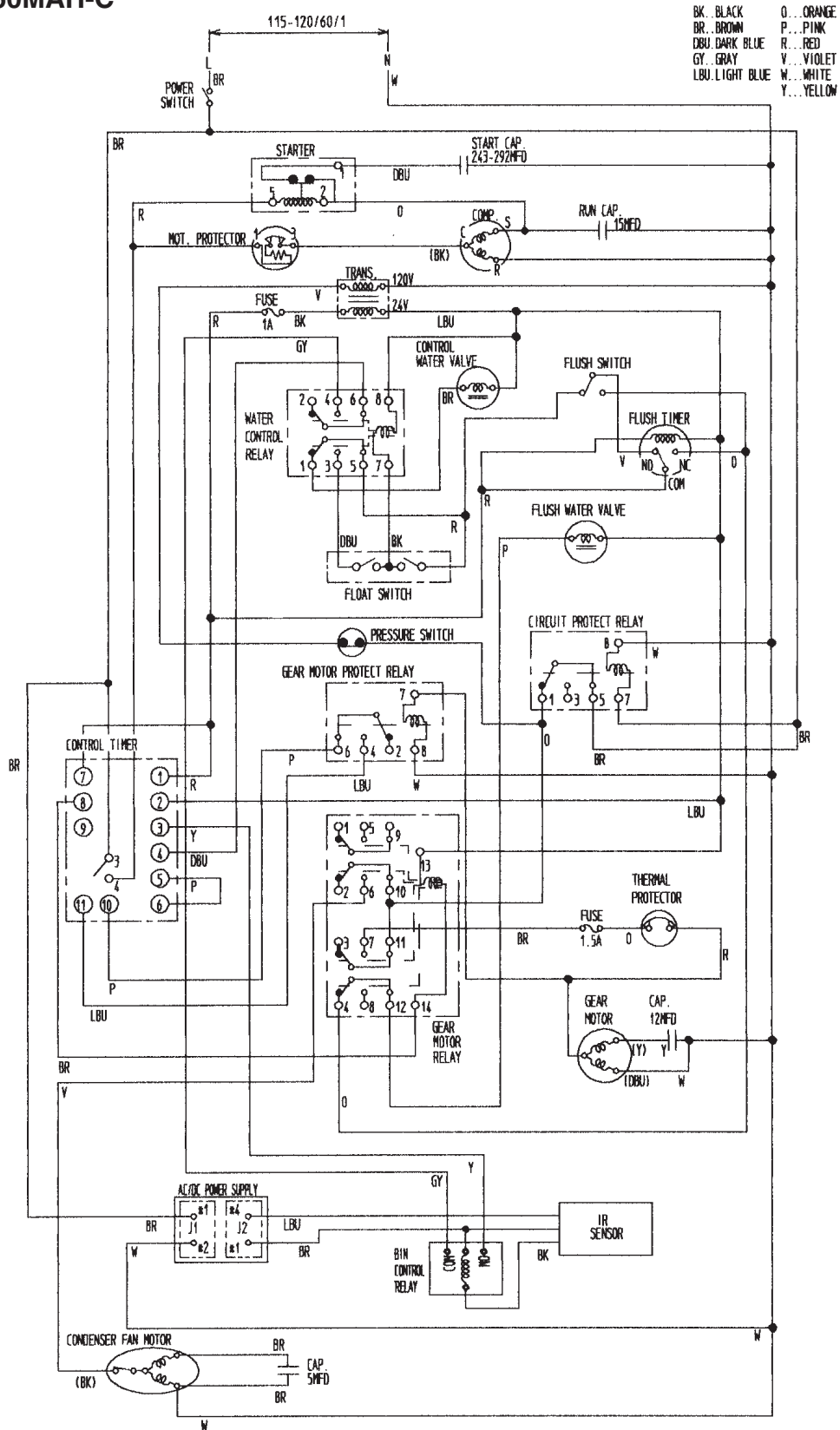


2. Wiring Diagram [a] F-450MAH

BK...BLACK
BR...BROWN
DBU...DARK BLUE
GY...GRAY
LBU...LIGHT BLUE
O...ORANGE
P...PINK
R...RED
V...VIOLET
W...WHITE
Y...YELLOW



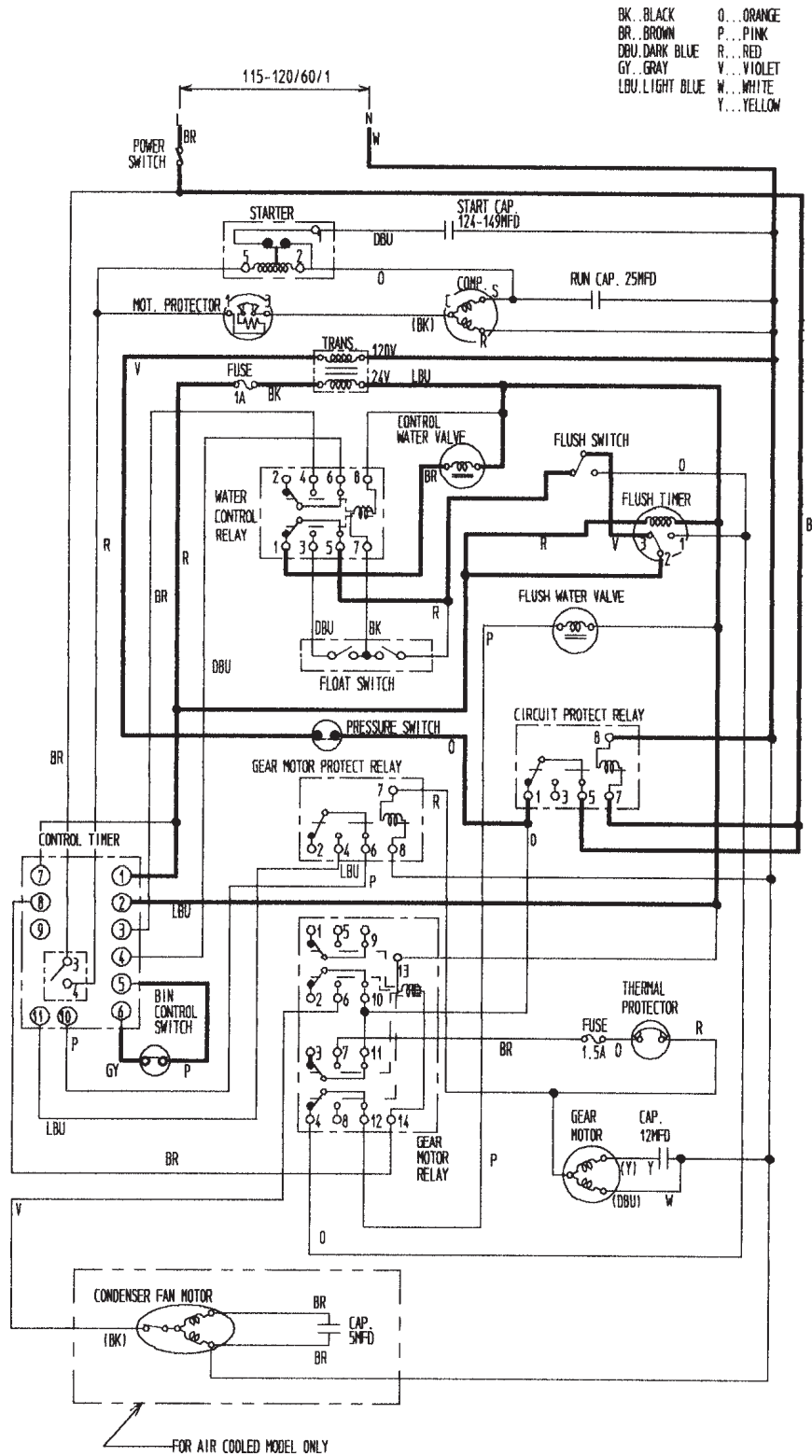
[b] F-450MAH-C



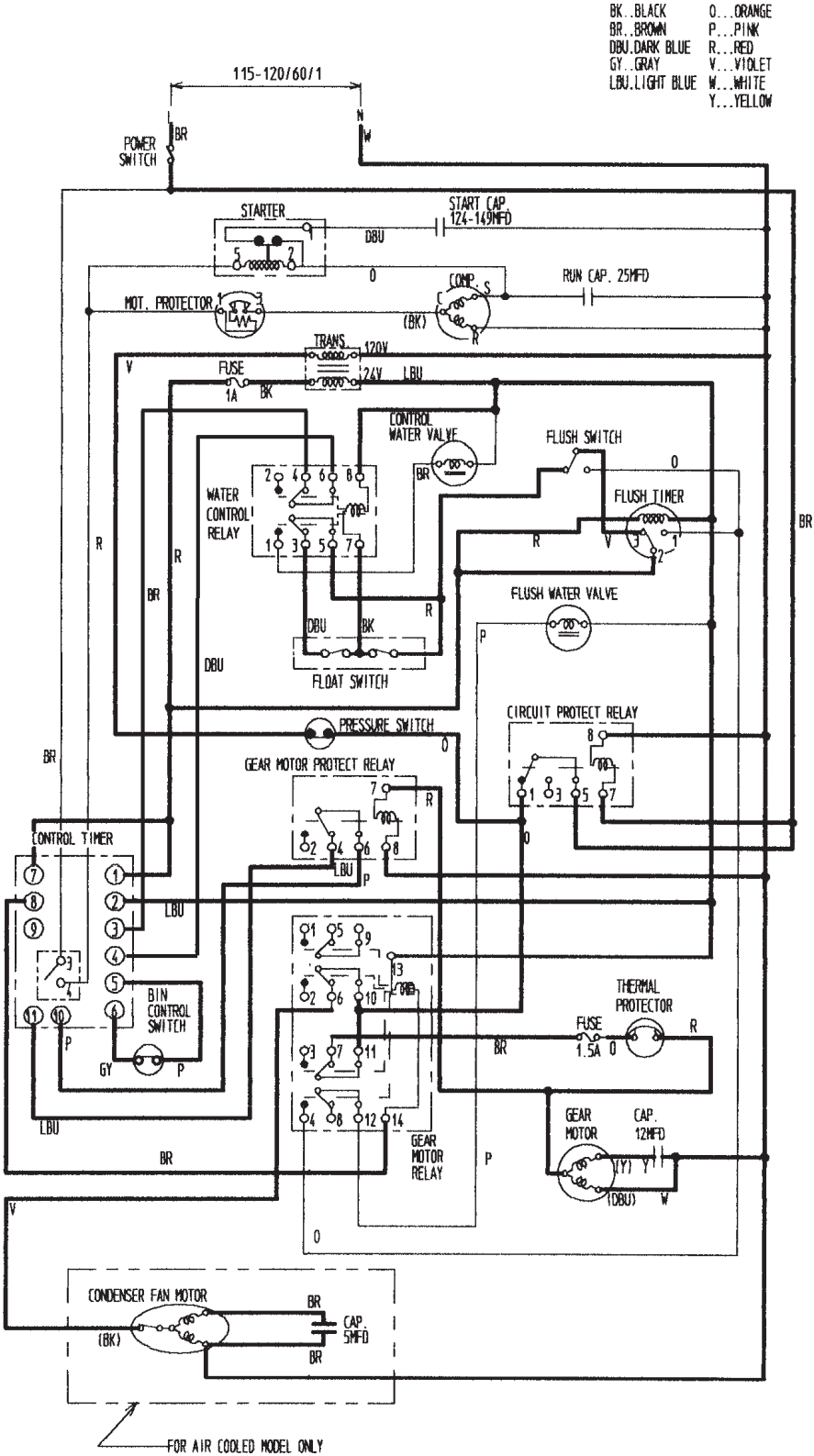
- BK...BLACK
- BR...BROWN
- DBU...DARK BLUE
- GY...GRAY
- LBU...LIGHT BLUE
- O...ORANGE
- P...PINK
- R...RED
- V...VIOLET
- W...WHITE
- Y...YELLOW

3. Sequence of Electrical Circuit

[a] When power switch is moved to "ON" position and flush switch to "ICE" position, water starts to be supplied to reservoir.

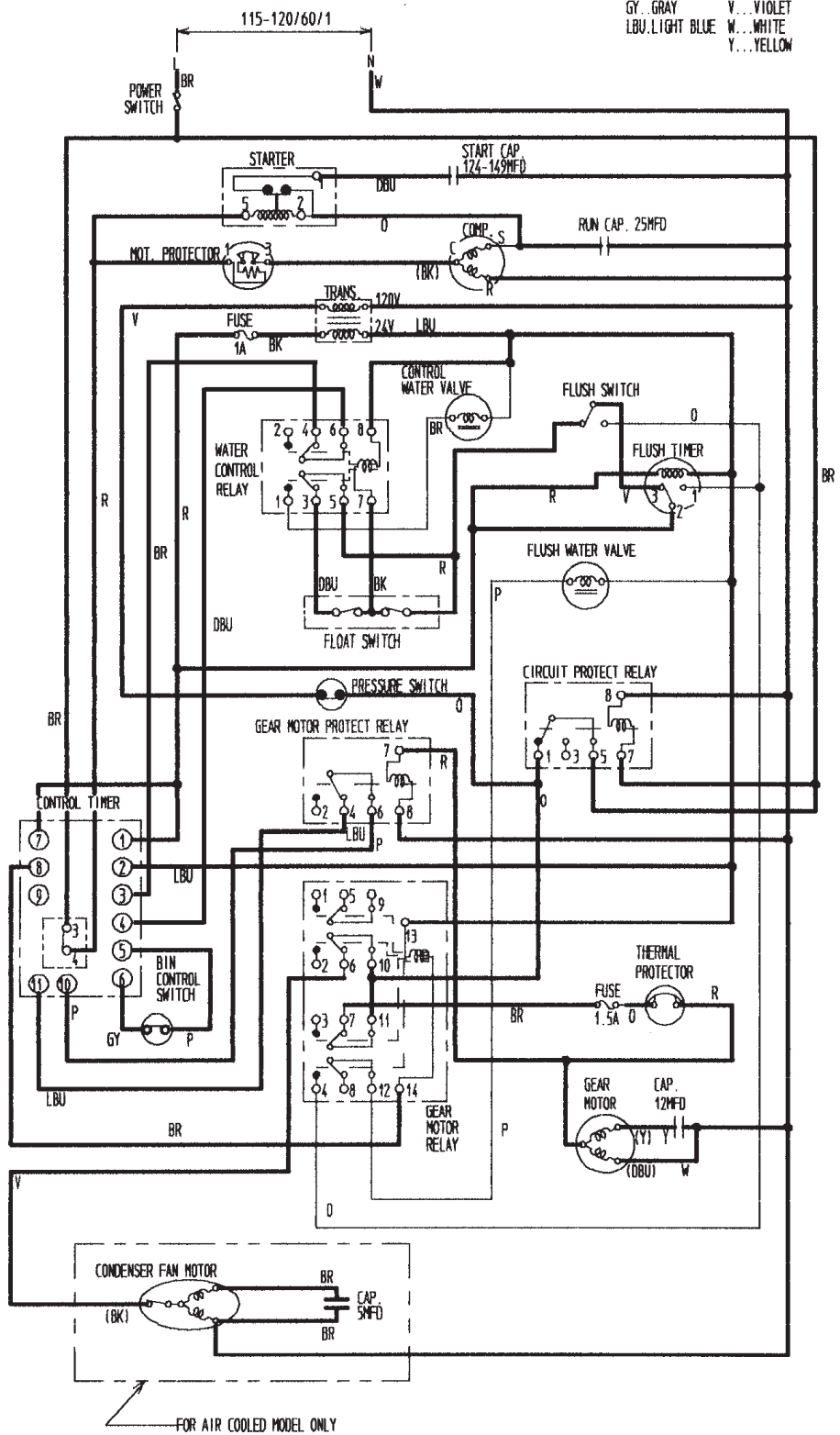


[b] When reservoir has been filled, gear motor starts immediately.

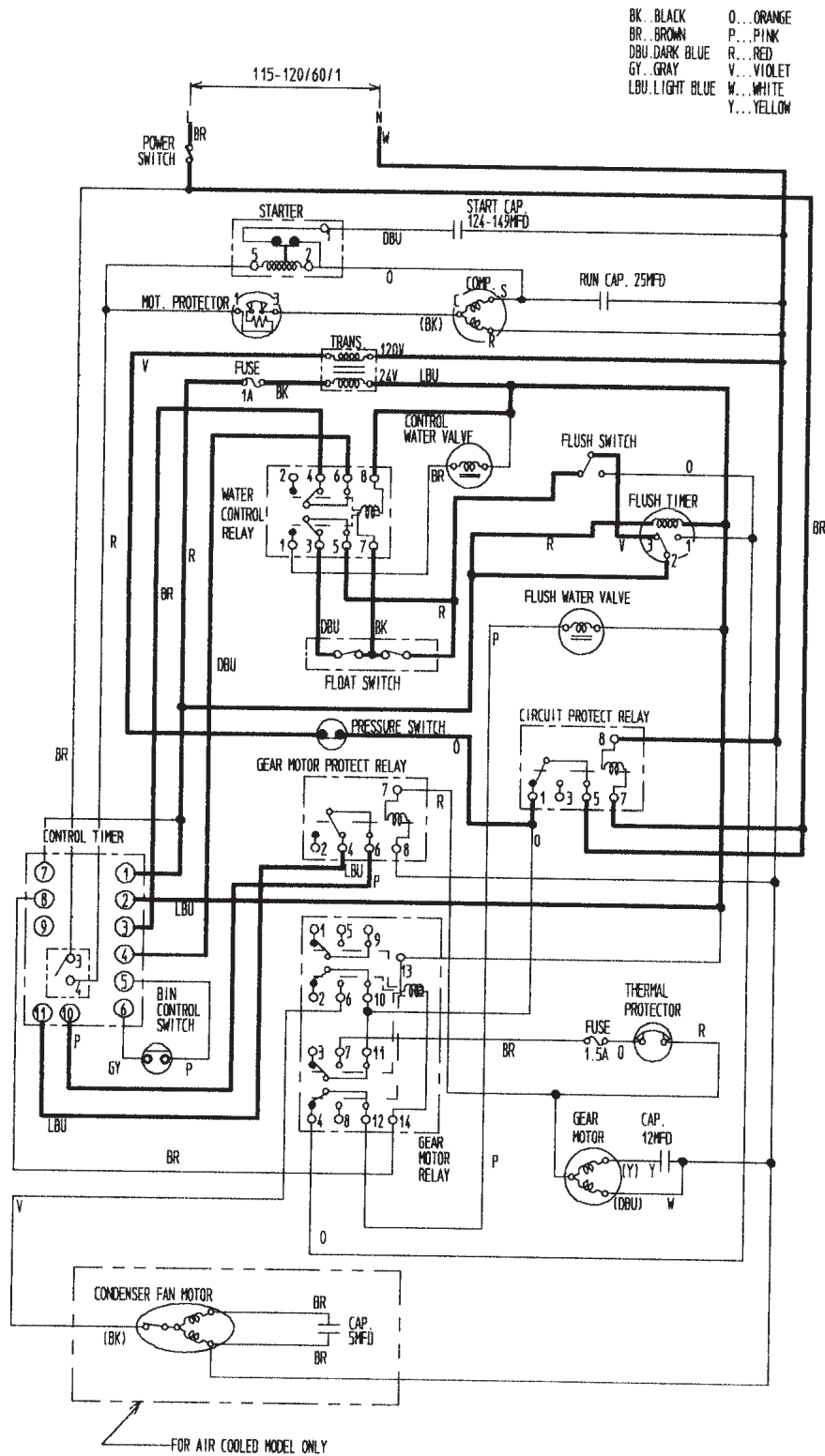


[c] Compressor starts about 60 sec. after gear motor starts.

- | | |
|-----------------|------------|
| BK. BLACK | O...ORANGE |
| BR. BROWN | P...PINK |
| DBU. DARK BLUE | R...RED |
| GY. GRAY | V...VIOLET |
| LBU. LIGHT BLUE | W...WHITE |
| | Y...YELLOW |

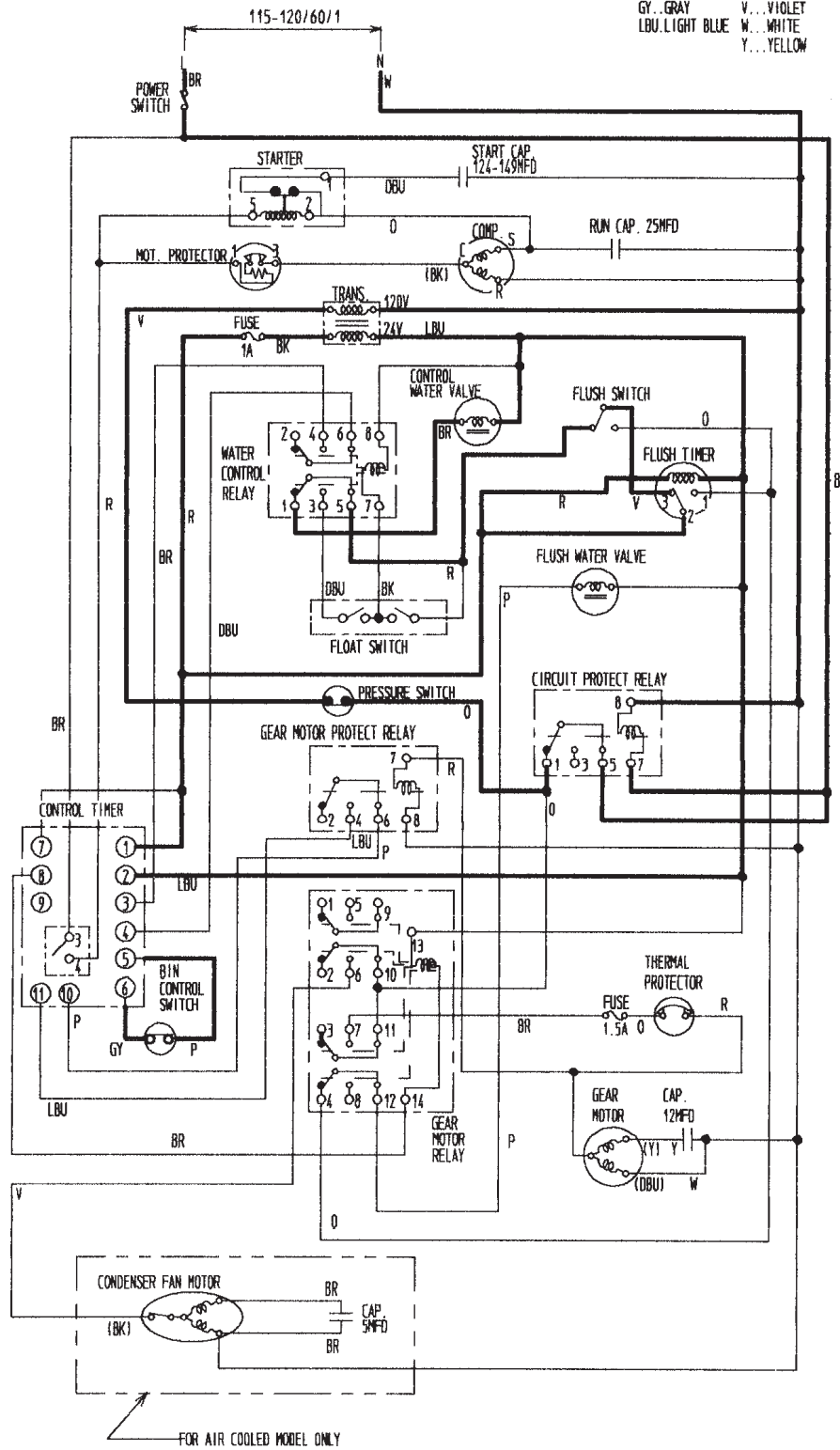


[d] Bin control operates, and about 6 sec. later, compressor and gear motor stop simultaneously.



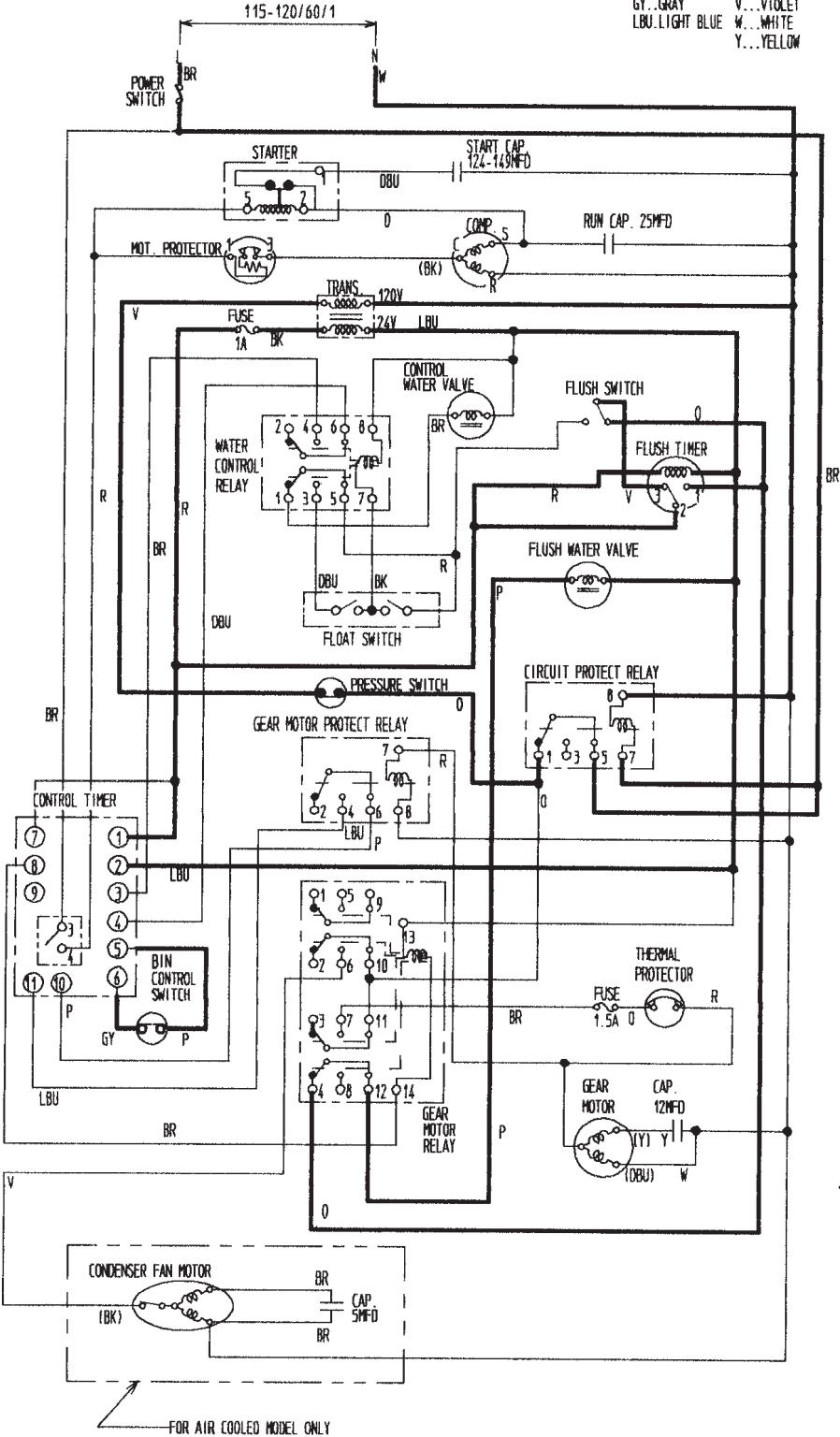
[e] Low water (except water-cooled model).

BK...BLACK
BR...BROWN
DBU...DARK BLUE
GY...GRAY
LBU...LIGHT BLUE
O...ORANGE
P...PINK
R...RED
V...VIOLET
W...WHITE
Y...YELLOW

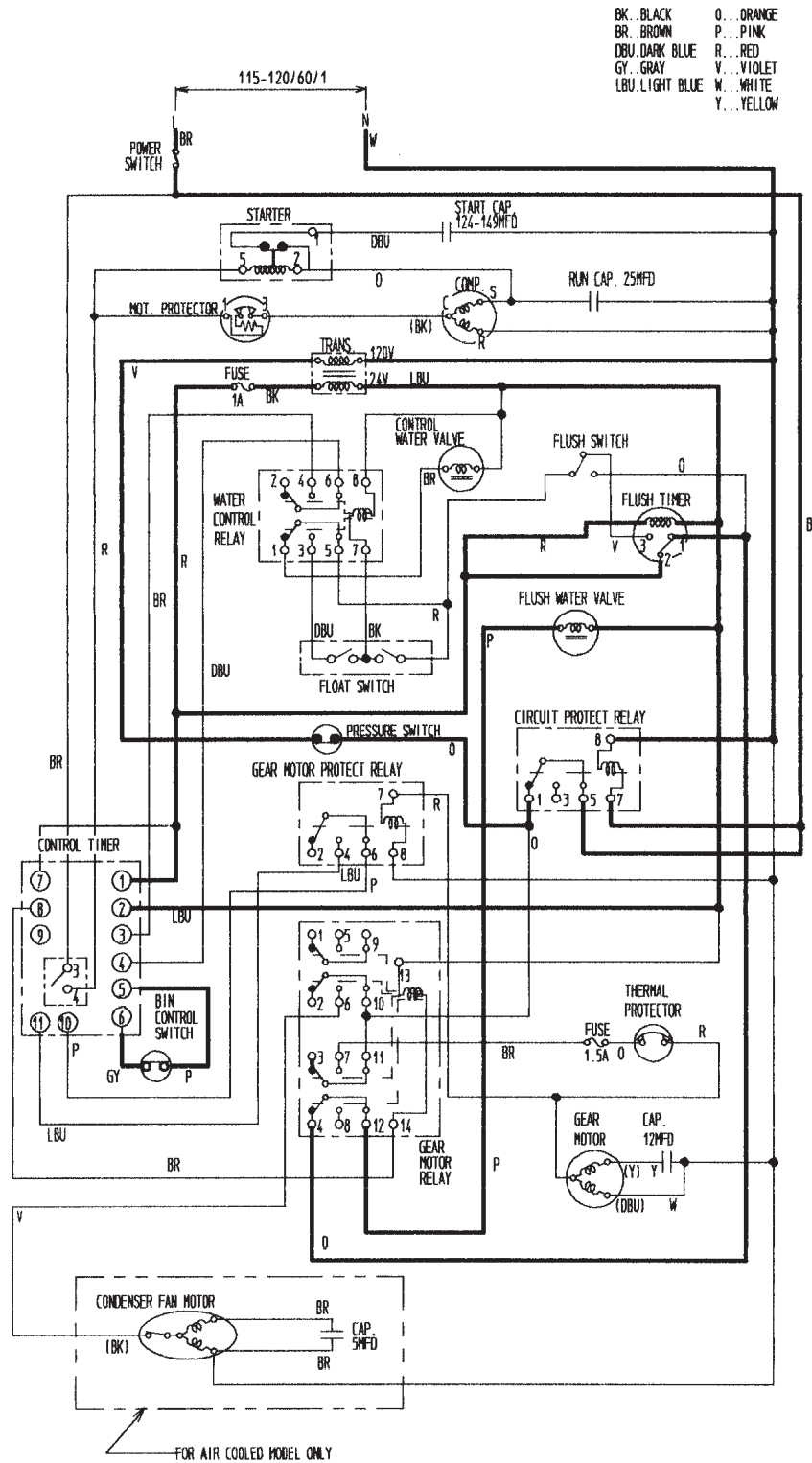


[f] When flush switch is moved to "FLUSH" position, flush water valve opens and flushes reservoir and evaporator.

- BK...BLACK
- BR...BROWN
- DBU...DARK BLUE
- GY...GRAY
- LBU...LIGHT BLUE
- O...ORANGE
- P...PINK
- R...RED
- V...VIOLET
- W...WHITE
- Y...YELLOW

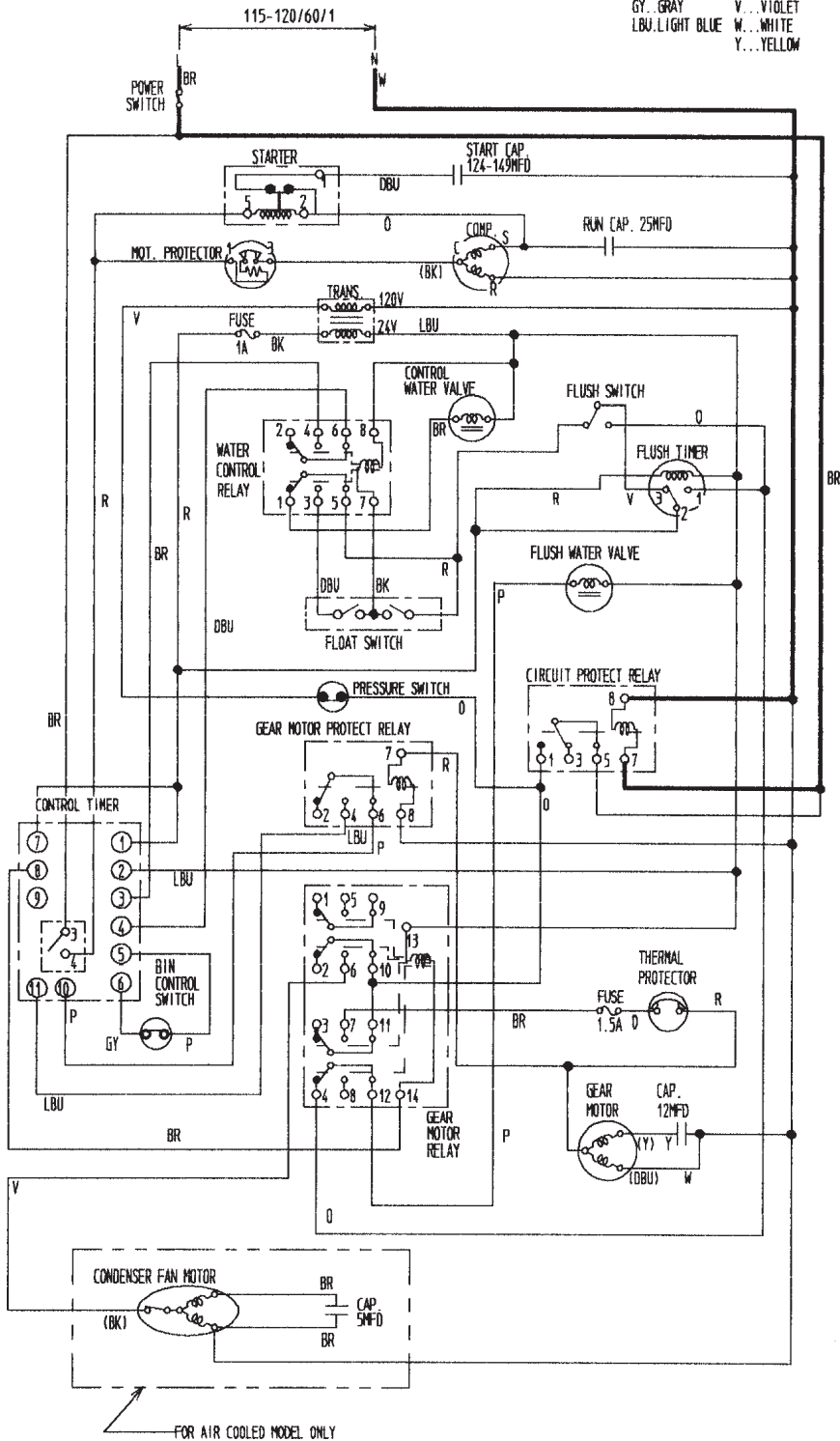


[g] When flush timer operates (for 21 min. every 12 hours), flush water valve opens and flushes reservoir and evaporator.



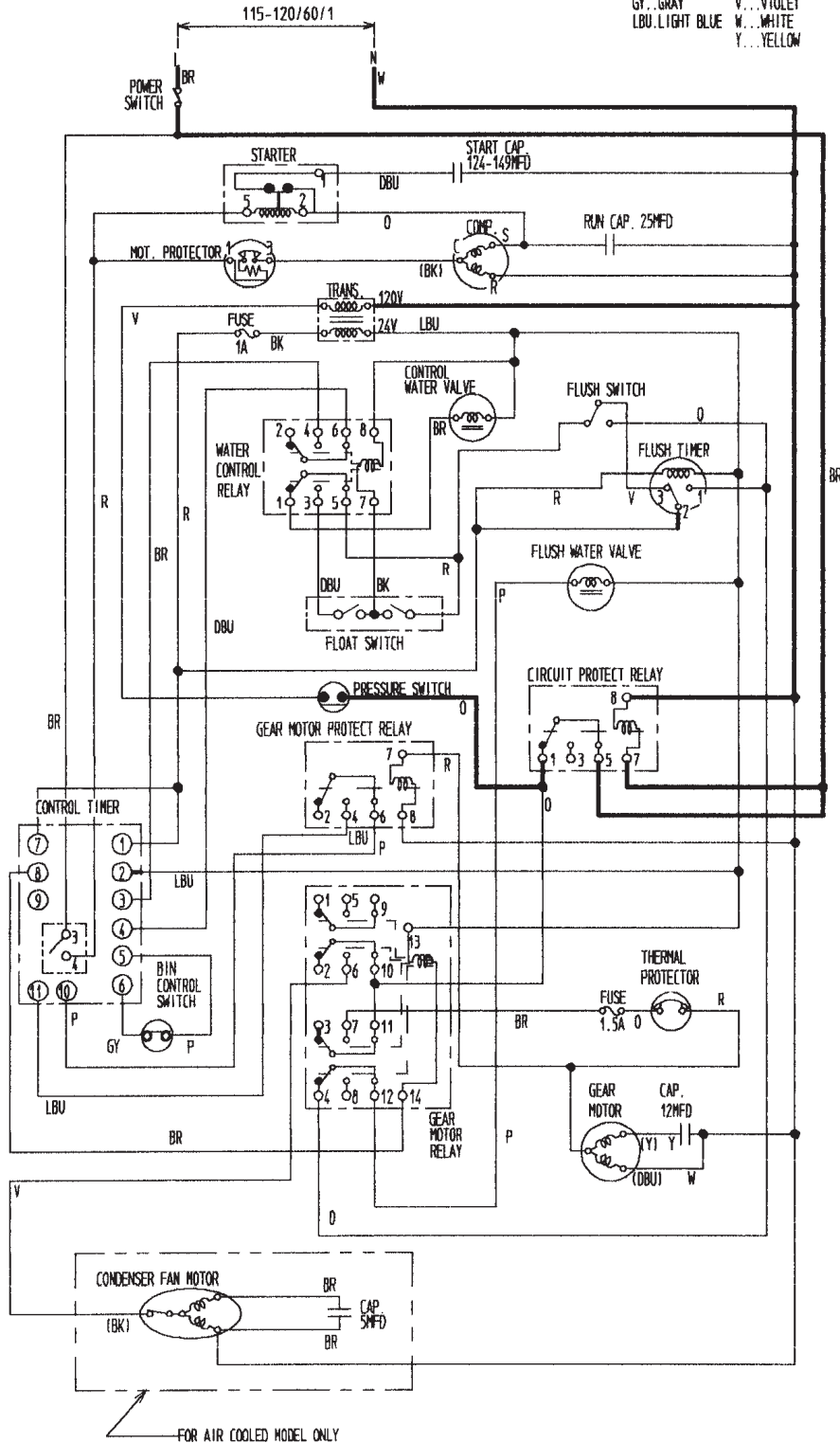
[h] When 208-230V are supplied to circuit protect relay, it protects the circuit from being miswired. If the power supply is properly connected, the contact of circuit protect relay does not move even when the coil is energized.

- | | |
|-----------------|------------|
| BK..BLACK | O...ORANGE |
| BR..BROWN | P...PINK |
| DBU..DARK BLUE | R...RED |
| GY..GRAY | V...VIOLET |
| LBU..LIGHT BLUE | W...WHITE |
| | Y...YELLOW |



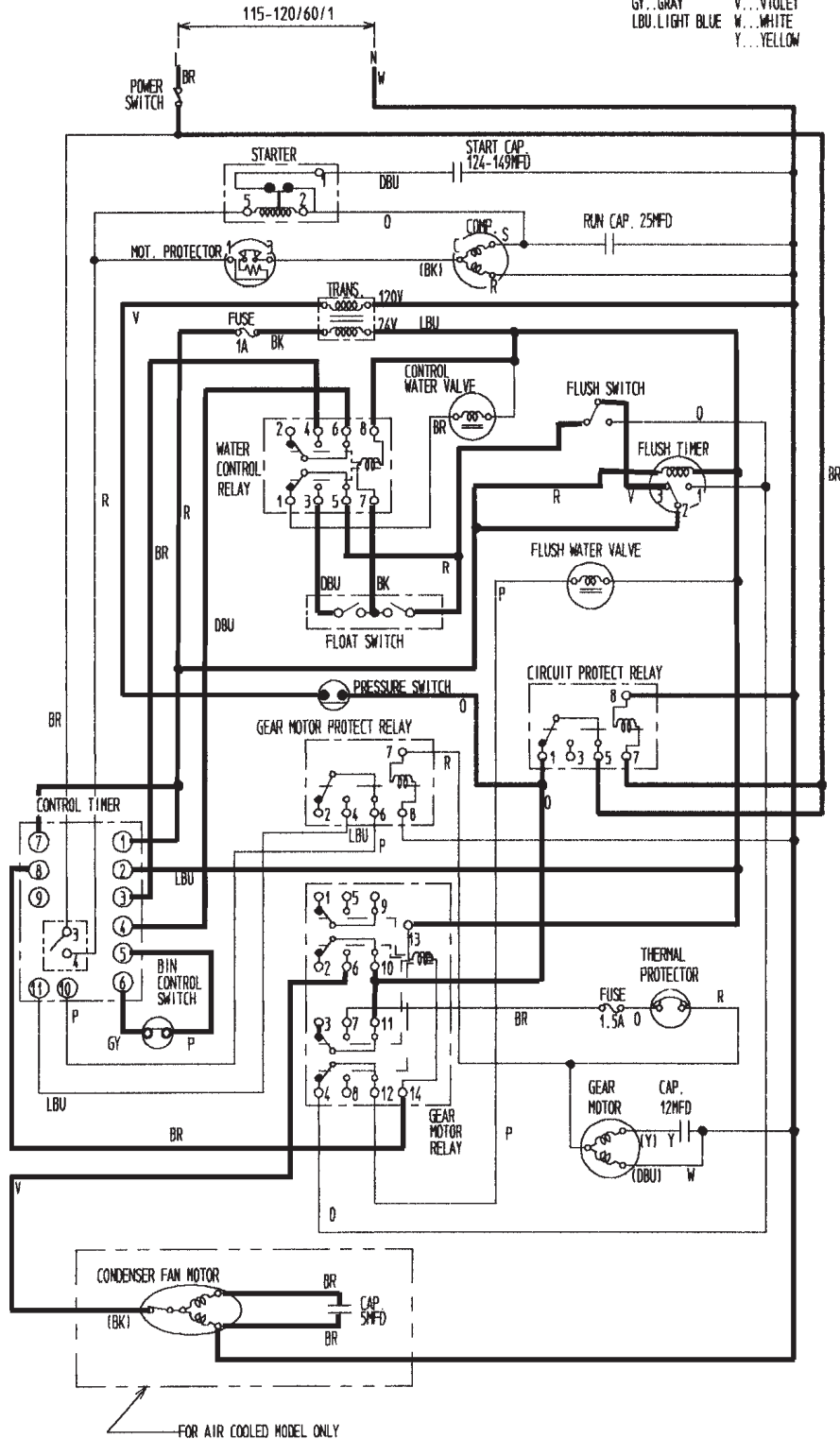
[i] When pressure switch opens, power supply to the control board is cut off causing the compressor and gear motor to turn off immediately.

BK...BLACK
 BR...BROWN
 DBU...DARK BLUE
 GY...GRAY
 LBU...LIGHT BLUE
 O...ORANGE
 P...PINK
 R...RED
 V...VIOLET
 W...WHITE
 Y...YELLOW

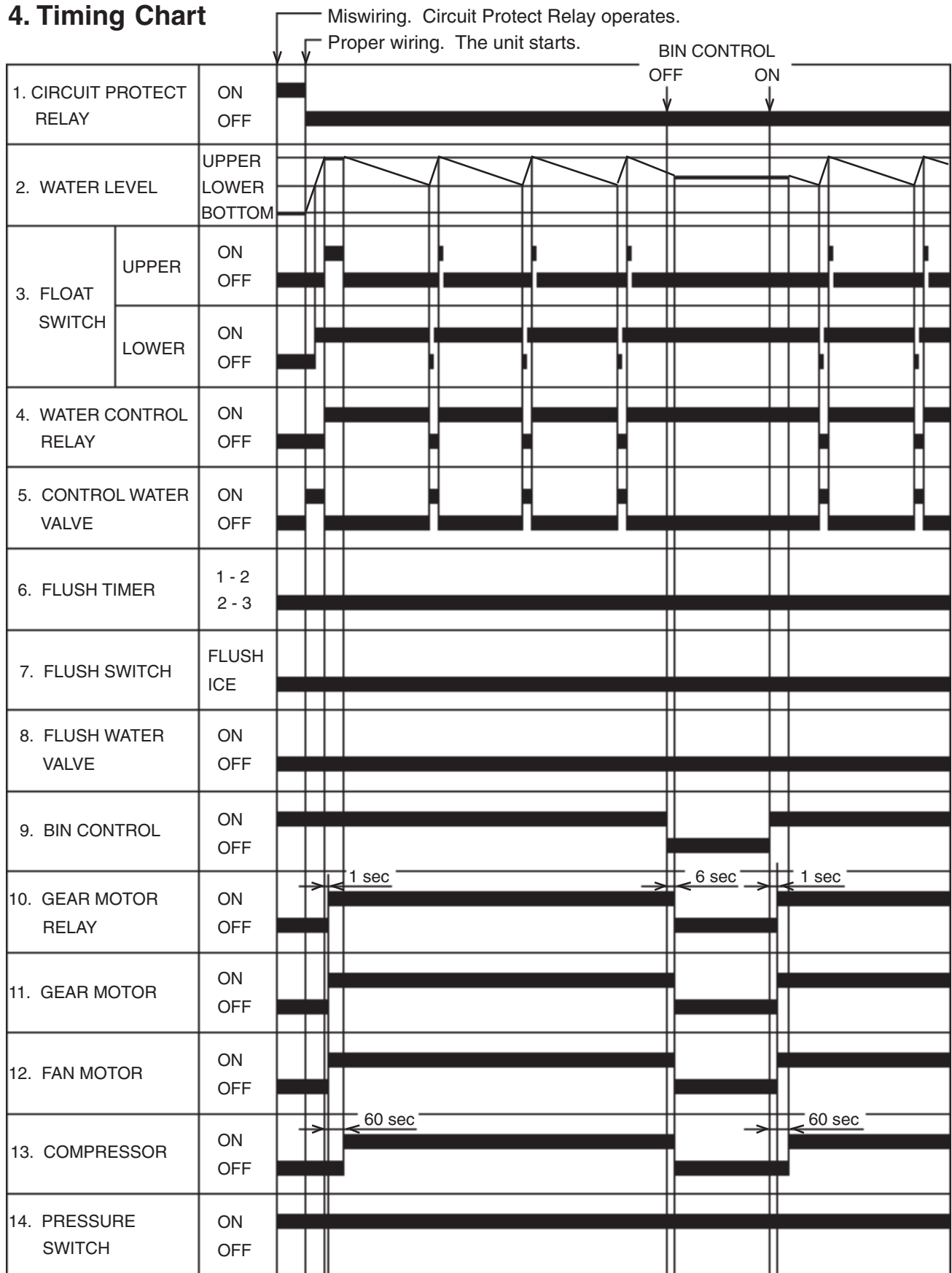


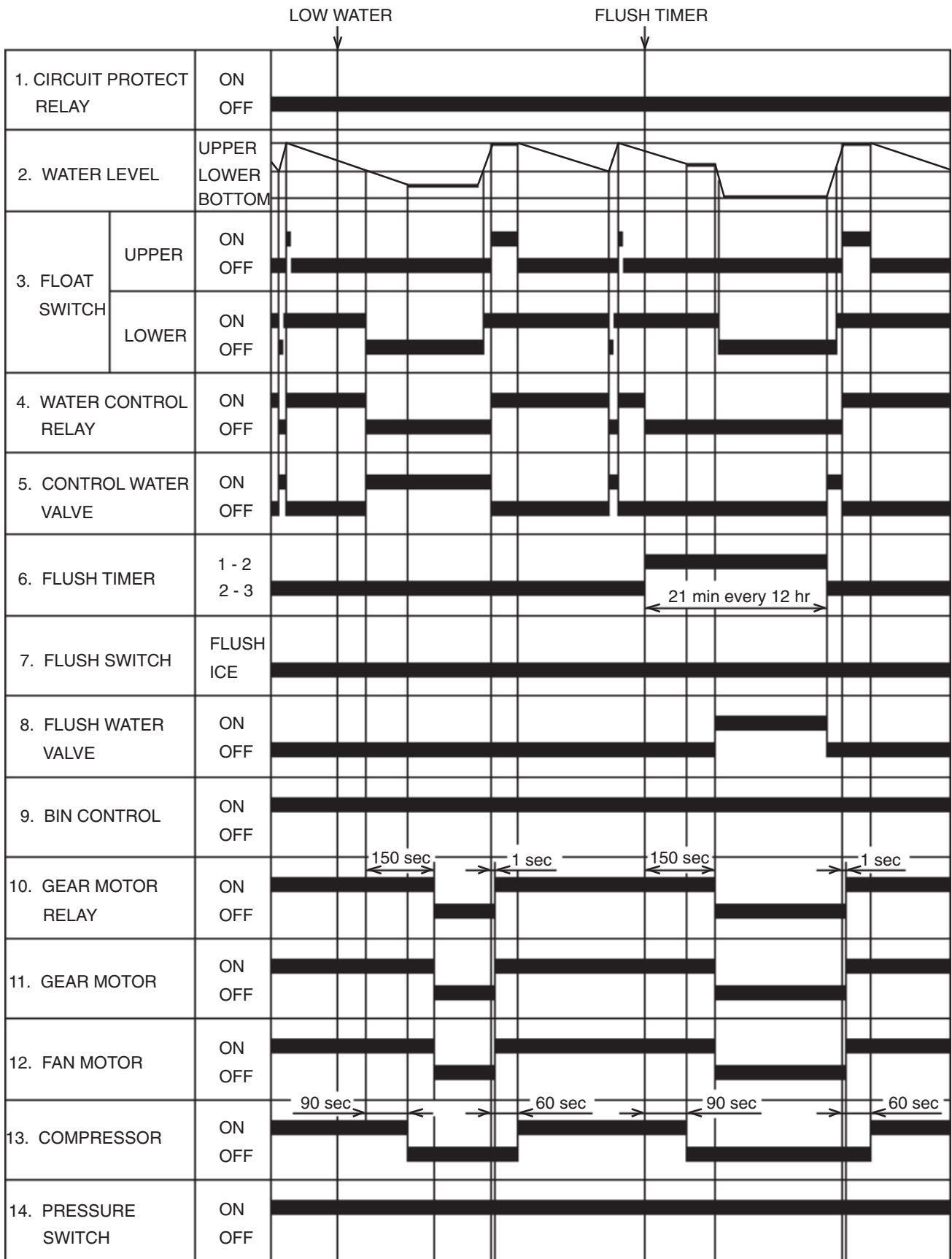
[j] When input voltage is too low (less than 70%) gear motor fuse (1.5A) is blown causing compressor and gear motor to turn off immediately.

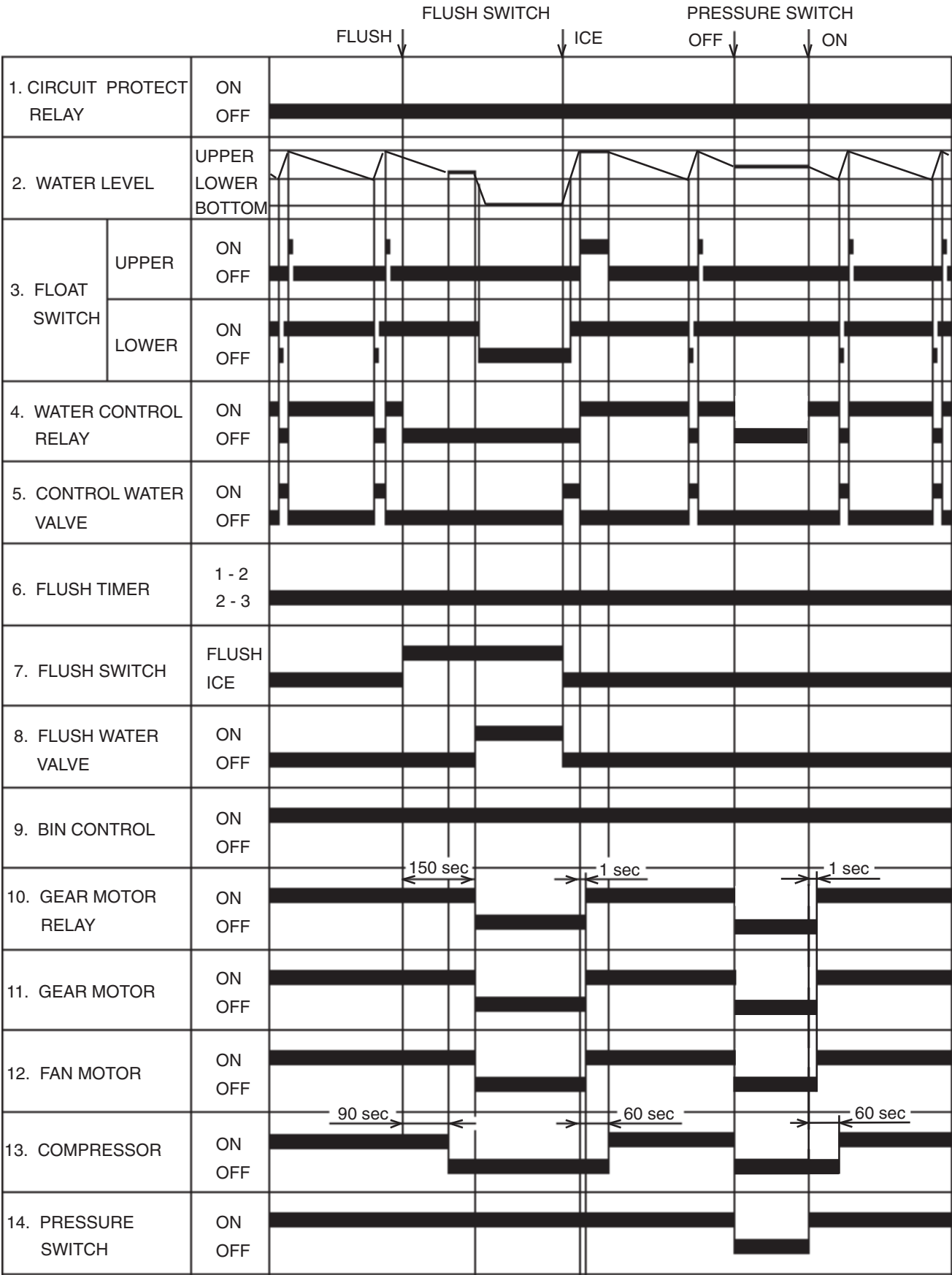
- BK. BLACK
- BR. BROWN
- DBU. DARK BLUE
- GY. GRAY
- LBU. LIGHT BLUE
- O. ORANGE
- P. PINK
- R. RED
- V. VIOLET
- W. WHITE
- Y. YELLOW



4. Timing Chart







5. Performance Data

[a] F-450MAH

APPROXIMATE ICE PRODUCTION PER 24 HR.	Ambient Temp. (°F)	Water Temp. (°F)					
		50		70		90	
	70	484	<u>220</u>	462	<u>209</u>	442	<u>201</u>
	80	424	<u>192</u>	406	<u>184</u>	389	<u>176</u>
	90	372	<u>169</u>	362	<u>164</u>	341	<u>155</u>
lbs./day <u>kg/day</u>	100	327	<u>148</u>	313	<u>142</u>	294	<u>133</u>
APPROXIMATE ELECTRIC CONSUMPTION	70	879	--	885	--	890	--
	80	896	--	901	--	907	--
	90	912	--	918	--	928	--
	watts	100	937	--	947	--	956
APPROXIMATE WATER CONSUMPTION PER 24 HR.	70	0	<u>0</u>	58	<u>220</u>	55	<u>209</u>
	80	53	<u>201</u>	51	<u>192</u>	49	<u>184</u>
	90	47	<u>176</u>	45	<u>169</u>	43	<u>164</u>
	gal./day <u>l/day</u>	100	41	<u>155</u>	39	<u>148</u>	38
EVAPORATOR OUTLET TEMP	70	3	<u>-16</u>	3	<u>-16</u>	3	<u>-16</u>
	80	3	<u>-16</u>	7	<u>-14</u>	7	<u>-14</u>
	90	7	<u>-14</u>	7	<u>-14</u>	9	<u>-13</u>
	°F <u>°C</u>	100	9	<u>-13</u>	9	<u>-13</u>	9
HEAD PRESSURE	70	225	<u>15.8</u>	225	<u>15.8</u>	225	<u>15.8</u>
	80	256	<u>18.0</u>	256	<u>18.0</u>	256	<u>18.0</u>
	90	286	<u>20.1</u>	286	<u>20.1</u>	286	<u>20.1</u>
	PSIG <u>kg/cm²G</u>	100	324	<u>22.8</u>	324	<u>22.8</u>	324
SUCTION PRESSURE	70	28	<u>2.0</u>	28	<u>2.0</u>	28	<u>2.0</u>
	80	31	<u>2.1</u>	31	<u>2.1</u>	31	<u>2.1</u>
	90	33	<u>2.3</u>	33	<u>2.3</u>	33	<u>2.3</u>
	PSIG <u>kg/cm²G</u>	100	37	<u>2.6</u>	37	<u>2.6</u>	37
TOTAL HEAT OF REJECTION 4724 BTU/h (AT 90°F /WT 70°F)							

We reserve the right to make changes in specifications and design without prior notice.

[b] F-450MAH-C

APPROXIMATE ICE PRODUCTION PER 24 HR.	Ambient Temp. (°F)	Water Temp. (°F)					
		50		70		90	
	70	430	<u>195</u>	410	<u>185</u>	395	<u>180</u>
	80	380	<u>170</u>	365	<u>165</u>	350	<u>160</u>
	90	135	<u>150</u>	325	<u>150</u>	310	<u>140</u>
lbs./day <u>kg/day</u>	100	300	<u>135</u>	290	<u>130</u>	270	<u>120</u>
APPROXIMATE ELECTRIC CONSUMPTION	70	883	--	891	--	898	--
	80	906	--	913	--	921	--
	90	928	--	936	--	944	--
	watts	100	953	--	961	--	964
APPROXIMATE WATER CONSUMPTION PER 24 HR.	70	52	<u>195</u>	49	<u>185</u>	47	<u>180</u>
	80	46	<u>170</u>	44	<u>165</u>	42	<u>160</u>
	90	16	<u>150</u>	39	<u>150</u>	37	<u>140</u>
	gal./day <u>l/day</u>	100	36	<u>135</u>	35	<u>130</u>	32
EVAPORATOR OUTLET TEMP	70	3	<u>-16</u>	3	<u>-16</u>	3	<u>-16</u>
	80	3	<u>-16</u>	9	<u>-13</u>	9	<u>-13</u>
	90	9	<u>-13</u>	9	<u>-13</u>	12	<u>-11</u>
	°F <u>°C</u>	100	12	<u>-11</u>	12	<u>-11</u>	123
HEAD PRESSURE	70	225	<u>15.8</u>	225	<u>15.8</u>	225	<u>15.8</u>
	80	257	<u>18.1</u>	257	<u>18.1</u>	257	<u>18.1</u>
	90	289	<u>20.3</u>	289	<u>20.3</u>	289	<u>20.3</u>
	PSIG <u>kg/cm²G</u>	100	325	<u>22.8</u>	325	<u>22.8</u>	325
SUCTION PRESSURE	70	28	<u>2</u>	28	<u>2</u>	28	<u>2</u>
	80	31	<u>2.2</u>	2	<u>2.2</u>	31	<u>2.2</u>
	90	34	<u>2.4</u>	2.2	<u>2.4</u>	34	<u>2.4</u>
	PSIG <u>kg/cm²G</u>	100	37	<u>2.6</u>	37	<u>2.6</u>	37
TOTAL HEAT OF REJECTION 5150 BTU/h (AT 90°F /WT 70°F)							

We reserve the right to make changes in specifications and design without prior notice.

IV. Service Diagnosis

1. No Ice Production

PROBLEM	POSSIBLE CAUSE	REMEDY	
[1] The icemaker will not start.	a) Power Supply	1. OFF position.	1. Move to ON position.
		2. Loose connection.	2. Tighten.
		3. Bad contacts.	3. Check for continuity and replace.
		4. Blown fuse.	4. Replace.
	b) Power Switch (Control Box)	1. Off position.	1. Move to ON position.
		2. Bad contacts.	2. Check for continuity and replace.
	c) Fuse (Control Box)	1. Blown out.	1. Check for short circuit and replace.
	d) Circuit Protect Relay	1. Miswiring.	1. Check power supply voltage and wire properly.
	e) Flush Timer	1. Flushing out.	1. Wait for 21 minutes.
		2. Bad contacts.	2. Check for continuity and replace.
	f) Flush Switch	1. FLUSH position.	1. Move to ICE position.
		2. Bad contacts.	2. Check for continuity and replace.
	g) Transformer	1. Coil winding opened.	1. Replace.
h) Control Water Valve	1. Coil winding opened.	1. Replace.	
i) Shut-off Valve	1. Closed.	1. Open.	
	2. Water failure.	2. Wait till water is supplied.	
j) Plug and Receptacle (Control Box)	1. Disconnected.	1. Connect.	
	2. Terminal out of Plug or Receptacle.	2. Insert Terminal back in position	
[2] Water does not stop, and the icemaker will not start	a) Water Control Relay	1. Contacts fused.	1. Replace.
		2. Coil winding opened.	2. Replace.
	b) Float Switch	1. Bad contacts.	1. Check for continuity and replace.
		2. Float does not move freely.	2. Clean or replace.
	c) Flush Water Valve	1. Valve seat clogged and water leaking.	1. Clean or replace
d) Hoses	1. Disconnected.	1. Connect.	
[3] Water has been supplied, but the icemaker will not start.	a) Water Control Relay	1. Bad contacts.	1. Check for continuity and replace.
	b) Bin Control	1. Bad contacts.	1. Check for continuity and replace.
		2. Activator does not move freely.	2. Clean Axle and its corresponding holes or replace Bin Control.

PROBLEM	POSSIBLE CAUSE		REMEDY
	c) Gear Motor Relay	1. Coil winding opened.	1. Replace.
		2. Bad contacts.	2. Check for continuity and replace.
	d) Control Timer (Printed Circuit Board)	1. Broken.	1. Replace.
	e) Gear Motor Protect Relay	1. Coil winding opened.	1. Replace.
		2. Bad contacts.	2. Check for continuity and replace.
	[4] Water has been supplied. Fan Motor starts, but Compressor and Gear Motor will not start.	a) Gear Motor Fuse (Bussman GMD 1.5A)	1. Blown Fuse.
b) Thermal Protector (Gear Motor)		2. Bad contacts.	2. Check for continuity and replace.
[5] Gear Motor starts, but Compressor will not start or operates intermittently	a) X2 Relay on Control Timer	1. Bad contacts.	1. Check for continuity and replace.
		2. Coil winding opened.	2. Replace Timer.
	b) Starter	1. Bad contacts.	1. Check for continuity and replace.
		2. Coil winding opened.	2. Replace.
		3. Loose connections.	3. Tighten.
	c) Start Capacitor or Run Capacitor	1. Defective.	1. Replace.
	d) Compressor	1. Loose connections.	1. Tighten.
		2. Motor winding opened or grounded.	2. Replace.
		3. Motor Protector tripped.	3. Find out the cause of overheat or overcurrent.
	e) Power Supply	1. Circuit Ampacity too low.	1. Install a larger-sized conductor.
[6] Gear Motor and Compressor start, but operate intermittently	a) Pressure Switch	1. Dirty Air Filter or Condenser.	1. Clean.
		2. Ambient temperature too warm.	2. Get cooler.
		3. Fan not rotating.	3. See "3. [1] a) Fan Motor."
		4. Refrigerant overcharged.	4. Recharge.
		5. Refrigerant line or components plugged.	5. Clean and replace drier.
		6. Bad contacts.	6. Check for continuity and replace.
		7. Loose connections.	7. Tighten.

PROBLEM	POSSIBLE CAUSE		REMEDY
[7] Gear Motor and Compressor start but no ice is produced.	a) Refrigerant Line	1. Gas leaks.	1. Check for leaks with a leak detector. Reweld leak, replace drier and charge with refrigerant. The amount of refrigerant is marked on Nameplate or Label.
		2. Refrigerant line clogged.	2. Replace the clogged component.
	b) Shut-off Valves on Condensing Unit	1. Closed.	1. Open.

2. Low Ice Production

PROBLEM	POSSIBLE CAUSE		REMEDY
[1] Low ice production	a) Refrigerant Line	1. Gas leaks.	1. See "1. [5] a) Refrigerant Line."
		2. Refrigerant line clogged.	2. Replace the clogged component.
		3. Overcharged.	3. Recharge.
	b) High-side Pressure Too High	1. Dirty Air Filter or Condenser.	1. Clean.
		2. Ambient temperature too warm.	2. Get cooler.
		3. Fan rotating too slow.	3. See "3 [1] a) Fan Motor."
		4. Condensing unit out of order.	4. Check condensing unit.
	c) Expansion Valve (not adjustable)	1. Low-side pressure too low.	1. Replace.
		2. Low-side pressure too high.	2. See if Expansion Valve Bulb is mounted properly, and replace the valve if necessary.

3. Other

PROBLEM	POSSIBLE CAUSE		REMEDY
[1] Abnormal noise	a) Fan Motor	1. Bearing worn out.	1. Replace.
		2. Fan blade deformed.	2. Replace fan blade.
		3. Fan blade does not move freely.	3. Replace.
	b) Compressor	1. Bearings worn out, or cylinder valve broken.	1. Replace.
		2. Mounting pad out of position.	2. Reinstall.
	c) Refrigerant Lines	1. Rub or touch lines or other surfaces.	1. Replace.
d) Gear Motor (Ice Making)	1. Bearing or Gear worn out / damaged.	1. Replace.	
e) Evaporator	1. Low-side pressure too low.	1. See if Expansion Valve Bulb is mounted properly, and replace the valve if necessary.	
	2. Scale on inside wall of Freezing Cylinder.	2. Remove Auger. Use "SCALE AWAY" or "LIME-A-WAY" solution to clean periodically. If the water is found hard by testing, install a softener.	
[2] Overflow from Reservoir (Water does not stop.)	a) Water Supply	1. Water pressure too high.	1. Install a pressure Reducing Valve
	b) Control Water Valve	1. Diaphragm does not close.	1. Clean or replace.
	c) Float Switch	1. Bad contacts.	1. Check for continuity and replace.
[3] Gear Motor Fuse blows or circuit breaker trips frequently	a) Power Supply Voltage	1. Too high or too low.	1. Connect the unit to a power supply of proper voltage.
	b) Evaporator Assy	1. Bearings or Auger worn out.	1. Replace Bearing or Auger.
	c) Bin Control	1. Bad contacts.	1. Check for continuity and replace.
		2. Activator does not move freely.	2. Clean Axle and its corresponding holes or replace Bin Control.

V. Removal and Replacement of Components

IMPORTANT

1. The Polyol Ester (POE) oils used in R-404A units can absorb moisture quickly. Therefore it is important to prevent moisture from entering the system when replacing or servicing parts.
2. Always install a new filter drier every time the sealed refrigeration system is opened.
3. Do not leave the system open for longer than 15 minutes when replacing or servicing parts.

1. Service for Refrigerant Lines

[a] Refrigerant Recovery

The icemaker unit is provided with two refrigerant access valves - one on the low-side and one on the high-side line. Using proper refrigerant practices recover the refrigerant from the access valves and store it in an approved container. Do not discharge the refrigerant into the atmosphere.

[b] Evacuation and Recharge [R-404A]

- 1) Attach charging hoses, a service manifold and a vacuum pump to the system. Be sure to connect charging hoses to both high-side and low-side access valves.

IMPORTANT

The vacuum level and vacuum pump may be the same as those for current refrigerants. However, the rubber hose and gauge manifold to be used for evacuation and refrigerant charge should be exclusively for POE oils.

- 2) Turn on the vacuum pump. Never allow the oil in the vacuum pump to flow backward.
- 3) Allow the vacuum pump to pull down to a 29.9" Hg vacuum. Evacuating period depends on pump capacity.
- 4) Close the low-side valve and high-side valve on the service manifold.
- 5) Disconnect the vacuum pump, and attach a refrigerant service cylinder to the high-side line. Remember to loosen the connection, and purge the air from the hose. See the nameplate for the required refrigerant charge. Hoshizaki recommends only virgin refrigerant or reclaimed refrigerant which meets ARI Standard No. 700-88 be used.

- 6) A liquid charge is recommended for charging an R-404A system. Invert the service cylinder. Open the high-side, service manifold valve.
- 7) Allow the system to charge with liquid until the pressures balance.
- 8) If necessary, add any remaining charge to the system through the low-side. Use a throttling valve or liquid dispensing device to add the remaining liquid charge through the low-side access port with the unit running.
- 9) Close the two refrigerant access valves, and disconnect the hoses and service manifold.
- 10) Cap the access valves to prevent a possible leak.

2. Brazing

WARNING

1. Refrigerant R-404A itself is not flammable at atmospheric pressure and temperatures up to 176°F.
2. Refrigerant R-404A itself is not explosive or poisonous. However, when exposed to high temperatures (open flames) R-404A can be decomposed to form hydrofluoric acid and carbonyl fluoride both of which are hazardous.
3. Always recover the refrigerant and store it in an approved container. Do not discharge the refrigerant into the atmosphere.
4. Do not use silver alloy or copper alloy containing arsenic.
5. Do not use R-404A as a mixture with pressurized air for leak testing. Refrigerant leaks can be detected by charging the unit with a little refrigerant, raising the pressure with nitrogen and using an electronic leak detector.

Note: All brazing-connections are clear-paint coated. Sandpaper the brazing-connections before unbrazing the components. Use a good abrasive cloth to remove coating.

3. Removal and Replacement of Compressor

IMPORTANT

Always install a new drier every time the sealed refrigeration system is opened. Do not replace the drier until after all other repair or replacement has been made.

- 1) Unplug the icemaker.
- 2) Remove the panels.
- 2) Remove the terminal cover on the compressor, and disconnect the compressor wiring.
- 3) Recover the refrigerant and store it in an approved container, if required by an applicable law.
- 4) Remove the discharge, suction, and access pipes from the compressor using brazing equipment.

WARNING

When repairing a refrigerant system, be careful not to let the burner flame contact any electrical wires or insulation.

- 5) Remove the bolts and rubber grommets.
- 6) Slide and remove the compressor. Unpack the new compressor package. Install the new compressor.
- 7) Attach the rubber grommets of the prior compressor.
- 8) Sandpaper the discharge, suction and access pipes.
- 9) Place the compressor in position, and secure it using the bolts.
- 10) Remove plugs from the discharge, suction and access pipes.
- 11) Braze the access, suction and discharge lines (Do not change this order), while purging with nitrogen gas flowing at the pressure of 3-4 PSIG.
- 12) Install the new drier.

- 13) Check for leaks using nitrogen gas (140 PSIG) and soap bubbles.
- 14) Evacuate the system, and charge it with refrigerant. See the nameplate for the required refrigerant charge and type.
- 15) Connect the terminals to the compressor, and replace the terminal cover in its correct position.
- 16) Replace the panels in their correct position.
- 17) Plug in the icemaker.

4. Removal and Replacement of Drier

IMPORTANT

Always install a new drier every time the sealed refrigeration system is opened. Do not replace the drier until after all other repair or replacement has been made.

- 1) Unplug the icemaker.
- 2) Remove the panels.
- 3) Recover the refrigerant and store it in an approved container, if required by an applicable law.
- 4) Remove the drier using brazing equipment.
- 5) Install the new drier with the arrow on the drier in the direction of the refrigerant flow. Use nitrogen gas at the pressure of 3-4 PSIG when brazing the tubings.
- 6) Check for leaks using nitrogen gas (140 PSIG) and soap bubbles.
- 7) Evacuate the system, and charge it with refrigerant. See the nameplate for the required refrigerant charge and type.
- 8) Replace the panels in their correct position.
- 9) Plug in the icemaker.

5. Removal and Replacement of Expansion Valve

IMPORTANT

Sometimes moisture in the refrigerant circuit exceeds the drier capacity and freezes up at the expansion valve. Always install a new drier every time the sealed refrigeration system is opened. Do not replace the drier until after all other repairs or replacement have been made.

- 1) Unplug the icemaker.
- 2) Remove the panels.
- 3) Recover the refrigerant and store it in an approved container, if required by an applicable law.
- 4) Remove the expansion valve bulb at the evaporator outlet.
- 5) Remove the expansion valve cover, and remove the expansion valve using brazing equipment.
- 6) Braze the new expansion valve with nitrogen gas flowing at the pressure of 3-4 PSIG.

WARNING

Always protect the valve body by using a damp cloth to prevent the valve from overheating. Do not braze with the valve body exceeding 250°F.

- 7) Install the new drier.
- 8) Check for leaks using nitrogen gas (140 PSIG) and soap bubbles.
- 9) Evacuate the system. Charge it with refrigerant. See the nameplate for the required refrigerant charge and type.
- 10) Attach the bulb to the suction line. Be sure to secure the bulb using a band and to insulate it.
- 11) Place the expansion valve cover in position.
- 12) Replace the panels in their correct position.
- 13) Plug in the icemaker.

6. Removal and Replacement of Evaporator Assembly

- 1) Drain the water from the evaporator by switching the flush switch to “FLUSH” on the control box.
- 2) Unplug the icemaker.
- 3) Remove the panels.
- 4) Remove the three thumbscrews and take off the spout from the evaporator.

Cutter

- 5) Loosen the cutter by a wrench and remove it.
- 6) Remove the cylinder gasket at the top of the evaporator.

Extruding Head

- 7) Remove the three socket head cap screws and lift off the extruding head.
- 8) Replace the bearing inside the extruding head if it exceeds the wear tolerance of 0.02” or is scratched.

Note: Replacing the bearing requires a bearing press adaptor. If it is not available, replace the whole extruding head.

Auger

- 9) Lift out the auger. If the area in contact with the bearing is worn or the blade is scratched, replace the auger.

Evaporator

Note: Skip the following steps 10) through 12) when the evaporator does not need replacement.

- 10) Recover the refrigerant and store it in an approved container, if required by an applicable law.

IMPORTANT

Always install a new drier every time the sealed refrigeration system is opened. Do not replace the drier until after all other repair or replacement has been made.

- 11) Remove the bulb of the expansion valve.
- 12) Disconnect the brazing-connections of the expansion valve and the copper tube-low side from the evaporator, using brazing equipment.
- 13) Remove the two truss head machine screws and the bracket securing the evaporator.
- 14) Disconnect the three hoses from the evaporator.
- 15) Remove the four socket head cap screws securing the evaporator with the bearing-lower.
- 16) Lift off the evaporator.

Bearing-Lower and Mechanical Seal

- 17) The mechanical seal consists of two parts. One moves along with the auger, and the other is fixed on the bearing-lower. If the contact surfaces of these two parts are worn or scratched, the mechanical seal may cause water leaks and should be replaced.
- 18) Remove the O-ring on the bearing-lower.
- 19) Remove the four bolts and the bearing-lower from the gear motor. Replace the bearing inside the bearing-lower, if it exceeds the wear tolerance of 0.02" or is scratched.

Note: Replacing the bearing requires a bearing press adaptor. If it is not available, replace the whole bearing-lower.

Gear Motor

- 20) Remove the coupling-spline on the gear motor shaft.
- 21) Remove the three bolts securing the gear motor.
- 22) Assemble the removed parts in the reverse order of the above procedure.

WARNING

Be careful not to scratch the surface of the O-ring, or it may cause water leaks. Handle the mechanical seal with care not to scratch nor to contaminate its contact surface.

23) When replacing the evaporator:

- (a) Braze the new evaporator with nitrogen gas flowing at the pressure of 3-4 PSIG.
- (b) Replace the drier.
- (c) Check for leaks using nitrogen gas (140 PSIG) and soap bubbles.
- (d) Evacuate the system. Charge it with refrigerant. See the nameplate for required refrigerant charge and type.

24) Replace the panels in their correct position.

25) Plug in the icemaker.

7. Removal and Replacement of Fan Motor

- 1) Unplug the icemaker.
- 2) Remove the panels.
- 3) Remove the wire connectors from the fan motor leads.
- 4) Remove the fan motor bracket and fan motor.
- 5) Install the new fan motor.
- 6) Replace the fan motor bracket and the wire connectors.
- 7) Replace the panels in their correct position
- 8) Plug in the icemaker.

8. Removal and Replacement of Control Water Valve

- 1) Unplug the icemaker.
- 2) Remove the panels.
- 3) Close the water supply line shut-off valve.
- 4) Disconnect the terminal from the control water valve.
- 5) Loosen the fitting nut on the control water valve Inlets, and remove the control water valve. Do not lose the packings inside the fitting nut.

- 6) Remove the water supply hose from the control water valve.
- 7) Install the new control water valve.
- 8) Assemble the removed parts in the reverse order of the above procedure.
- 9) Open the water supply line shut-off valve.
- 10) Check for water leaks.
- 11) Replace the panels in their correct position.
- 12) Plug in the icemaker.

9. Removal and Replacement of Flush Water Valve

- 1) Turn off the power supply.
- 2) Remove the panels.
- 3) Close the water supply line shut-off valve.
- 4) Remove the clamp and disconnect the hose from the flush water valve that attaches to the evaporator.

Note: Water may still remain inside the evaporator. Be sure to drain the water into the drain pan.

- 5) Disconnect the flush water valve from the tube connected to the plastic tee leading to the drain hose.
- 6) Disconnect the terminals from the flush water valve.
- 7) Remove the flush water valve from the frame or bracket.
- 8) Connect the new flush water valve back onto the frame or bracket.
- 9) Connect the tube from the plastic tee to the new flush water valve.
- 10) Connect the hose to the flush water valve and secure it with the clamp.
- 11) Pour water into the reservoir, and check for water leaks on the flush water valve.
- 12) Open the water supply line shut-off valve.
- 13) Turn on the power supply.

- 14) Move the flush switch to the “ICE” position.
- 15) Check for water leaks.
- 16) Move the flush switch to the “FLUSH” position, and make sure water is flushing.
- 17) Move the flush switch to the “ICE” position.
- 18) Replace the panels in their correct position.

VI. Cleaning and Maintenance

IMPORTANT

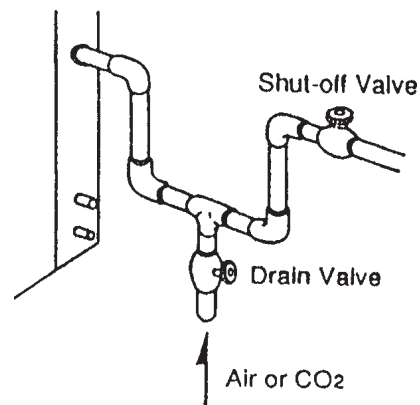
Ensure all components, fasteners and thumbscrews are securely in place after any maintenance or cleaning is done to the equipment.

1. Preparing the Icemaker for Long Storage

WARNING

When shutting off the icemaker for an extended time, drain out all water from the water line and remove the ice from the storage bin. The storage bin should be cleaned and dried. Drain the icemaker to prevent damage to the water supply line at sub-freezing temperatures, using air or carbon dioxide. Shut off the icemaker until the proper ambient temperature is resumed.

- 1) Run the icemaker with the water supply line shut-off valve closed.
- 2) Open the drain valve and blow out the water inlet line by using air pressure.
- 3) Turn off the power supply.
- 4) Remove the front panel.
- 5) Move the flush switch on the control box to the “FLUSH” position.
- 6) Turn on the power supply, and then drain out all water from the water line.
- 7) Turn off the power supply.
- 8) Turn off the power switch on the control box.



- 9) Replace the front panel in its correct position.
- 10) Close the drain valve.
- 11) Remove all ice from the storage bin, and clean the bin.

2. Cleaning and Sanitizing Instructions

WARNING

1. HOSHIZAKI recommends cleaning this unit at least twice a year. More frequent cleaning, however, may be required in some existing water conditions.
2. To prevent injury to individuals and damage to the icemaker, do not use ammonia type cleaners.
3. Always wear liquid-proof gloves to prevent the cleaning and sanitizing solutions from coming into contact with skin.

[a] Cleaning Solution

Dilute 4.8 fl. oz. (142 ml) of recommended cleaner Hoshizaki “Scale Away” or “LIME-A-WAY” (Economics Laboratory, Inc.) with 0.8 gallons (3 l) of warm water. This is a minimum amount. Make more solution if necessary.

IMPORTANT

For safety and maximum effectiveness, use the solution immediately after dilution.

[b] Cleaning Procedure

The cleaning process will remove lime deposits from the water system.

- 1) Remove the front panel and top panel, then turn off the power supply.
- 2) Close the water supply line shut-off valve.
- 3) Remove all ice from the storage bin.
- 4) Move the flush switch to the “FLUSH” position.
- 5) Turn on the power supply and drain out all water from the water line.
- 6) Turn off the power supply.
- 7) Remove the strap connecting the spout to the chute assembly.
- 8) Remove the thumbscrews securing the spout and lift it off.
- 9) Pour the cleaning solution over the extruding head until the evaporator assembly and the reservoir are filled and the solution starts to overflow into the drain pan.
Note: If there is excess scale on the extruding head, fill the evaporator assembly and reservoir as described above, then use a clamp on the reservoir hose between the reservoir and evaporator assembly to block flow. Pour additional cleaning fluid over the extruding head until the evaporator assembly is completely full.
- 10) Replace the spout and strap in their correct positions.
- 11) Allow the icemaker to sit for about 10 minutes before operation. If you placed a clamp on the reservoir hose in step 9, remove it before operation.
- 12) Move the flush switch to the “ICE” position, then turn on the power supply. Replace the top panel and front panel in their correct positions. Make ice using the solution until the icemaker stops making ice.
- 13) Remove the front panel.
- 14) Move the flush switch to the “FLUSH” position to drain the remainder of the solution.
- 15) After the solution is drained, move the flush switch to the “ICE” position.
- 16) Replace the front panel in its correct position.
- 17) Open the water supply line shut-off valve and supply water to the reservoir.
- 18) When the gear motor starts, remove the front panel and turn off the power supply.
- 19) Drain out all water from the water line. See 4) through 6).

[c] Sanitizing Solution

Dilute 2.5 fl. oz. (74 ml or 5 tbs) of IMS-II Sanitizer or a 5.25% sodium hypochlorite solution (chlorine bleach) with 5 gallons (19 l) of warm water.

IMPORTANT

For safety and maximum effectiveness, use the solution immediately after dilution.

[d] Sanitizing Procedure - Initial

The sanitizing process will sanitize the icemaker.

- 1) Close the water supply line shut-off valve.
- 2) Remove the strap connecting the spout to the chute assembly.
- 3) Remove the thumbscrews securing the spout and lift it off. Remove the rubber O-ring and nylon O-ring at the top of the cylinder and also remove the packing between the spout and the chute.
- 4) Pour the sanitizing solution over the extruding head until the evaporator assembly and the reservoir are filled and the solution starts to overflow into the drain pan.
- 5) Remove the two thumbscrews securing the proximity switch to the chute assembly.
- 6) Remove the chute assembly from the icemaker.
- 7) Remove the packing at the bottom of the ice chute.
- 8) Remove the three ties and the chute insulation.
- 9) Remove the six wing nuts and two baffles.
- 10) Remove the two thumbscrews, the plate and the packing from the top of the ice chute, then remove the bin control assembly by sliding it slightly toward the chute opening and lifting it off.
- 11) Disassemble the bin control assembly by removing the two snap pins, shaft and actuator.
- 12) Soak the removed parts in .25 gallons (1 l) of sanitizing solution for 10 minutes then wipe them down.
- 13) Rinse the parts thoroughly.

IMPORTANT

If the solution is left on these parts, they will rust.

14) Replace all parts in their correct positions.

IMPORTANT

When installing the baffles, make sure that the bent surface (the one without the studs) faces the actuator so that the bent surface can guide the ice to the center of the actuator.

15) Move the flush switch to the “ICE” position, then turn on the power supply. Replace the top panel and front panel in their correct positions. Make ice using the solution until the icemaker stops making ice.

[e] Sanitizing Procedure - Final

1) Remove the front panel and top panel, then turn off the power supply.

2) Move the flush switch to the “FLUSH” position.

3) Turn on the power supply and drain out all water from the water line.

4) Turn off the power supply.

5) Remove the strap connecting the spout to the chute assembly.

6) Remove the thumbscrews securing the spout and lift it off.

7) Pour the sanitizing solution over the extruding head until the evaporator assembly and the reservoir are filled and the solution starts to overflow into the drain pan.

8) Replace the spout and strap in their correct positions.

9) Allow the icemaker to sit for about 10 minutes before operation.

10) Move the flush switch to the “ICE” position, then turn on the power supply. Replace the top panel and front panel in their correct positions. Make ice using the solution until the icemaker stops making ice.

11) Remove the front panel.

12) Move the flush switch to the “FLUSH” position to drain the remainder of the solution.

13) After the solution is drained, move the flush switch to the “ICE” position.

14) Replace the front panel in its correct position.

15) Open the water supply line shut-off valve and supply water to the reservoir.

- 16) When the gear motor starts, remove the front panel and turn off the power supply.
- 17) Drain out all water from the water line. See 2) and 3).
- 18) Move the flush switch to the "ICE" position and run the icemaker.
- 19) Turn off the power supply after 30 minutes.
- 20) Pour warm water into the storage bin to melt all ice, and then clean the bin liner with the solution.
- 21) Flush out any solution from the storage bin.
- 22) Turn on the power supply and start the automatic icemaking process.

IMPORTANT

1. After cleaning, do not use ice made from the sanitizing solution. Be careful not to leave any solution in the storage bin.
2. Follow carefully any instructions provided with the bottles of cleaning or sanitizing solution.
3. Never run the icemaker when the reservoir is empty.

3. Maintenance Instructions

IMPORTANT

1. This icemaker must be maintained individually, referring to the instruction manual and labels provided with the icemaker.
2. To have the optimum performance of this icemaker, the following consumable parts need periodic inspection, maintenance and replacement:

- Extruding Head
- Housing
- Gear Motor
- Auger
- Mechanical Seal

These parts should be inspected at least once a year or every 10,000 hours of operation. Their service life, however, depends on water quality and environment. More frequent inspection and maintenance are recommended.

Consult with your local distributor about inspection and maintenance service. To obtain the name and phone number of your local distributor, call Hoshizaki Technical Support at 1-800-233-1940 in the USA.

1) Stainless Steel Exterior

To prevent corrosion, wipe the exterior occasionally with a clean and soft cloth. Use a damp cloth containing a neutral cleaner to wipe off oil or dirt build up.

2) Storage Bin and Scoop

- Wash your hands before removing ice. Use the plastic scoop provided (bin accessory).
- The storage bin is for ice use only. Do not store anything else in the bin.
- Keep the scoop clean. Clean using a neutral cleaner and rinse thoroughly.
- Clean the bin liner using a neutral cleaner. Rinse thoroughly after cleaning.

3) Air Filter

A plastic mesh air filter removes dirt or dust from the air, and keeps the condenser from getting clogged. As the filter gets clogged, the icemaker's performance will be reduced. Check the filter at least twice a month. When clogged, use warm water and a neutral cleaner to wash the filter.

4) Condenser

Check the condenser once a year, and clean if required by using a brush or vacuum cleaner. More frequent cleaning may be required depending on the location of the icemaker.

5) Infrared Sensor (-C model only)

The infrared sensor inside the ice chute can be accessed by opening the bin door and reaching into the chute from below the ice machine. Clean the sensor using a neutral cleaner on a clean soft cloth at least twice a month.