



Parts List

EUR48A

TABLE OF CONTENTS

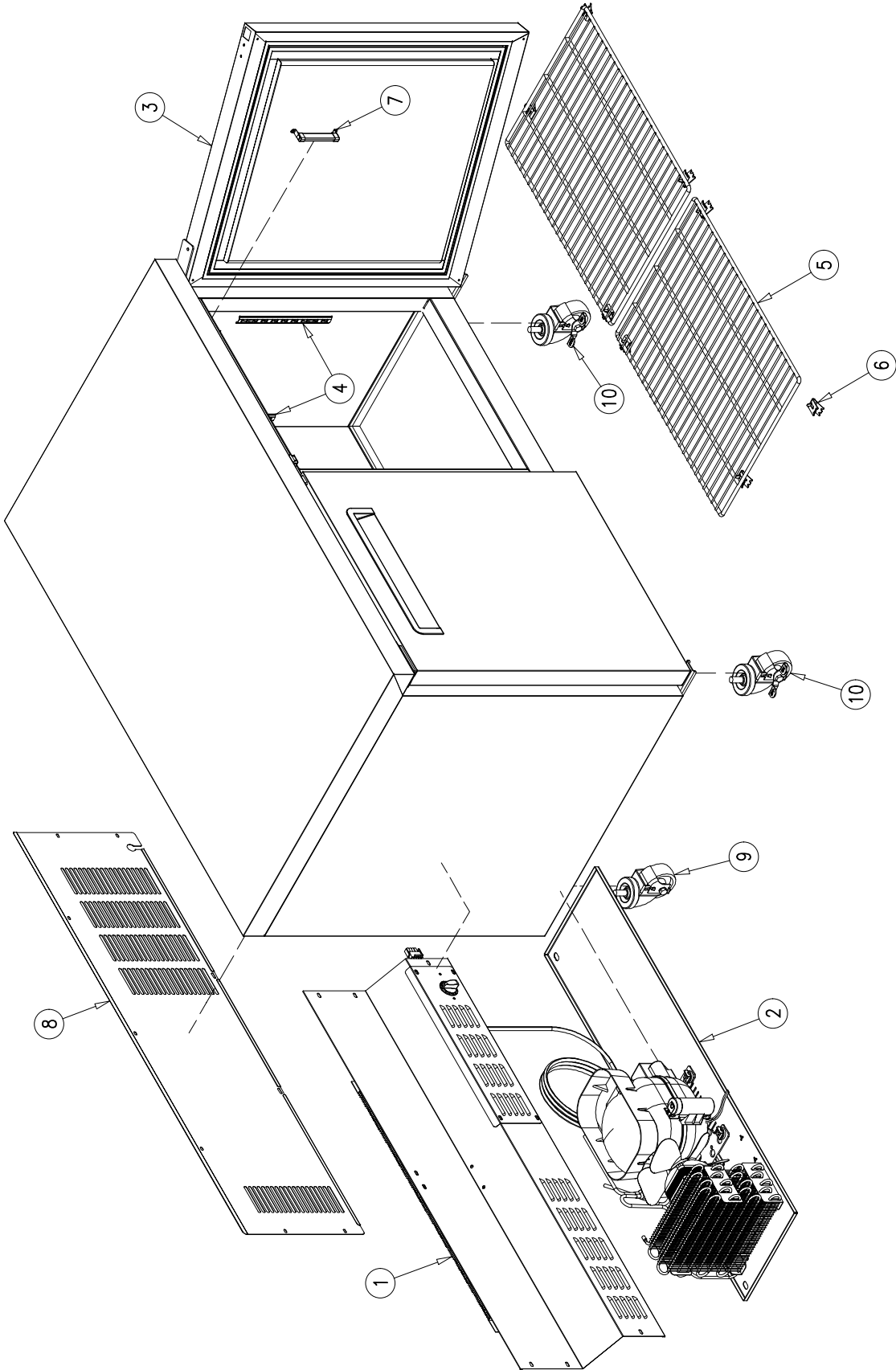
MAIN ASSEMBLY	3
EVAPORATOR ASSEMBLY	5
CONDENSING UNIT ASSEMBLY	7
DOOR ASSEMBLY	9

NOTE:

To order spare parts, always include the following information:

- *Model Number* _____
- *Serial Number* _____

MAIN ASSEMBLY

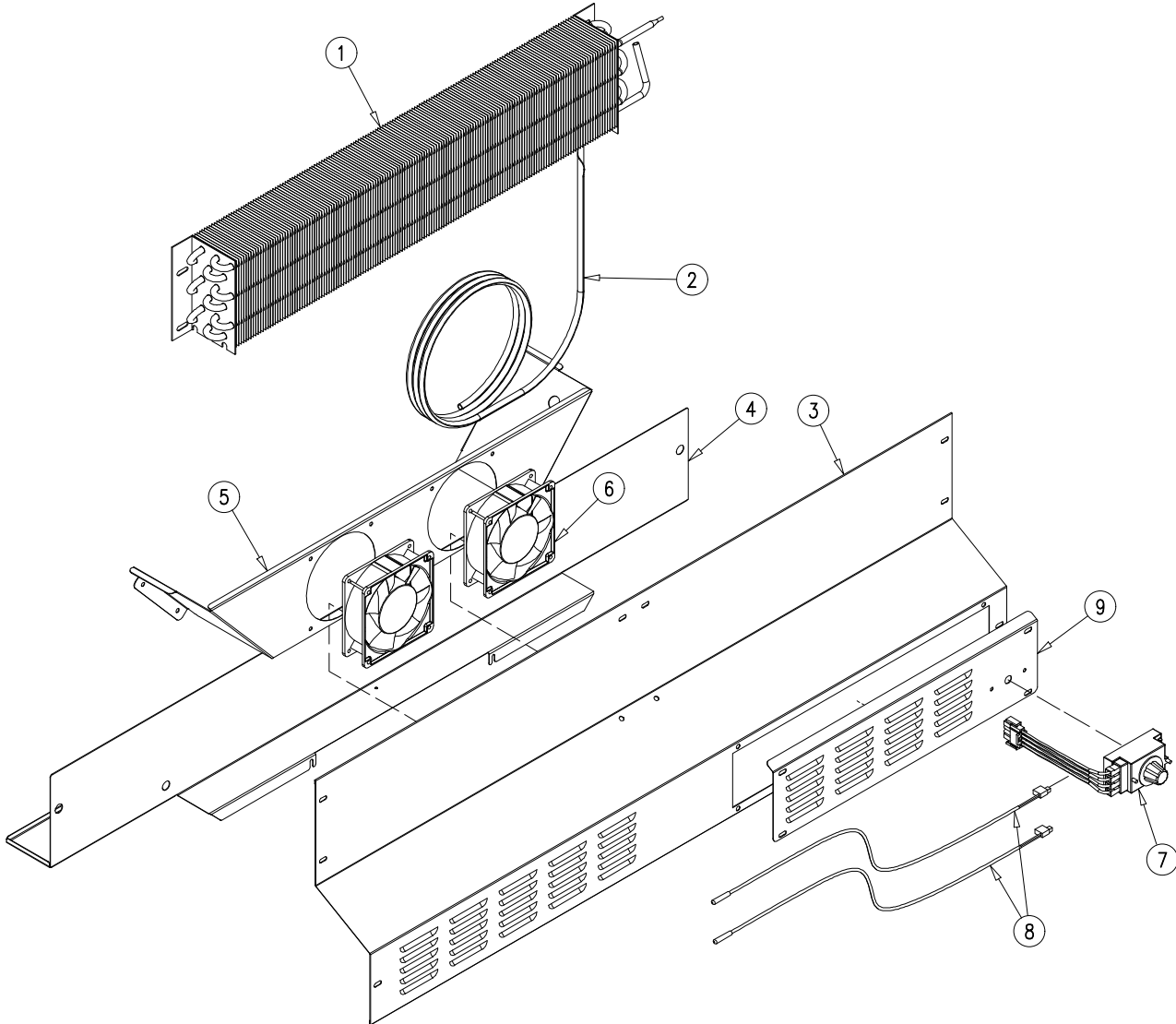


EUR48A

MAIN ASSEMBLY

<i>Item No.</i>	<i>Description</i>	<i>Part No.</i>	<i>Quantity per cooler</i>
1	EVAPORATOR ASSEMBLY	OT-EV-0223	1
2	CONDENSING UNIT ASSEMBLY	OT-UN-0394	1
3	RIGHT AND LEFT DOOR ASSEMBLY	OT-PTA-0258-R-836	1
		OT-PTA-0258-L-836	1
4	PILASTER 48"	PI-5	2
5	FLAT SHELF	SH-0560-HD-GR	2
6	SHELF CLIPS	CL-51-SS-E	8
7	THERMOMETER	TH-1-E	1
8	BACK GRILL	OT-22356	1
9	BACK NON-LOCKING CASTER	CA-4	2
10	FRONT LOCKING CASTER	CA-4-BR	2

EVAPORATOR ASSEMBLY



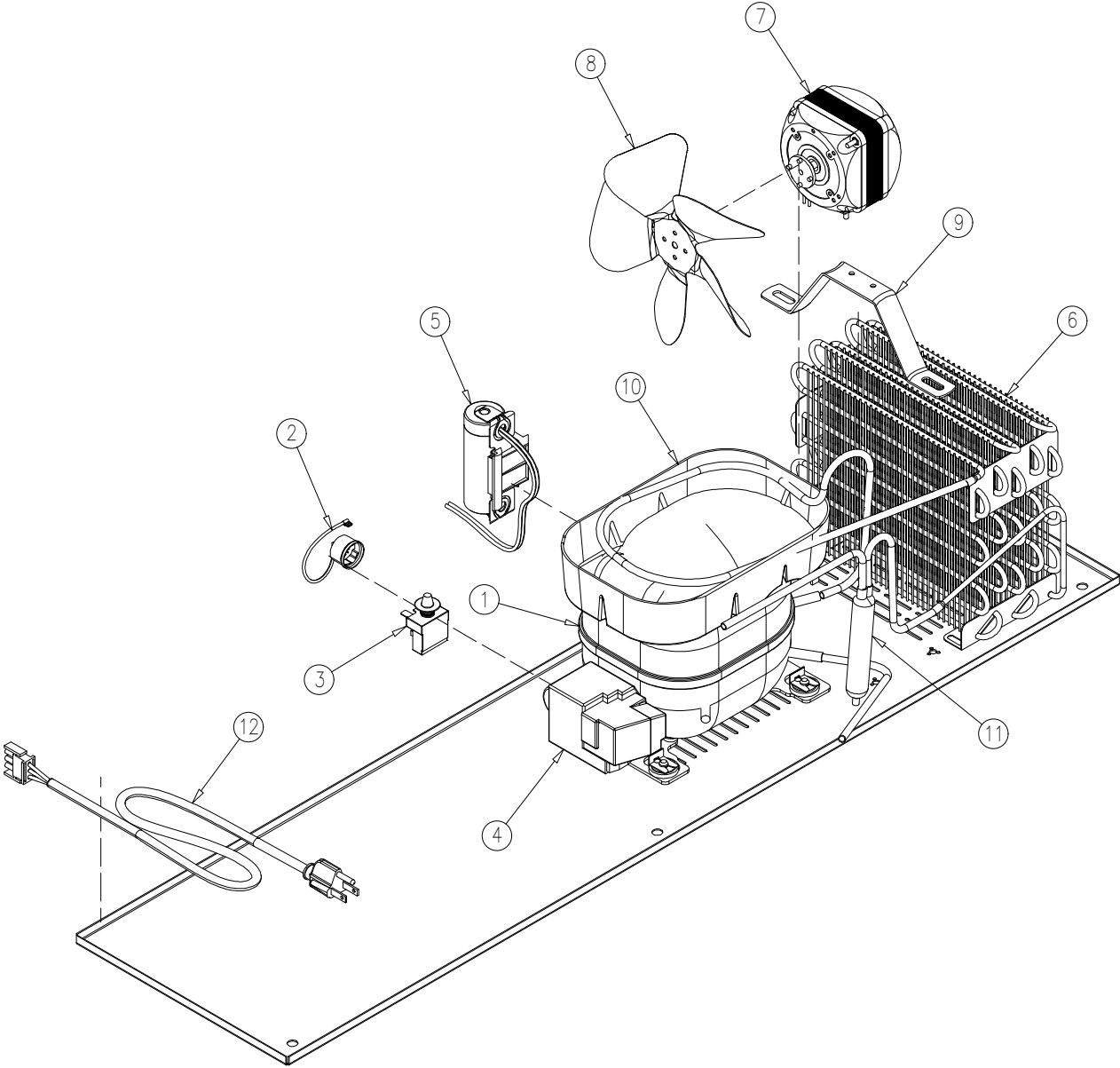
EVAPORATOR ASSEMBLY

<i>Item No.</i>	<i>Description</i>	<i>Part No.</i>	<i>Quantity per cooler</i>
1	EVAPORATOR	CO-477	1
2	HEAT EXCHANGER	TUB-1216	1
3	SHROUD	OT-22349	1
4	EVAPORATOR SUPPORT	OT-22365	1
5	EVAPORATOR FAN MOTOR BRACKET	OT-22362	1
6	EVAPORATOR FAN MOTOR	FA-110	2
7	CONTROL MODULE	CT-198-SOL-125 (K)**	1
8	CABINET THERMISTOR (evaporator and cabinet sensors)	CT-196-2-SOL	2
9	CONTROL MODULE BRACKET	OT-22811	1

** THE PART NUMBER CT-198-SOL-125 (K) INCLUDES:
 CONTROL MODULE CT-198-SOL-125
 DOOR SWITCH HARNESS OT-AR-5022
 CONTROL MODULE HARNESS OT-AR-5518
 CABINET THERMISTOR CT-196-2-SOL

*Parts Change With Serial Number Break						
ITEM No.	Description	Interchangeable	Previous Component	Hoshizaki Last Serial Number and Earlier	Current Component	Hoshizaki First Serial Number and Later
7	CONTROL MODULE	YES	CT-194-SOL-137	L-00624 (J)	CT-198-SOL-125	M-00984(A)

CONDENSING UNIT ASSEMBLY



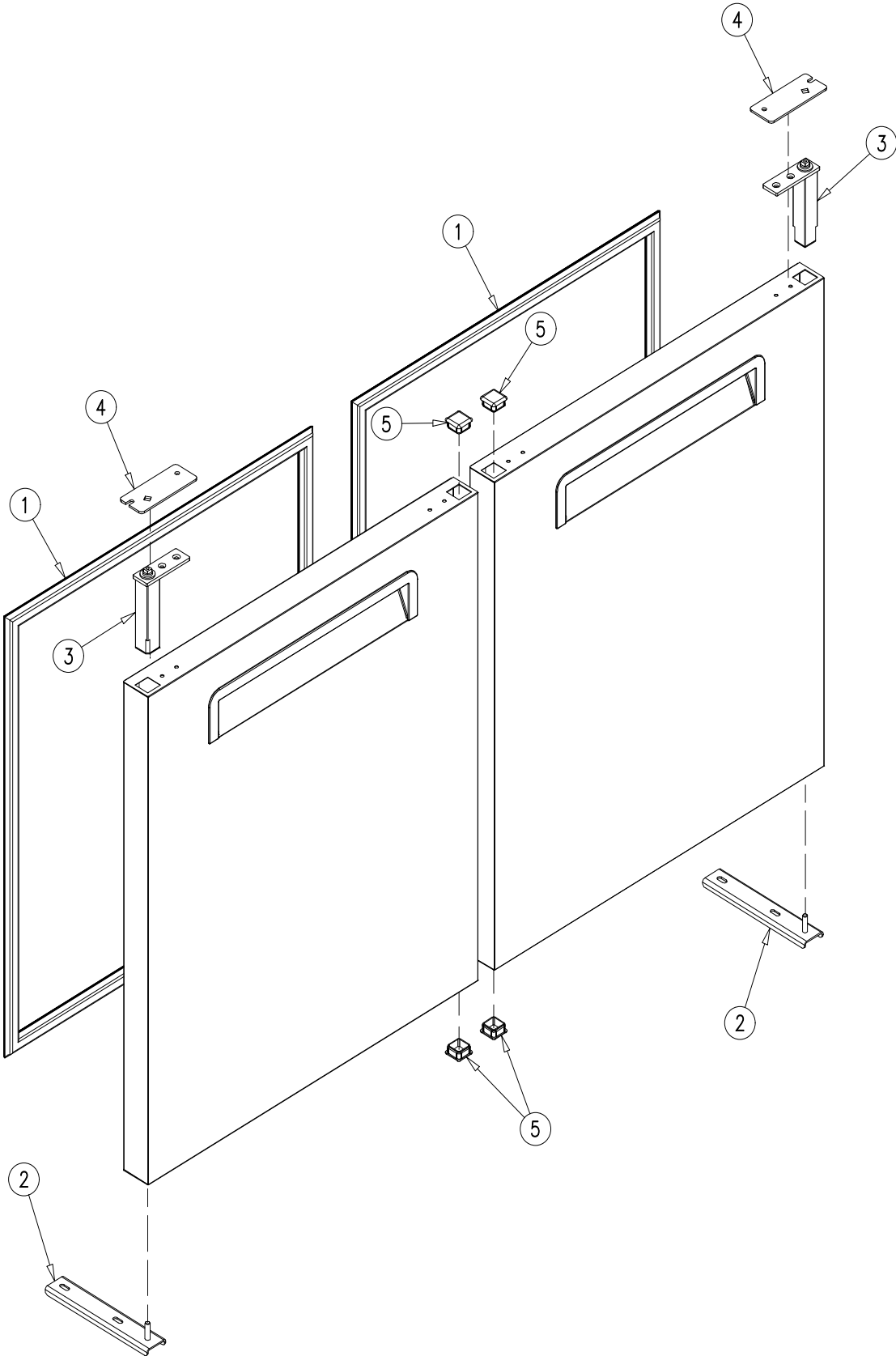
CONDENSING UNIT ASSEMBLY

<i>Item No.</i>	<i>Description</i>	<i>Part No.</i>	<i>Quantity per cooler</i>
1	COMPRESSOR (1/6HP 115V/60HZ R-290)	EM2U3111U	1
2	EXTERNAL PROTECTOR (4TM302KFBYY-53)	EL-2107-R	1
3	PTC RELAY (8EA14C3/8EA14E62)	EL-2076-R	1
4	ELECTRICAL BOX	EL-2095-R	1
5	RUN CAPACITOR (12μF 180V)	CAP-12-180	1
6	CONDENSER	CO-426	1
7	CONDENSER FAN MOTOR	OT-FA-1-EBM-0396	1
8	CONDENSER FAN MOTOR BLADE	FA-2-SW*	1
9	CONDENSER FAN MOTOR BRACKET	FA-39	1
10	COMPRESSOR EVAPORATION TRAY	DP-6	1
11	DRIER	DR-31	1
12	POWER CORD (9 ft)	OT-EL-1265-9-4784	1

***Parts Change With Serial Number Break**

ITEM No.	Description	Interchangeable	Previous Component	Hoshizaki Last Serial Number and Earlier	Current Component	Hoshizaki First Serial Number and Later
8	CONDENSER FAN MOTOR BLADE	YES	FA-2-EBM	L-01012(G)	FA-2-SW	L-00579(J)

DOOR ASSEMBLY



DOOR ASSEMBLY

<i>Item No.</i>	<i>Description</i>	<i>Part No.</i>	<i>Quantity per cooler</i>
1	MAGNETIC GASKET	OT-GA-500-PTA-0258*	2
2	LOWER HINGE ASSEMBLY	HA-613	2
3	TORSION MECHANISM	HA-612	2
4	TORSION MECHANISM CAP	OT-22263	2
5	DOOR PLUG	PL-191-G	4

***Parts Change With Serial Number Break**

ITEM No.	Description	Inter-changeable	Previous Component	Hoshizaki Last Serial Number and Earlier	Current Component	Hoshizaki First Serial Number and Later
1	MAGNETIC GASKET	YES	OT-GA-400-PTA-0258	M-00596(B)	OT-GA-500-PTA-0258	M-00003(D)