



Parts List

EUR27A

TABLE OF CONTENTS

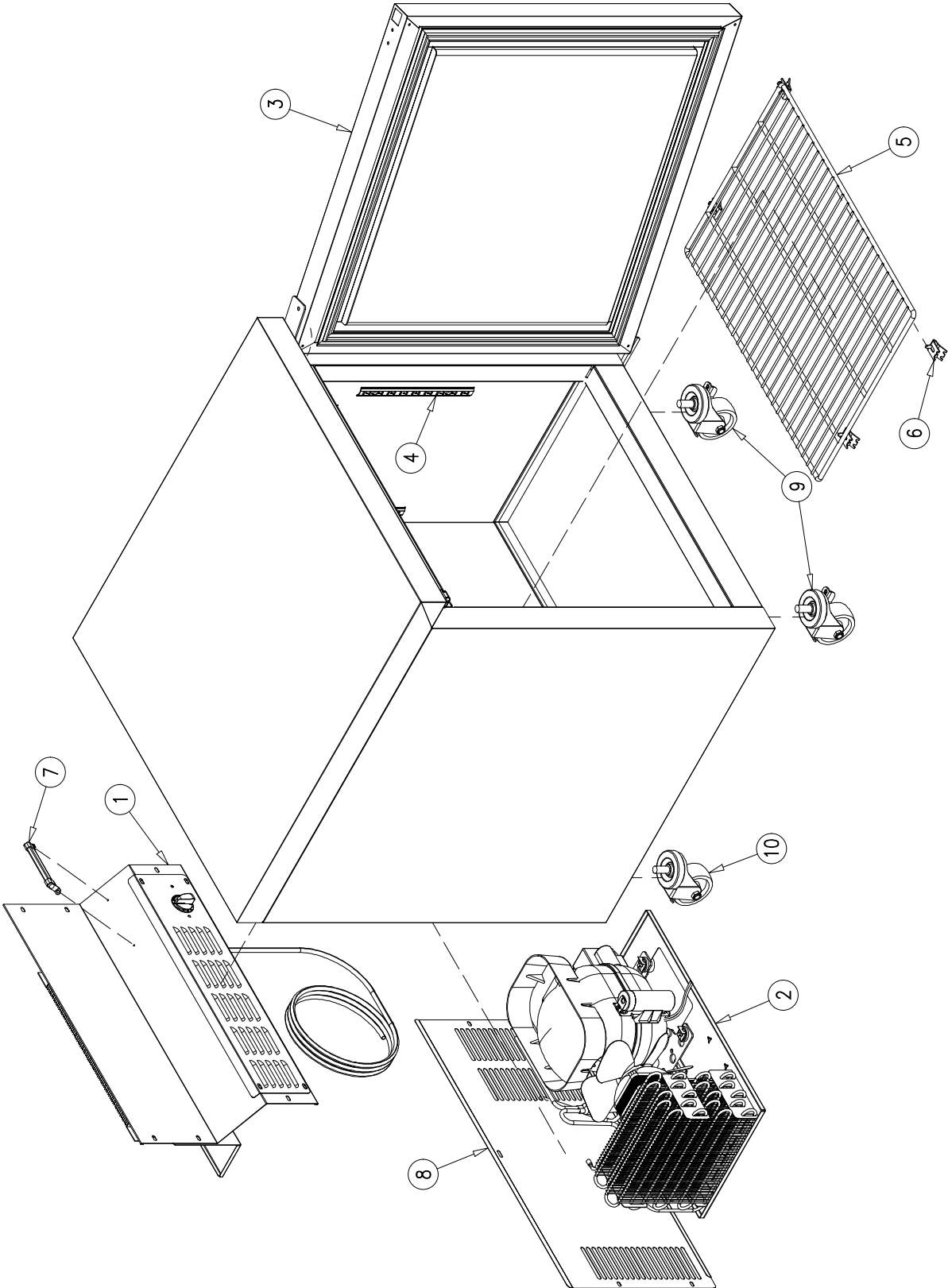
MAIN ASSEMBLY	3
EVAPORATOR ASSEMBLY	5
CONDENSING UNIT ASSEMBLY	7
DOOR ASSEMBLY	9

NOTE:

To order spare parts, always include the following information:

- *Model Number* _____
- *Serial Number* _____

MAIN ASSEMBLY



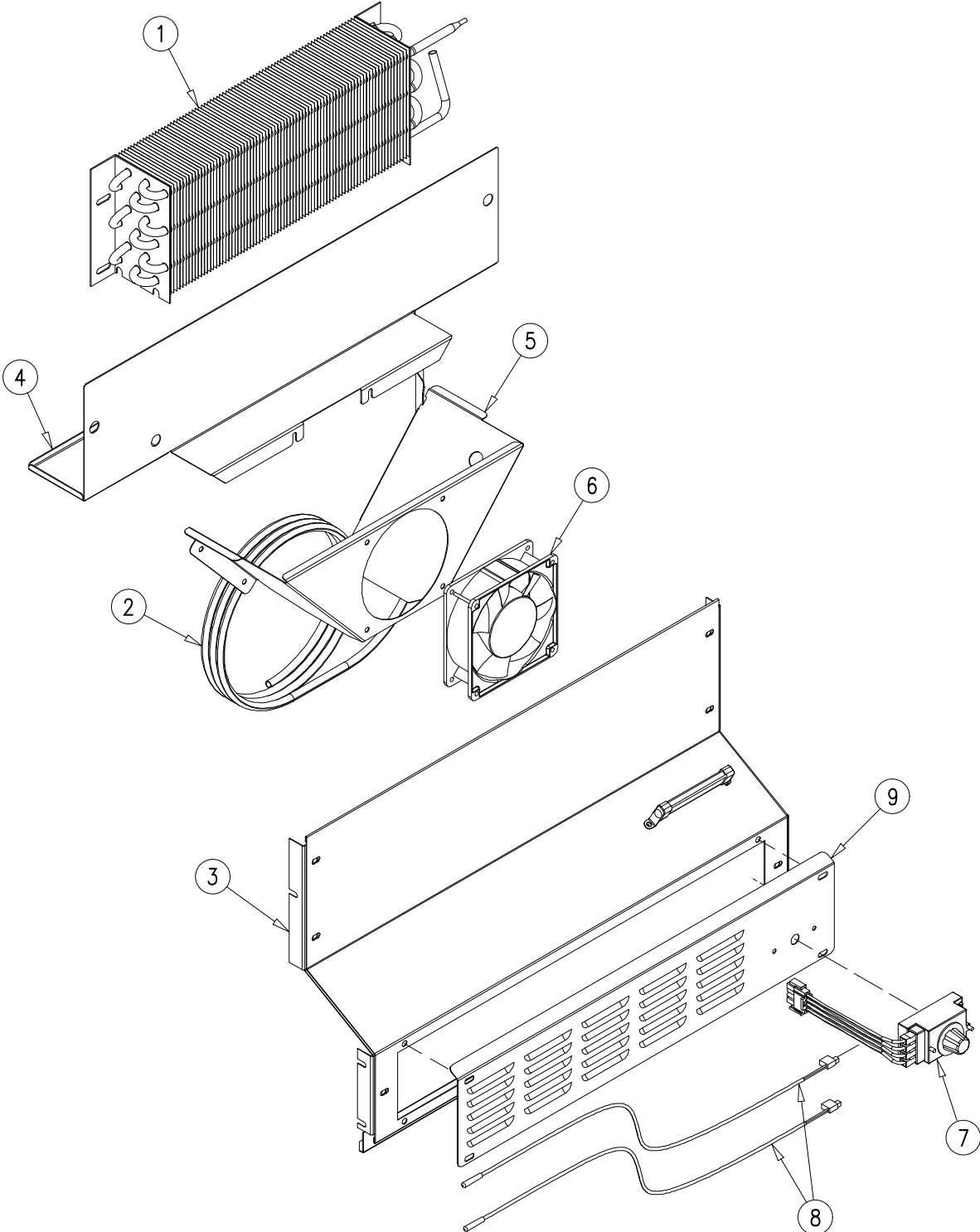
MAIN ASSEMBLY

<i>Item No.</i>	<i>Description</i>	<i>Part No.</i>	<i>Quantity per cooler</i>
1	EVAPORATOR ASSEMBLY	OT-EV-0256	1
2	CONDENSING UNIT ASSEMBLY	OT-UN-0393	1
3	DOOR ASSEMBLY	OT-PTA-0257-836*	1
4	PILASTER 48"	PI-5	1
5	FLAT SHELF	SH-0559-HD-GR	1
6	SHELF CLIPS	CL-51-SS-E	4
7	THERMOMETER	TH-1-E	1
8	BACK GRILL	OT-22328	1
9	FRONT LOCKING CASTER	CA-4-BR	2
10	BACK NON-LOCKING CASTER	CA-4	2

***Parts Change With Serial Number Break**

ITEM No.	Description	Interchangeable	Previous Component	Hoshizaki Last Serial Number and Earlier	Current Component	Hoshizaki First Serial Number and Later
3	DOOR ASSEMBLY	YES	OT-PTA-0257	K-00449(G)	OT-PTA-0257-836	K-00255(M)

EVAPORATOR ASSEMBLY



EVAPORATOR ASSEMBLY

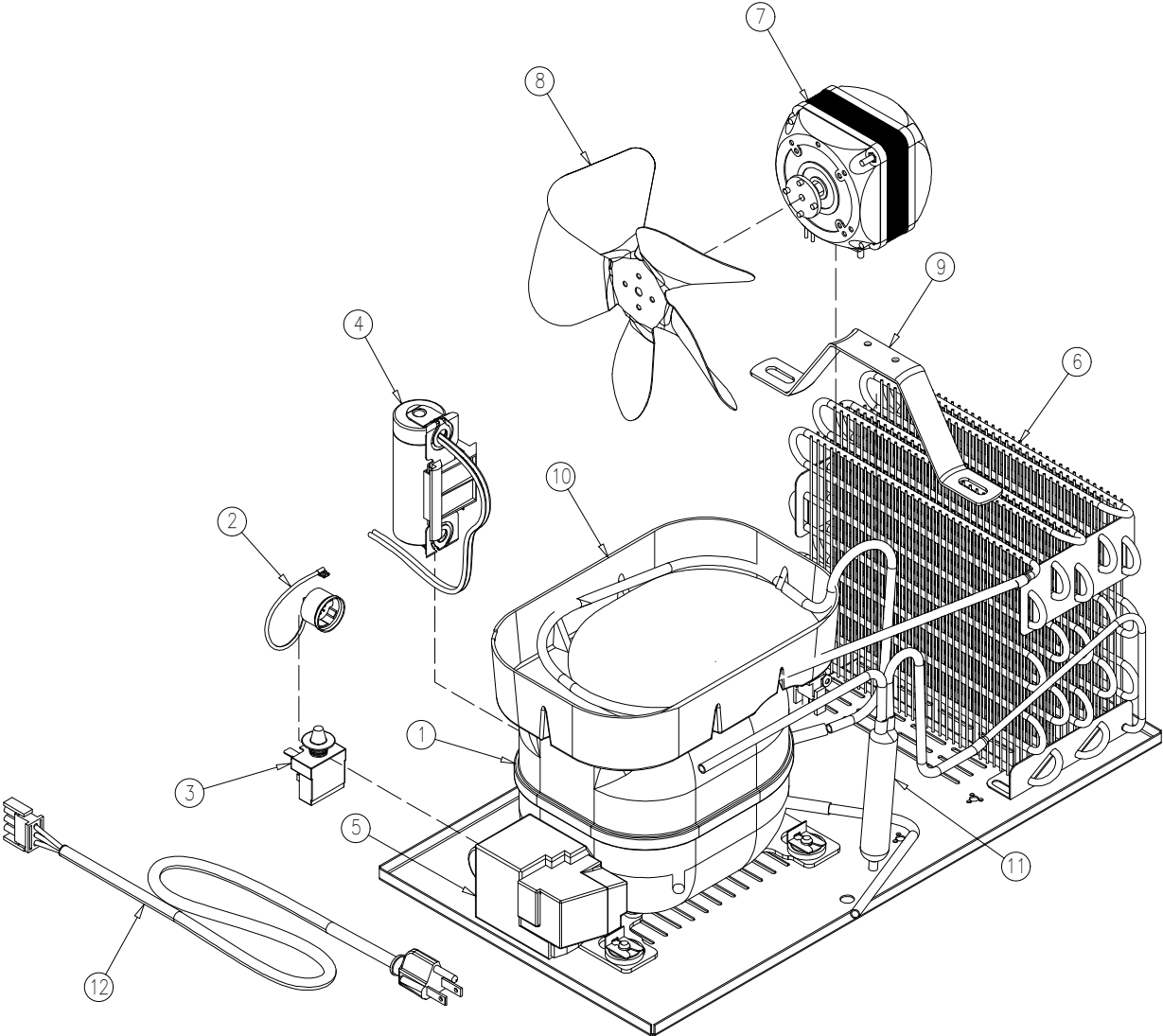
<i>Item No.</i>	<i>Description</i>	<i>Part No.</i>	<i>Quantity per cooler</i>
1	EVAPORATOR	CO-476	1
2	HEAT EXCHANGER	TUB-1301	1
3	SHROUD	OT-22285	1
4	EVAPORATOR SUPPORT	OT-22297	1
5	EVAPORATOR FAN MOTOR BRACKET	OT-22298	1
6	EVAPORATOR FAN MOTOR	OT-FA-110-0396	1
7	CONTROL MODULE	CT-198-SOL-125 (K) **	1
8	CABINET THERMISTOR (evaporator and cabinet sensors)	CT-196-2-SOL	2
9	CONTROL MODULE BRACKET	OT-22818	1

** THE PART NUMBER CT-198-SOL-125 (K) INCLUDES:

CONTROL MODULE CT-198-SOL-125
 DOOR SWITCH HARNESS OT-AR-5022
 CONTROL MODULE HARNESS OT-AR-5518
 CABINET THERMISTOR CT-196-2-SOL

*Parts Change With Serial Number Break						
ITEM No.	Description	Interchangeable	Previous Component	Hoshizaki Last Serial Number and Earlier	Current Component	Hoshizaki First Serial Number and Later
7	CONTROL MODULE	YES	CT-194-SOL-137	L-03875(H)	CT-198-SOL-125	M-00896(A)

CONDENSING UNIT ASSEMBLY



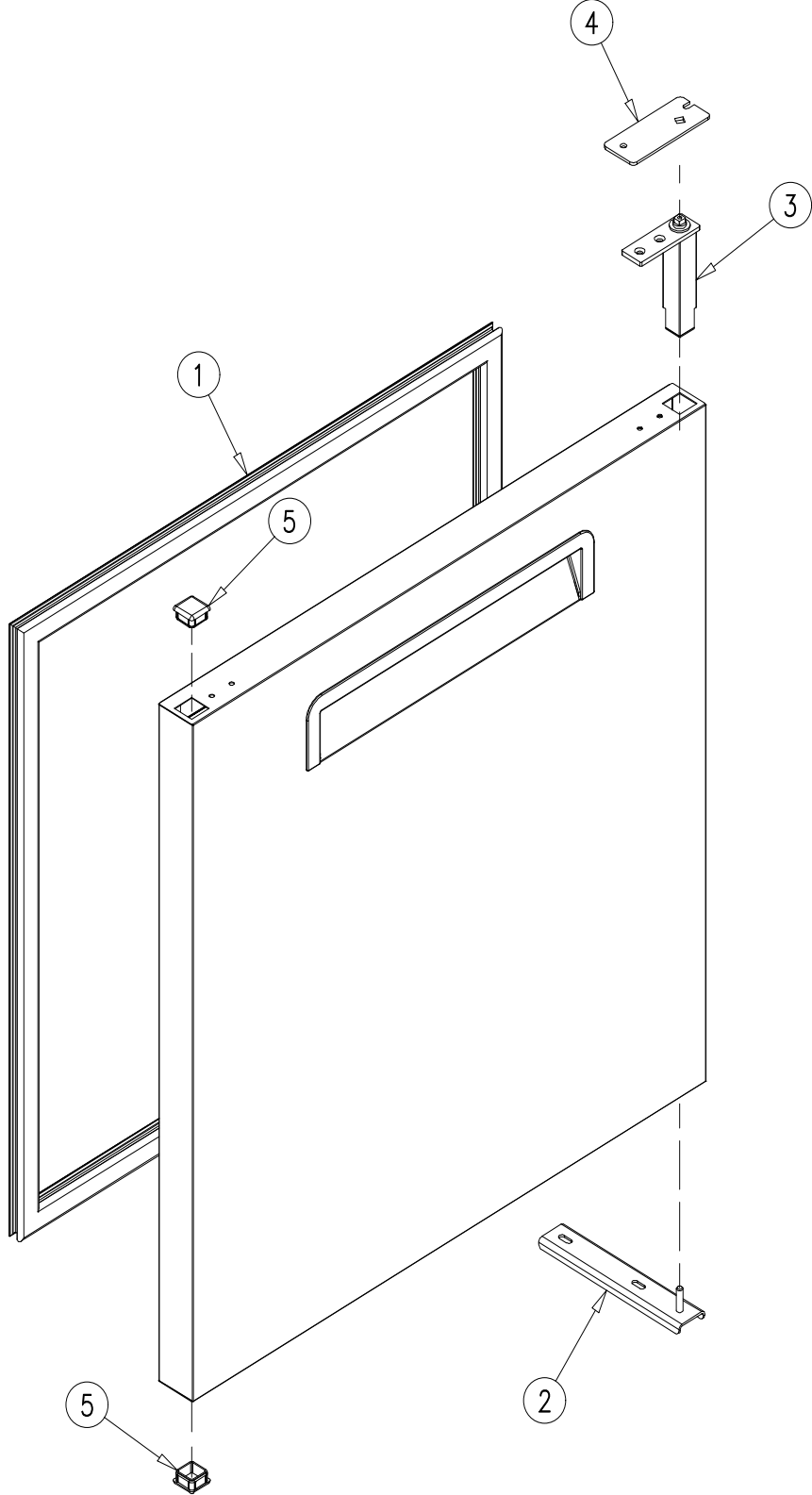
CONDENSING UNIT ASSEMBLY

<i>Item No.</i>	<i>Description</i>	<i>Part No.</i>	<i>Quantity per cooler</i>
1	COMPRESSOR (1/6HP 115V/60HZ R-290)	EM2U3111U	1
2	EXTERNAL PROTECTOR (4TM302KFBYY-53)	EL-2107-R	1
3	PTC RELAY (8EA14C3/A4R7MD3)	EL-2076-R	1
4	RUN CAPACITOR (12 μ F 180V)	CAP-12-180	1
5	ELECTRICAL BOX	EL-2095-R	1
6	CONDENSER	CO-426	1
7	CONDENSER FAN MOTOR	OT-FA-1-EBM-0396	1
8	CONDENSER FAN BLADE	FA-2-SW*	1
9	CONDENSER FAN MOTOR BRACKET	FA-39	1
10	COMPRESSOR EVAPORATION TRAY	DP-6	1
11	DRIER	DR-31	1
12	POWER CORD (9 ft)	OT-EL-1265-9-4784	1

***Parts Change With Serial Number Break**

ITEM No.	Description	Interchangeable	Previous Component	Hoshizaki Last Serial Number and Earlier	Current Component	Hoshizaki First Serial Number and Later
8	CONDENSER FAN BLADE	YES	FA-2-EBM	L-00882(E)	FA-2-SW	L-03700(H)

DOOR ASSEMBLY



DOOR ASSEMBLY

<i>Item No.</i>	<i>Description</i>	<i>Part No.</i>	<i>Quantity per cooler</i>
1	MAGNETIC GASKET	OT-GA-500-PTA-0257*	1
2	LOWER HINGE ASSEMBLY	HA-613	1
3	TORSION MECHANISM	HA-612	1
4	TORSION MECHANISM CAP	OT-22263	1
5	DOOR PLUG	PL-191-G	2

***Parts Change With Serial Number Break**

ITEM No.	Description	Inter-changeable	Previous Component	Hoshizaki Last Serial Number and Earlier	Current Component	Hoshizaki First Serial Number and Later
1	MAGNETIC GASKET	YES	OT-GA-400-PTA-0257	M-00983(A)	OT-GA-500-PTA-0257	M-00141(D)