



Parts List

EUF27A

TABLE OF CONTENTS

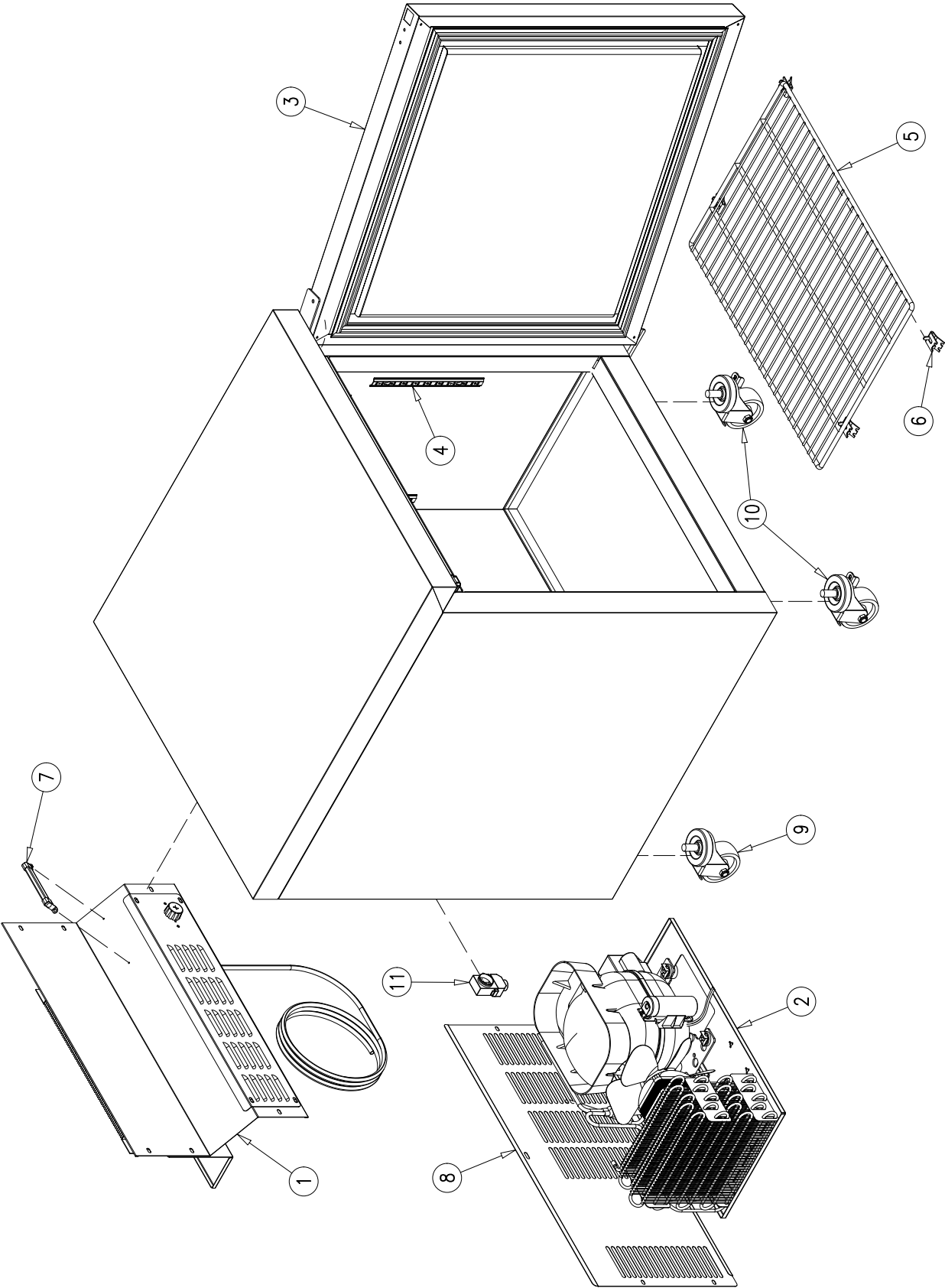
MAIN ASSEMBLY	3
EVAPORATOR ASSEMBLY	5
CONDENSING UNIT ASSEMBLY	7
DOOR ASSEMBLY	9

NOTE:

To order spare parts, always include the following information:

- *Model Number* _____
- *Serial Number* _____

MAIN ASSEMBLY



EUF27A

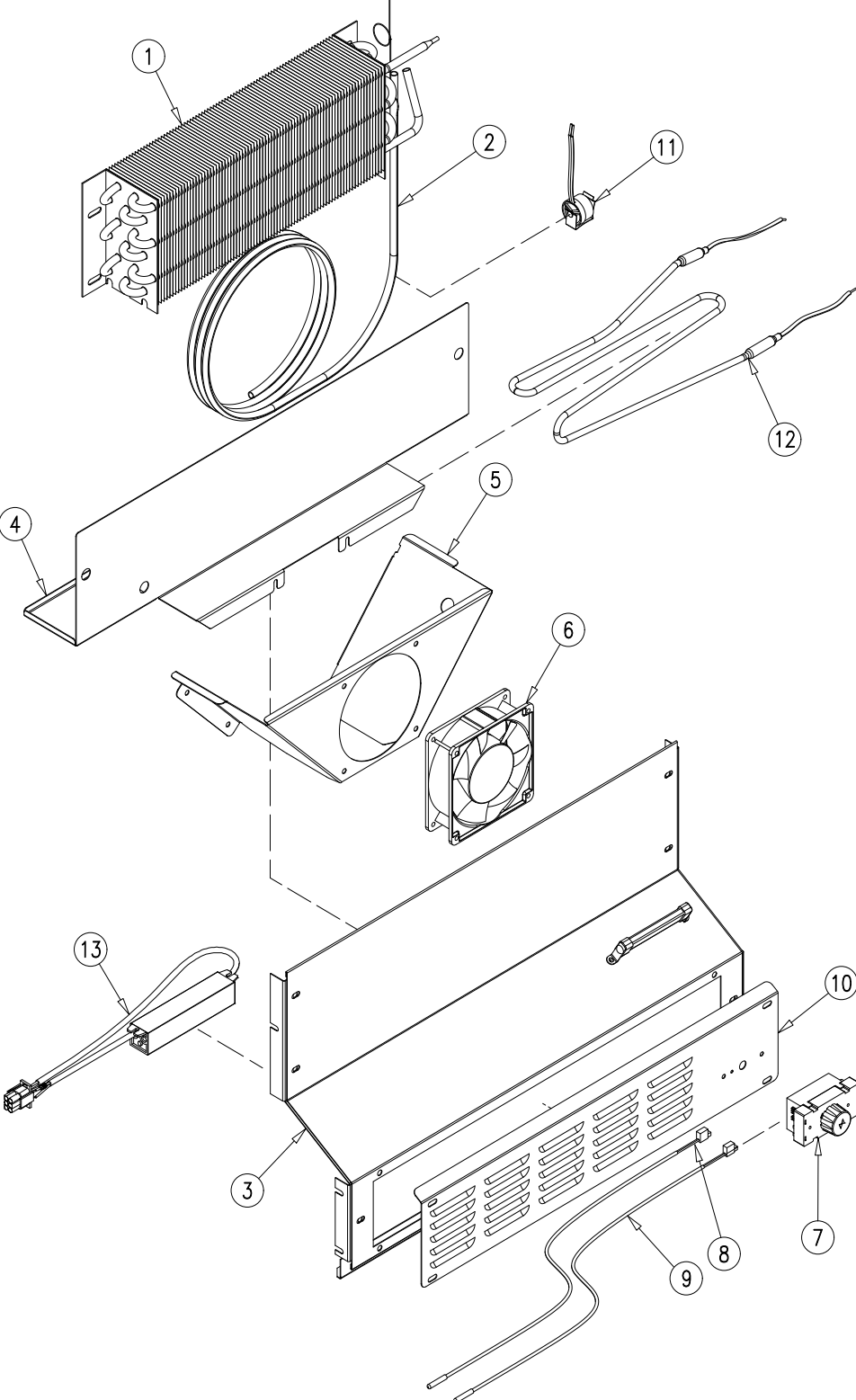
MAIN ASSEMBLY

<i>Item No.</i>	<i>Description</i>	<i>Part No.</i>	<i>Quantity per cooler</i>
1	EVAPORATOR ASSEMBLY	OT-EV-0221	1
2	CONDENSING UNIT ASSEMBLY	OT-UN-0393-1	1
3	DOOR ASSEMBLY	OT-PTA-0257-836	1
4	PILASTER (9 3/16")	OT-PI-5-9.1875	4
5	FLAT SHELF	SH-0559-HD-GR	1
6	SHELF CLIP	CL-51-SS-E	4
7	THERMOMETER	TH-1-E	1
8	BACK GRILL	OT-22341	1
9	BACK NON-LOCKING CASTER	CA-4	2
10	FRONT LOCKING CASTER	CA-4-BR	2
11	PRESSURE RELIEF VALVE	VA-110*	1

***Parts Change With Serial Number Break**

ITEM No.	Description	Interchangeable	Previous Component	Hoshizaki Last Serial Number and Earlier	Current Component	Hoshizaki First Serial Number and Later
11	PRESSURE RELIEF VALVE	YES	VA-103	K-01145(G)	VA-110	K-00091(M)

EVAPORATOR ASSEMBLY



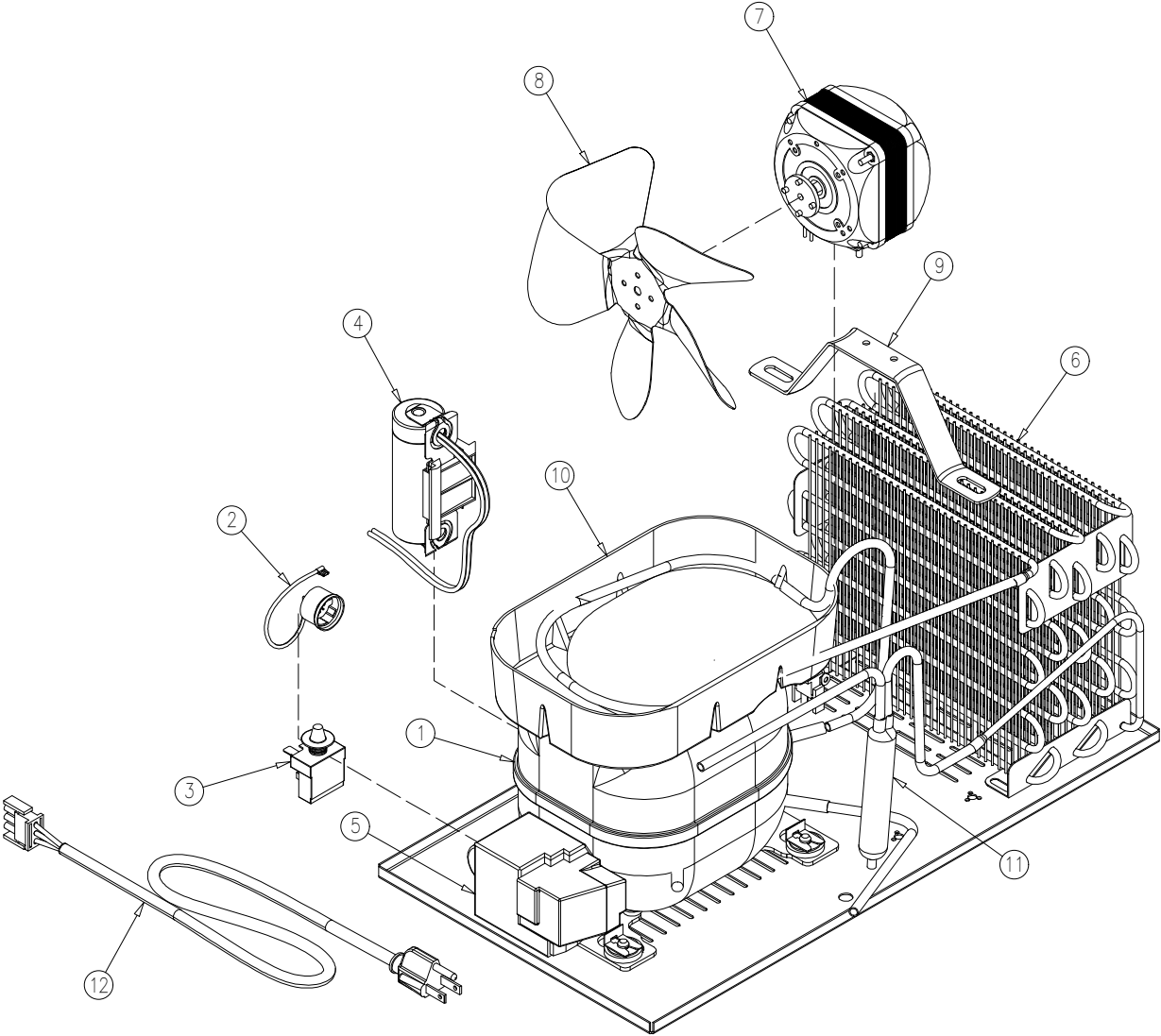
EVAPORATOR ASSEMBLY

<i>Item No.</i>	<i>Description</i>	<i>Part No.</i>	<i>Quantity per cooler</i>
1	EVAPORATOR	CO-476	1
2	HEAT EXCHANGER	OT-TUB-1301*	1
3	SHROUD	OT-22285	1
4	EVAPORATOR SUPPORT	OT-22297	1
5	EVAPORATOR FAN MOTOR BRACKET	OT-22298	1
6	EVAPORATOR FAN MOTOR	OT-FA-93-IP55-1233*	1
7	CONTROL MODULE	CT-197-CO-327 (K)**	1
8	CABINET THERMISTOR (cabinet sensor)	CT-180-3-CO*	1
9	DEFROST THERMISTOR (evaporator sensor)	CT-180-4-CO*	1
10	CONTROL MODULE BRACKET	OT-22818	1
11	DEFROST SAFETY THERMOSTAT	OT-CT-11-R-EM	1
12	DEFROST HEATER	OT-EL854DR290-CO476	1
13	FAN POWER SUPPLY (1.25 Amp.)	OT-EL-151-T	1

** THE PART NUMBER CT-197-CO-327 (K) INCLUDES:
 CONTROL MODULE CT-197-CO-327
 CONTROL MODULE HARNESS OT-AR-5598
 CABINET THERMISTOR (cabinet sensor) CT-180-3-CO
 DEFROST THERMISTOR (evaporator sensor) CT-180-4-CO

*Parts Change With Serial Number Break						
ITEM No.	Description	Inter-change-able	Previous Component	Hoshizaki Last Serial Number and Earlier	Current Component	Hoshizaki First Serial Number and Later
2	HEAT EXCHANGER	YES	OT-TUB-1214	K-01145(G)	OT-TUB-1301	K-00091(M)
6	EVAPORADOR FAN MOTOR	YES	FA-93	L-03123(H)	OT-FA-93-IP55-1233	M-00720(A)
7	CONTROL MODULE	YES	CT-197-SOL-145	M-00895(A)	CT-197-CO-327	P-00001(A)
8	CABINET THERMISTOR	NO	CT-196-2-SOL	M-00895(A)	CT-180-3-CO	P-00001(A)
9	DEFROST THERMISTOR	NO	CT-196-2-SOL	M-00895(A)	CT-180-4-CO	P-00001(A)

CONDENSING UNIT ASSEMBLY



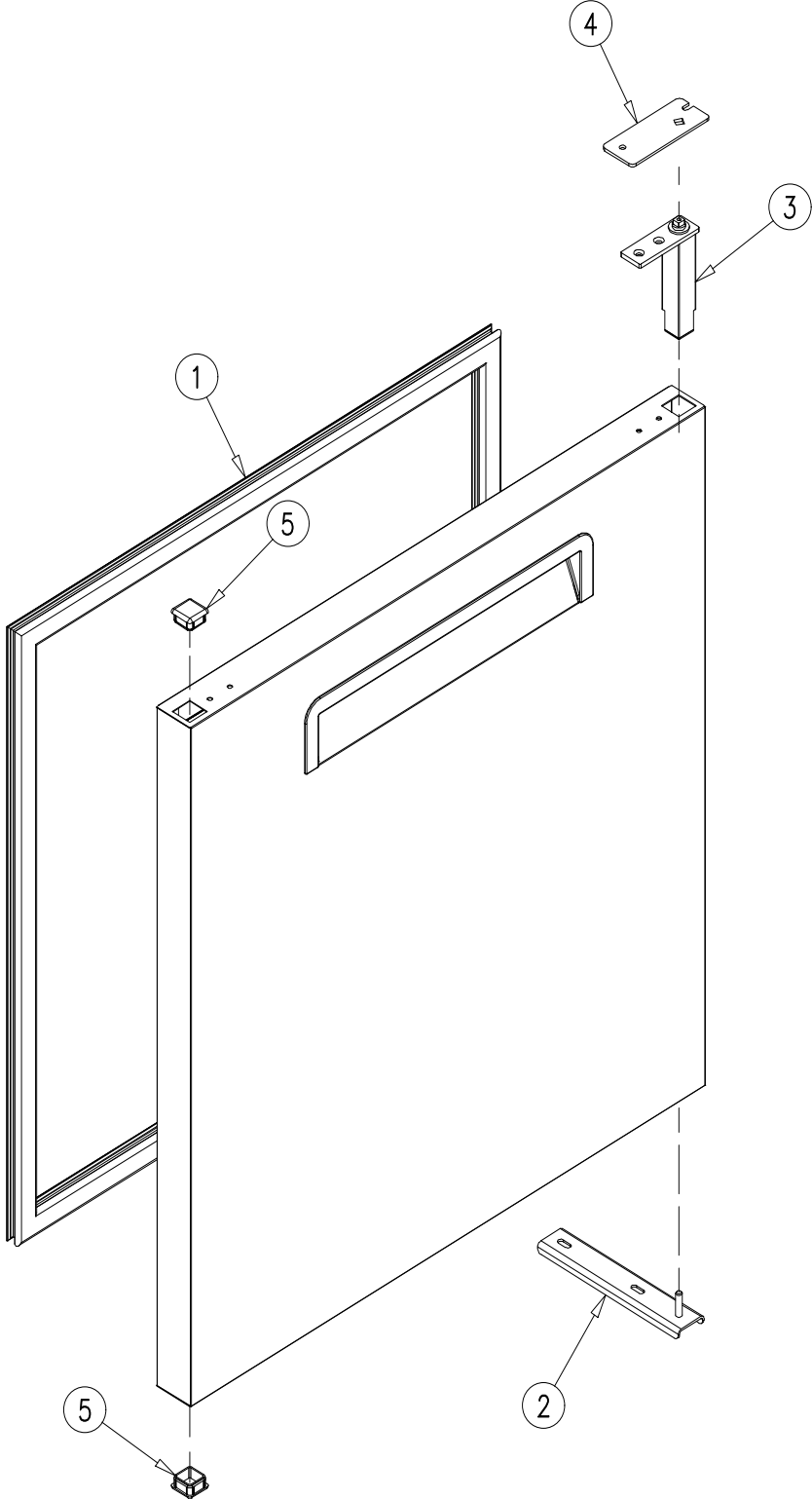
CONDENSING UNIT ASSEMBLY

<i>Item No.</i>	<i>Description</i>	<i>Part No.</i>	<i>Quantity per cooler</i>
1	COMPRESSOR (1/5HP 115V/60HZ R-290)	EM2U3115U	1
2	EXTERNAL PROTECTOR (4TM319RFBYY-53)	EL-2087-R	1
3	PTC RELAY (8EA14C3)	EL-2086-R	1
4	START CAPACITOR (12μF-180V)	CAP-12-180	1
5	ELECTRICAL BOX	EL-2088-R	1
6	CONDENSER	CO-426-L*	1
7	CONDENSER FAN MOTOR	FA-122-SW-1800*	1
8	CONDENSER FAN MOTOR BLADE	FA-2-SW*	1
9	CONDENSER FAN MOTOR BRACKET	FA-39	1
10	DRAIN PAN	DP-6	1
11	DRIER	DR-31	1
12	POWER CORD (9 ft)	EL-1260-9*	1

*Parts Change With Serial Number Break

ITEM No.	Description	Inter-changeable	Previous Component	Hoshizaki Last Serial Number and Earlier	Current Component	Hoshizaki First Serial Number and Later
6	CONDENSER	YES	CO-426	M-00895(A)	CO-426-L	P-00001(A)
7	CONDENSER FAN MOTOR	YES	FA-41	M-00895(A)	FA-122-SW-1800	P-00001(A)
8	CONDENSER FAN MOTOR BLADE	YES	FA-2-EBM	L-00970(E)	FA-2-SW	L-03050(H)
12	POWER CORD	YES	OT-EL-1265-9-4784	M-00895(A)	EL-1260-9	P-00001(A)

DOOR ASSEMBLY



DOOR ASSEMBLY

<i>Item No.</i>	<i>Description</i>	<i>Part No.</i>	<i>Quantity per cooler</i>
1	MAGNETIC GASKET	OT-GA-467-PTA-0257*	1
2	LOWER HINGE ASSEMBLY	HA-613	1
3	TORSION MECHANISM	HA-612	1
4	TORSION MECHANISM CAP	OT-22263	1
5	DOOR PLUG	PL-191-G	2

***Parts Change With Serial Number Break**

ITEM No.	Description	Inter-changeable	Previous Component	Hoshizaki Last Serial Number and Earlier	Current Component	Hoshizaki First Serial Number and Later
1	MAGNETIC GASKET	YES	OT-GA-400-PTA-0257	L-00970(E)	OT-GA-467-PTA-0257	L-03050(H)