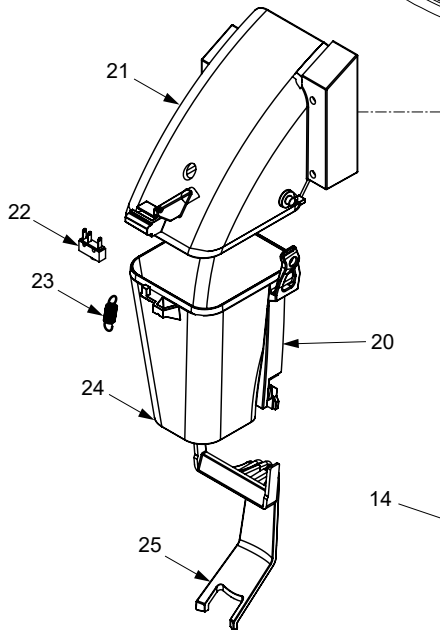
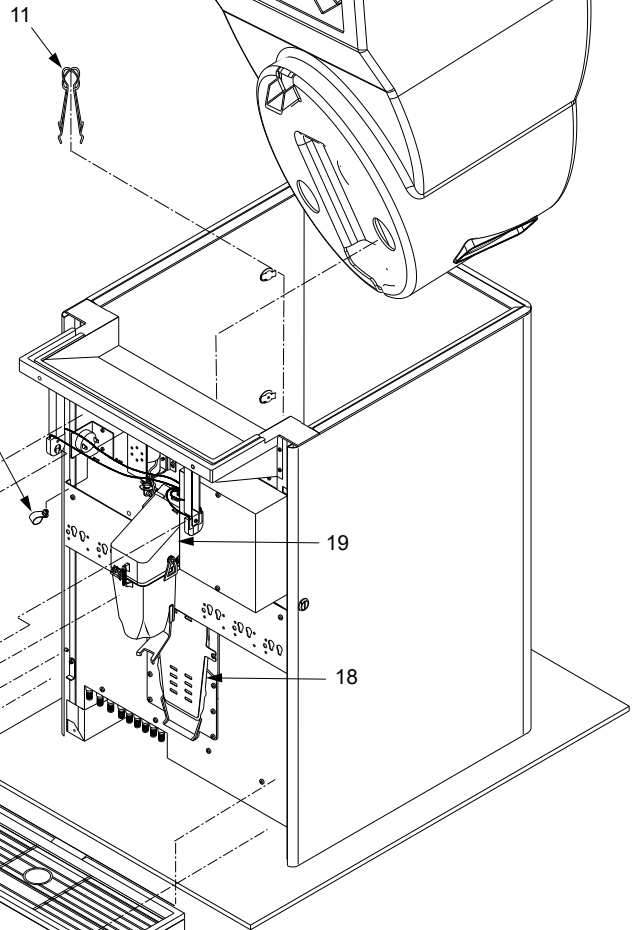
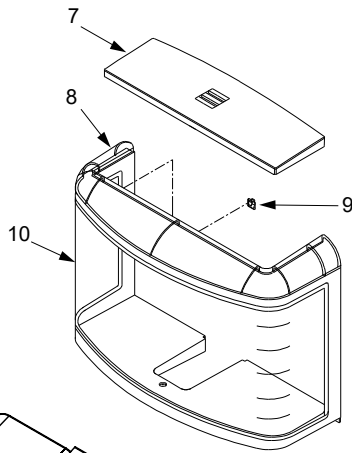
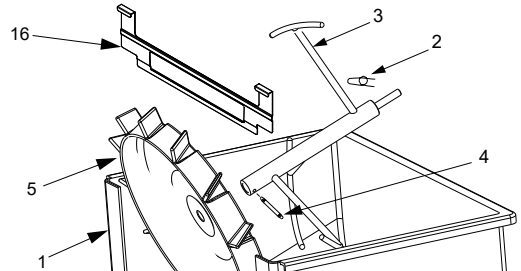
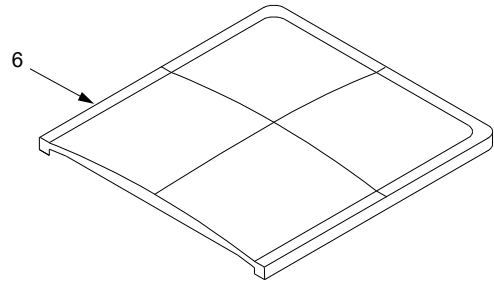
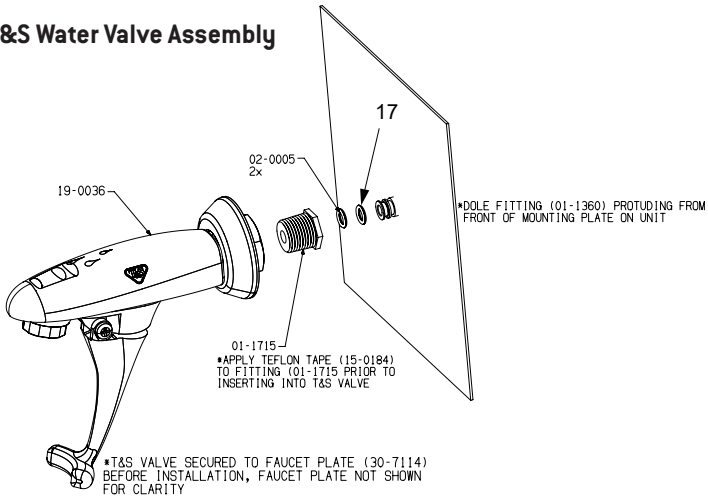
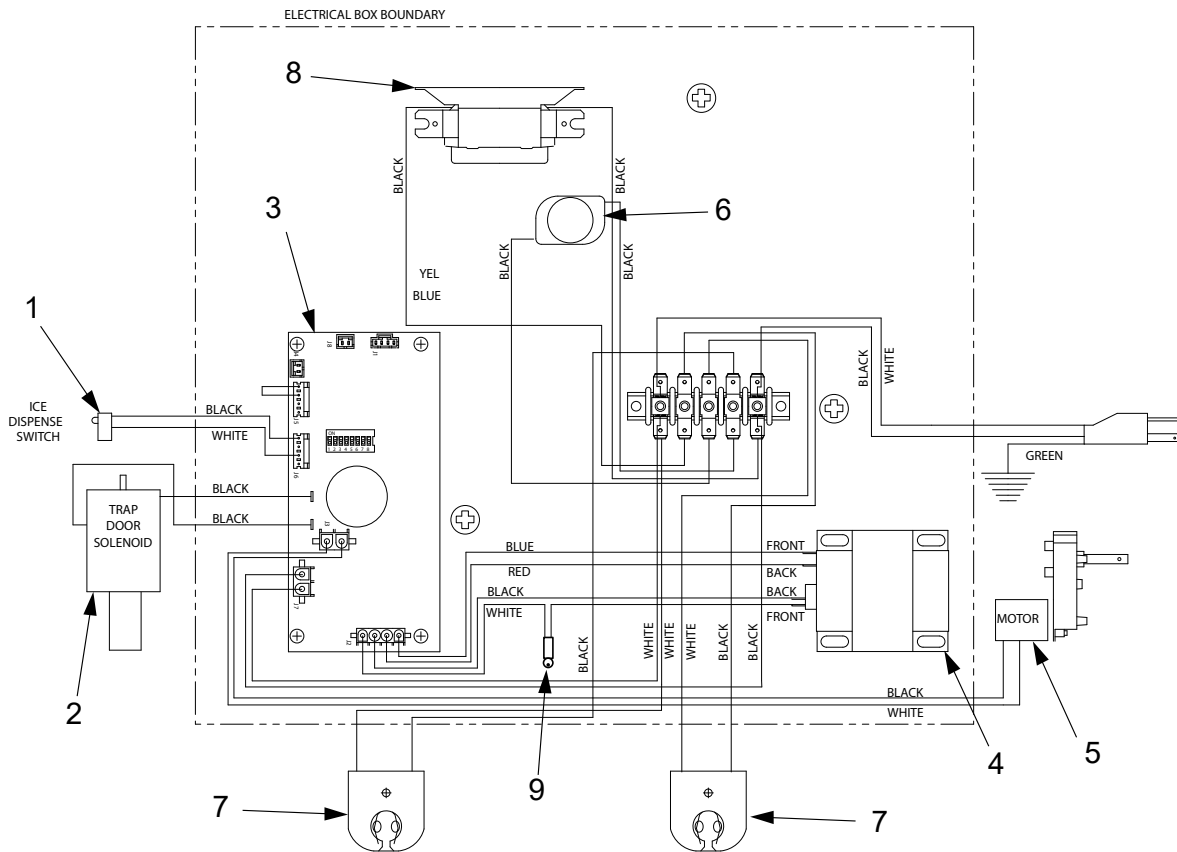


T&S Water Valve Assembly



<u>Item</u>	<u>Part No.</u>	<u>Description</u>
1	05-2325/02	Nugget Ice Liner Bin, IBD22
2	03-0368	Retainer, RUE-14-S
3	23-1401/03	Agitator Assy, Helical, IC, Hex
4	10-0762	Pin, Agitator, IBD, Single Retainer
5	82-3651	Dispensing Wheel Assy, Pellet Ice, Hex
6	05-1467	Lid, Back, IBD22, Round
7	05-1476	Lid, Front, IBD, Round
8	82-2630	Merchandiser Assy, IBD, 22 Inch, Rd
9	03-0300	Wire Clip, Adhesive
10	27-0063	Merchandiser Lens
11	23-1038/01	Drain, Spider, IBD
12	03-0049	Clip, Cord
13	12-0146/01	Lamp, 18 Inch, 15W, T8
14	30-8466	Plate, Splash, IBD, 22 Inch Wide
15	82-3175-SP	Drip Tray Assy, IBD, 22 Inch Wide
16	30-9801/03	Shield, Nugget Ice, IBD22
17	02-0005	O-Ring, Dole Fitting
18	82-3688	Agitator Motor
19	82-4415	Trap Door Solenoid
20	82-3987	Ice Chute Assembly
21	05-2257/01	Chute Upper
22	12-0244	Ice Dispense Switch
23	03-0241	Spring
24	05-2905/02	Chute Lower
25	05-0999/01	Dispense Lever

Wiring Diagram - 115 Volt / 60 Hz



<u>Item</u>	<u>Part No.</u>	<u>Description</u>
1	12-0244	Ice Dispense Switch
2	82-4415	Trap Door Solenoid
3	64-1436	Control Board
4	25-0039	Transformer (Control Board)
5	82-3688	Agitator Motor 115V
6	12-0104	Lamp Starter
7	11-0295	Lamp Sockets
8	52-1902	Transformer (Lamps)
9	12-0097	Key Switch

Lancer Corp., 6655 Lancer Blvd., San Antonio, Texas 78219 - 800-729-1500 - Technical Support/Warranty: 800-729-1550

custserv@lancercorp.com - lancercorp.com - Manual PN: 28-3070 - January 2020

"Lancer" is the registered trademark of Lancer © 2018 by Lancer, all rights reserved.