



UF27B-GLP01

Undercounter 27" Low Profile Freezer with One Glass Door



UF27B-GLP01
11/04/24
Item # 13585

W x D x H

27" x 31.5" x 31.9"*
*with 2.25" casters



Item #: _____
 Project: _____
 Qty: _____
 AIA#: _____

Features

- ▶ Specifically designed to fit under an ADA compliant 34" work surface height counter
- ▶ Engineered to maintain NSF-7 temperatures in 100°F ambient
- ▶ Stainless steel exterior sides and top with stainless steel interior sides, back, and floor



- Energy efficient LED interior lights with on/off switch
- Environmentally friendly R290 hydrocarbon refrigerant
- Innovative air distribution system distributes air evenly to maintain product temperature
- Exclusive "stepped" door design to protect door gasket
- One piece, full length chrome handle
- Extruded aluminum flush mount door handle
- Magnetic door gasket is easily removable for cleaning
- Hot gas condensate removal
- E-coated evaporator coil
- Anodized aluminum shelf supports adjustable in 1/2" increments
- Standard with 2.25" casters (two with brakes)
- 10 ft. cord and plug



Dimensions / Capacity

	One-Section UF27B-GLP01
Interior Storage Capacity (CF) (AHAM)	6.21 ft ³
Overall Width x Depth (including 1.5" plate/bumper)	27" x 32.5"
Height (including 2.25" casters)	31.9"
Door Opening Width x Height	22.75" x 23"
Depth with Door Open at 90° (including 1" bumper)	54.5"
Adjustable Shelves	1
Shelf Dimensions (W x D)	22" x 16"
Crated Weight	189 lbs.
Crated Length x Width x Height	36" x 31.5" x 35.5"

Electrical / Refrigeration

	One-Section UF27B-GLP01
Voltage	115/60/1
HACR Breaker	15.0 Amps
Electrical Connection (NEMA)	5-15P Ⓢ
Voltage Range	104-126
Ambient Temp. Range	45° to 80°F
Control Setpoint Range	-10° to 10°F
Amperage	3
Energy Consumption (kWh/day) @ASHRAE	4.32
Heat Rejection (BTU/Hr.) @NSF	468
Approx. Nominal Compres. BTU/HR (HP)	798 (1/5HP)
Refrigerant / Charge Amount (oz)	R290 (1.9 oz)

Options

- 4" Casters (HS-5035, set of 4)
- 6" Casters (HS-5036, set of 4)
- Foot pedal kit (HS-5555, Lft hinge)
- Foot pedal kit (HS-5556, Rt hinge)
- Overshelves (HS-5172 single)
- Overshelves (HS-5163 double)
- Lower epoxy shelves (HS-5161)
- Lower stainless shelves (HS-5169)
- Stainless steel back panel (factory request)



Valid in United States, Canada, Puerto Rico and U.S. Territories. *Please visit hoshizakiamerica.com/support/warranty/ for more information.

If GFCI is required, a GFCI breaker MUST be used in lieu of GFCI receptacle

Hoshizaki reserves the right to change specifications without notice.



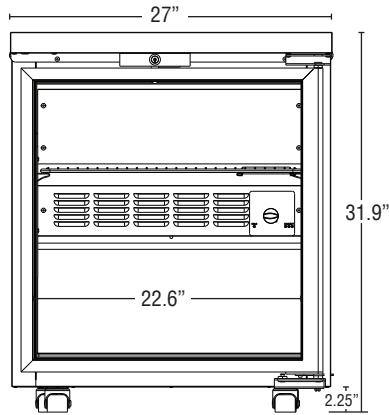
UF27B-GLP01

Undercounter 27" Low Profile
Freezer with One Glass Door

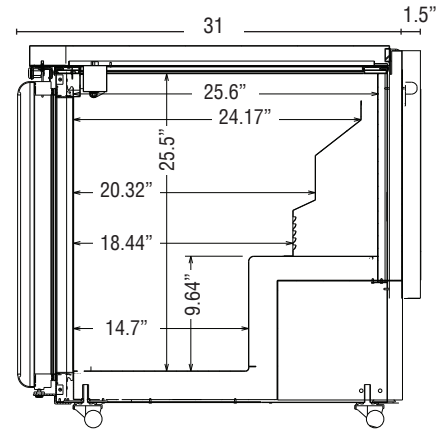


UF27B-GLP01
11/04/24
Item # 13585

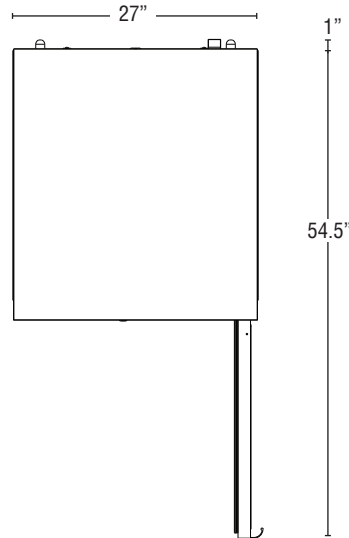
FRONT VIEW



SIDE VIEW



PLAN VIEW



Cabinet Construction

The exterior cabinet top, front, and sides, are constructed of high quality stainless steel. The exterior back and bottom are constructed of coated steel. The cabinet interior features stainless steel back, sides, floor and ceiling. One heavy duty epoxy coated shelf per section is standard. Mounted on anodized aluminum pilasters the shelves are adjustable in 1/2" increments. Cabinet are insulated with 2" CFC free foamed in place polyurethane. 2.25" polyolefin, stem casters (two with brakes) are standard.

Door Construction

Doors are constructed of high grade stainless steel exterior with an ABS interior liner and are insulated with 2" CFC free foamed in place polyurethane. Hoshizaki's exclusive "stepped" design protects the gasket while product is removed from the cabinet. Doors are provided with a one piece, extruded aluminum, flush mount handle. Spring assisted self-closing doors are equipped with a stay open feature past 90° degrees. Snap-in magnetic door gaskets are durable and easily removed for cleaning. Door hinging is field reversible (with an optional door reversal hinge kit).

Refrigeration System

The high efficiency refrigeration system is self-contained with an E-coated evaporator for extended life. Condensate removal is accomplished with an energy efficient non-electric evaporation system. A capillary tube controls the flow of environmentally friendly R290 refrigerant through the evaporator. Unit is provided with an automatic time initiated heated defrost to remove any ice on the evaporator coil. 115 volt units are equipped with a ten foot cord and plug (20.0 amps or less).