



# KMS-822MLJ

## SERENITY SERIES CUBER ICE MACHINE



KMS-822MLJ  
07/02/24  
Item # 13262

Item #: \_\_\_\_\_  
Project: \_\_\_\_\_  
Qty: \_\_\_\_\_  
AIA#: \_\_\_\_\_

**Modular Head Unit**  
**W x D x H**  
**22" x 24<sup>5/8"</sup> x 28"**

**Remote Unit Dimension**  
**SRK-10J**  
**35<sup>3/4"</sup> x 23<sup>1/2"</sup> x 22"**

**Installation Dimension\***  
**SRK-10J**  
**38" x 29" x 37"**

\*Dimensions include legs

**KMEDGE™**  
**SRK-10J**




**KMS-822MLJ**  
Remote Air-Cooled  
Shown on optional  
Lancer 22" Dispenser



## Features

- ▶ Individual crescent cube
- ▶ Stainless steel evaporator

▶ CycleSaver™ design 

- Up to 851 lbs. of ice production per 24 hours
- Durable stainless steel exterior
- EverCheck™ alert system 
- No heat, less noise
- CFC / HFC Free Foam
- R-404A Refrigerant
- Not recommended for side-by-side application
- Remote unit includes both condenser and compressor

### Warranty:

3 Year Parts & Labor on entire machine. 5 Year Parts & Labor on Evaporator. 5 Year Parts on Compressor; air-cooled condenser coil. Valid in United States, Canada, Puerto Rico and U.S. Territories. Contact factory for warranty in other countries.

Shipping: KMS-822MLJ (LxWxH) 31" x 28" X 34" Volume: 17.08ft<sup>3</sup>



Condenser	Model	ICE PRODUCTION		WATER USAGE		ELECTRICAL				
		Air / Water Temp Lbs. per 24 hours 70°/ 50°F	90°/ 70°F	Potable Gal. per 100 lbs. 90°/ 70°F	Condenser Gal. per 100 lbs. 90°/ 70°F	kWh Used per 100 lbs. 90°/ 70°F	Voltage	Circuit Wires (including ground)	Refrigerant Charge Amount	Net / Ship Weight (lbs.)
Remote	KMS-822MLJ with SRK-10J	851	770	21.0	N/A	5.3	208-230V/60/1*	See remote condenser	7.1 oz.	120 /150

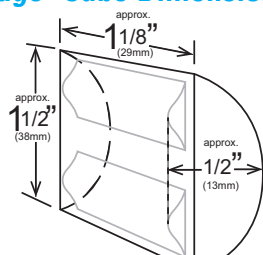
\* Voltage supply for KMS Ice Maker is supplied from the SRK Remote Condenser

Condenser	Model	LINE SETS - Brazing Required			TEMP RANGE	ELECTRICAL							
		25' Length	35' Length	55' Length	Ambient (Outdoor Use)	Voltage Range	Min. Circuit/Max. Fuse Size	Amperage	Voltage	Circuit Wires (including ground)	Heat Rejection BTU/hr.	Refrigerant Charge Amount	Net / Ship Weight (lbs.)
Remote	SRK-10J	HS-0250†	HS-0251†	HS-0252†	-20° - 122°	187-253VAC	20A	11.9A	208-230V/60/1	4	14,700	13 lb. 10.7 oz.	196 /226

† Line sets require refrigerant.

Power cord not included. Must be hard-wired at site.

### KMEdge™ Cube Dimensions\*



\* approximate size in inches, image not to scale

### Operating Limits- KMS-822MLJ

- Ambient Temp Range 45 - 100°F
- Water Temp Range 45 - 90°F
- Water Pressure 10 - 113 PSIG
- Voltage Range 187-253V†
- If GFCI is required, a GFCI breaker MUST be used in lieu of GFCI receptacle

† Voltage supply for KMS Ice Maker is supplied from the SRK Remote Condenser

### Service- KMS-822MLJ

- Allow 6" (15 cm) clearance at rear, sides, and top for proper air circulation and ease of maintenance and/or service should they be required.
- Panels easily removed and all components accessible for service.

### Plumbing- KMS-822MLJ

- Icemaker Water Supply Line: Minimum 1/4" Nominal ID Copper Water Tubing or Equivalent
- Icemaker Drain Line: Minimum 3/4" Nominal ID Hard Pipe or Equivalent

### Service- SRK-10J

- Allow 24" (61 cm) clearance in both front and rear for proper air circulation and ease of maintenance/service.
- For best performance the Remote Condenser should not be more than 33 feet above the icemaker or no more than 10 feet below it. These distances are measure from fitting to fitting.



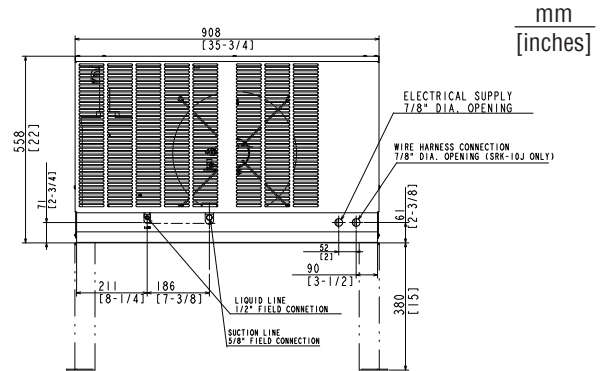
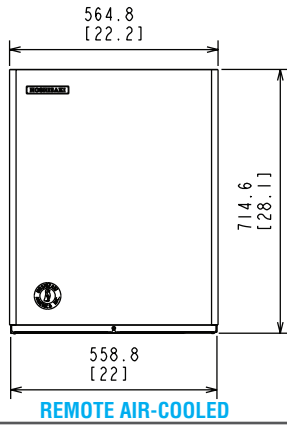
# KMS-822MLJ

## SERENITY SERIES CUBER ICE MACHINE

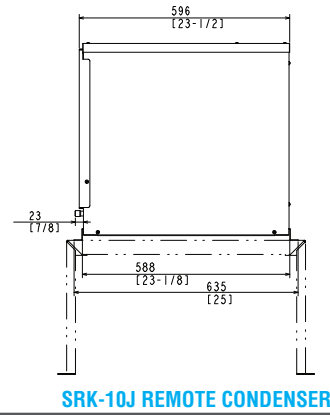
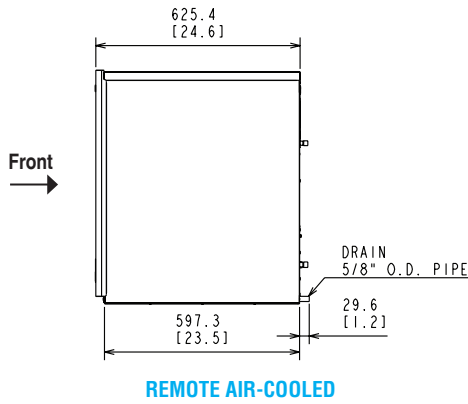


KMS-822MLJ  
07/02/24  
Item # 13262

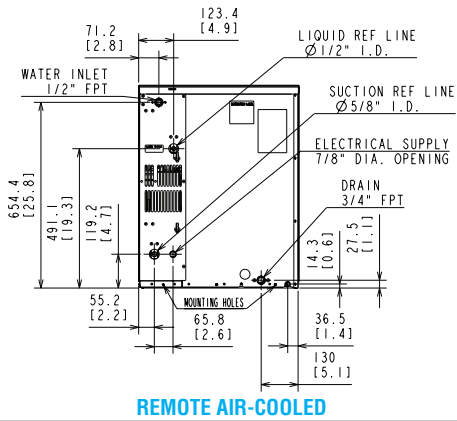
FRONT VIEW



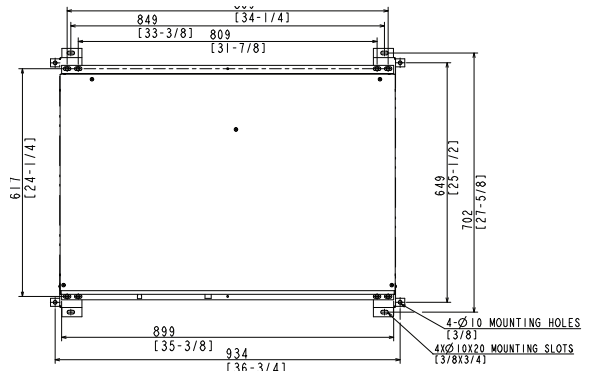
SIDE VIEW



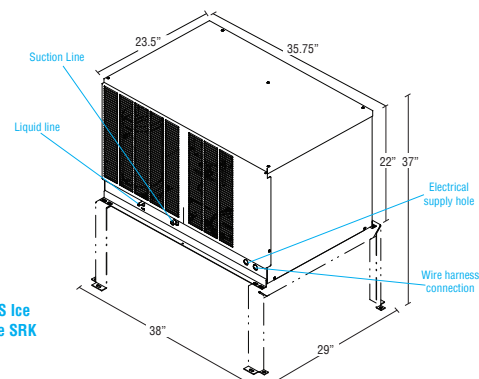
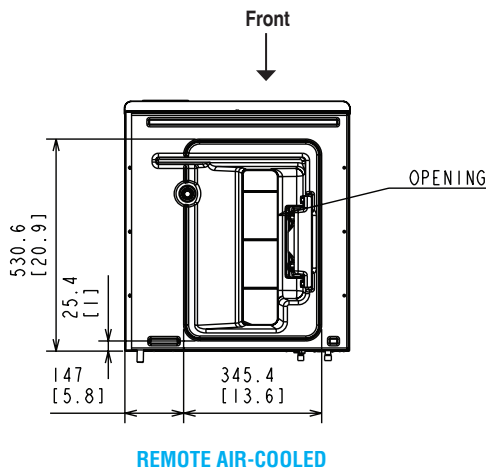
REAR VIEW



TOP VIEW



BOTTOM VIEW



**Brazed Line Sets**  
(Sold Separately)

25' HS-0250

35' HS-0251

55' HS-0252

Voltage supply for the KMS Ice Maker is supplied from the SRK Remote Condenser.