



KMH-2100S_J(Z)(3)


HIGH CAPACITY STACKABLE ICE CUBER




KMH-2100S_J(Z)(3)
07/02/24
Item # 13257

Item #: _____
 Project: _____
 Qty: _____
 AIA#: _____

Features

- ▶ Individual crescent cube
- ▶ Stainless steel evaporator
- ▶ CycleSaver™ design 

- Up to 2060 lbs. of ice production per 24 hours
- Stackable for 8240 lbs. per 24 hours ice production in the same floor space
- Durable stainless steel exterior
- EverCheck alert system 
- 40-inch depth
- R-404A Refrigerant

Warranty:

3 Year Parts & Labor on entire machine. 5 Year Parts & Labor on Evaporator. 5 Year Parts on Compressor; air-cooled condenser coil. Valid in United States, Canada, Puerto Rico and U.S. Territories. Contact factory for warranty in other countries.

Shipping: (LxWxH) 45.75" x 39.5" X 42.44" Volume: 44.38ft³

W x D x H
36" x 40" x 36^{7/16}"

KM|EDGE™

KMH-2100SRJZ ★
Remote Air-Cooled 1 Phase

KMH-2100SWJ3
Water-Cooled 3 Phase

KMH-2100SRJZ3 ★
Remote Air-Cooled 3 Phase

Shown on a Kloppenberg 2115
Double Upright Bin



Please allow for adequate lead time when placing orders



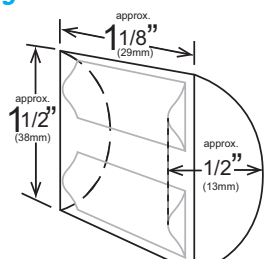
Condenser	Model	ICE PRODUCTION		WATER USAGE		ELECTRICAL								
		Air / Water Temp Lbs. per 24 hours 70°/50°F	90°/70°F	Potable Gal. per 100 lbs. 90°/70°F	Condenser Gal. per 100 lbs. 90°/70°F	kWh Used per 100 lbs. 90°/70°F	Min. Circuit/ Max. Fuse Size	Amperage	Voltage	Circuit Wires (including ground)	Heat Rejection BTU/hr.	Refrigerant Charge Amount	Net / Ship Weight (lbs.)	
1 Phase	Remote	KMH-2100SRJZ	2034	1850	15.0	N/A	3.75	30A	15.1A	208-230/60/1	4*	22,600	8 lbs. 6 oz. 16 lbs. 1.5 oz. [†]	365 / 415
	Water	KMH-2100SWJ3	2060	2000	15.0	92	2.92	20A	10A	208-230/60/3	4	22,400	3 lbs. 1.4 oz.	365 / 415
3 Phase	Remote	KMH-2100SRJZ3	2026	1925	15.0	N/A	3.67	20A	12.5A	208-230/60/3	4	22,900	8 lb. 6 oz. 16 lbs. 1.5 oz. [†]	365 / 415

*If neutral is not available transformer kit (HS-5030) is required. Refer to instruction manual for installation and electrical requirements.

[†](with condenser)

Power cord not included

KMEdge™ Cube Dimensions*



* approximate size in inches, image not to scale

Operating Limits

- Ambient Temp Range 45 - 100°F
- Water Temp Range 45 - 90°F
- Water Pressure 10 - 113 PSIG
- Voltage Range 187 - 253V
- If GFCI is required, a GFCI breaker MUST be used in lieu of GFCI receptacle

Service

- Panels easily removed and all components accessible for service.
- Allow 6" (15 cm) clearance at rear, sides, and top for proper air circulation and ease of maintenance/service.

Plumbing

- Icemaker Water Supply Line: Min. 3/8" Nominal ID Copper Water Tubing or Equivalent
- Icemaker Drain Line: Min. 3/4" Nominal ID Hard Pipe or Equivalent **Water-Cooled Model (Lines Must Be Independent of Icemaker)**
- Condenser Water Supply Line: Min. 3/8" Nominal ID Copper Water Tubing or Equivalent
- Condenser Drain/Return Line: Min. 3/8" Nominal ID Hard Pipe (open drain system) or Copper Water Tubing (closed loop system) or Equivalent

Water Filter

Please refer to water filter spec sheet for recommended configurations.

Hoshizaki reserves the right to change specifications without notice.

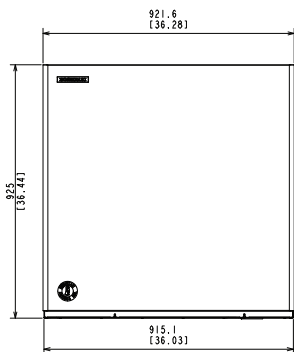


KMH-2100S_J(Z)(3)

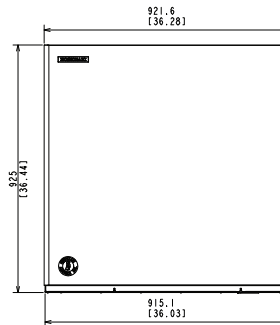
HIGH CAPACITY STACKABLE ICE CUBER

KMH-2100S_J(Z)(3)
07/02/24
Item # 13257

FRONT VIEW

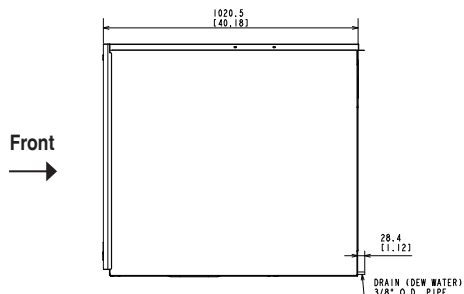


WATER-COOLED

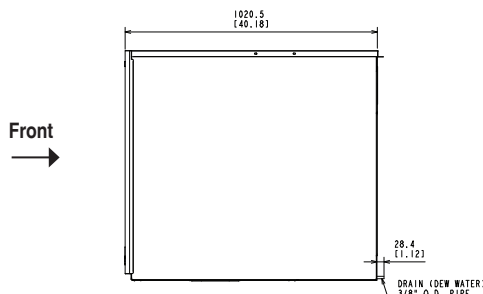


REMOTE AIR-COOLED

SIDE VIEW

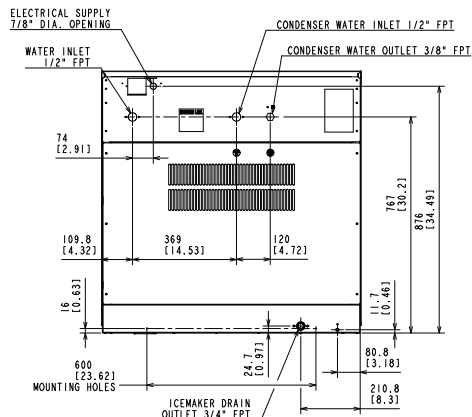


WATER-COOLED

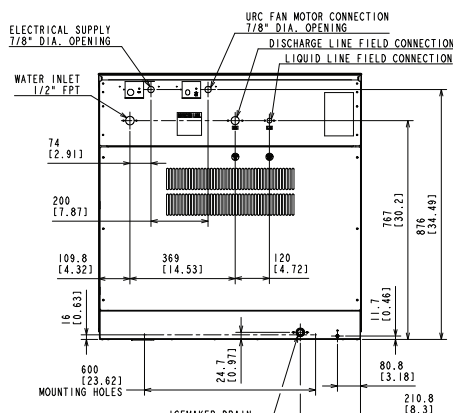


REMOTE AIR-COOLED

REAR VIEW

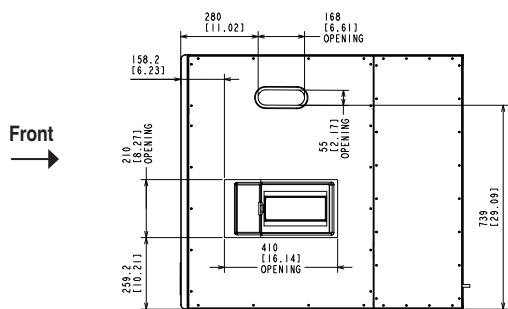


WATER-COOLED



REMOTE AIR-COOLED

BOTTOM VIEW



WATER-COOLED
REMOTE AIR-COOLED

URC-22FZ Remote Condenser (Sold Separately)

(W x D x H) 46^{3/8} X 14^{1/16} X 40^{1/2}
For use with KMH-2100SRJZ(3)

Brazed Line Sets (Sold Separately)

- 25" HS-5323
- 35" HS-5324
- 55" HS-5325

Voltage supply for the URC Remote Condenser is supplied from the Ice Maker. No additional circuit is required.

