

KM-2100/2500S_H3

3 PHASE STACKABLE ICE CUBER

Item # _____

Project: _____

Qty: _____

*AutoCad available on KCL

KM-2100/2500S_H3

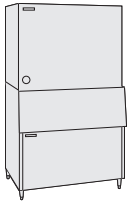
2/9/15

Item # 13246

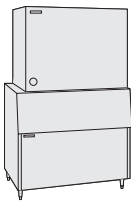
CUBER DIMENSIONS

W x D x H

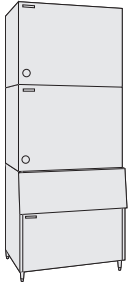
KM-2100/2500S_H3
48 x 27^{3/8} x 36^{7/16}



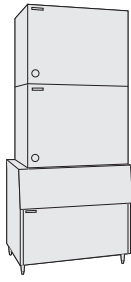
B-800



B-900



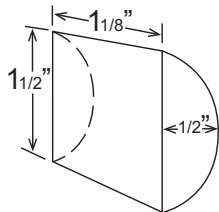
B-800



B-900

Also available on Large Bins:
B-1150SS
B-1300SS
B-1500SS
B-1650SS

*KM CUBE DIMENSIONS



*approximate size in inches, image not to scale



KM-2100SWH3

Water-Cooled 3 Phase
Shown on an optional
B-900

KM-2100SRH3

Remote Air-Cooled 3 Phase

KM-2500SWH3

Water-Cooled 3 Phase

KM-2500SRH3

Remote Air-Cooled 3 Phase




KM-2100S_H3

- Up to 2096 lbs. of ice production per 24 hours
- Stackable for 4192 lbs. per 24 hour ice production in the same floor space

KM-2500S_H3

- Up to 2429 lbs. of ice production per 24 hours
- Stackable for 4858 lbs. per 24 hour ice production in the same floor space

KM-2100S_H3 & KM-2500S_H3

- Durable stainless steel exterior
- Protected by H-GUARD Plus Antimicrobial Agent 
- CycleSaver™ design 
- EverCheck™ alert system 
- Individual crescent cube
- Stainless steel evaporator
- R-404A Refrigerant

Warranty

Valid in United States, Canada, Puerto Rico, & U.S. Territories. Contact factory for warranty in other countries.

Three Year - Parts & Labor on entire machine.

Five Year - Parts & Labor on: Evaporator.

Five Year - Parts on: Compressor, air-cooled condenser coil.



© HOSHIZAKI AMERICA, INC.



DIMENSIONS

W x D x H
KM-2100S_H3
 48 x 27^{3/8} x 36^{7/16}
KM-2500S_H3
 48 x 27^{3/8} x 36^{7/16}

STACKABLE ICE CUBER

- Water-cooled 3 phase / Remote Air-cooled 3 phase
- Water-cooled 3 phase / Remote Air-cooled 3 phase

KM-2100 WATER - COOLED 3 PHASE

| | | | |
|----------------|-----|------|-------------|
| Water Temp° F. | 50° | 70° | 90° |
| Air Temp° F. | 70° | 2096 | 2084 |
| | 80° | 2087 | 2067 |
| | 90° | 2084 | 2054 |

KM-2100 REMOTE AIR - COOLED 3 PHASE

| | | | |
|----------------|-----|------|-------------|
| Water Temp° F. | 50° | 70° | 90° |
| Air Temp° F. | 70° | 2034 | 1968 |
| | 80° | 1984 | 1882 |
| | 90° | 1968 | 1810 |

KM-2500 WATER - COOLED 3 PHASE

| | | | |
|----------------|-----|------|-------------|
| Water Temp° F. | 50° | 70° | 90° |
| Air Temp° F. | 70° | 2429 | 2410 |
| | 80° | 2415 | 2386 |
| | 90° | 2410 | 2365 |

KM-2500 REMOTE AIR - COOLED 3 PHASE

| | | | |
|----------------|-----|------|-------------|
| Water Temp° F. | 50° | 70° | 90° |
| Air Temp° F. | 70° | 2424 | 2369 |
| | 80° | 2382 | 2296 |
| | 90° | 2369 | 2235 |

UTILITY CONSUMPTION

| Model Number | Ice Production Per Cycle Lbs. Cubes | KWH per 100 LBS. | Potable Water Gal. per 100 lbs. | Condenser Water Gal. per 100 lbs. |
|--------------|--|------------------|---------------------------------|-----------------------------------|
| KM-2100SWH3 | 46.7 2160 | 3.18 | 16.9 | 95 |
| KM-2100SRH3 | 46.8 2160 | 4.26 | 21.1 | N/A |
| KM-2500SWH3 | 47.1 2160 | 3.54 | 17.2 | 127 |
| KM-2500SRH3 | 46.1 2160 | 4.50 | 18.6 | N/A |

SPECIFICATIONS

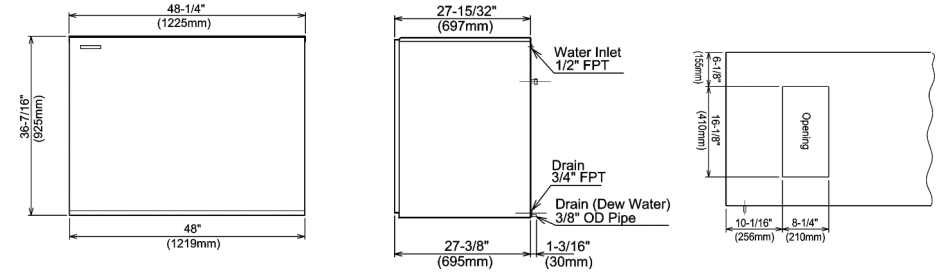
| Model Number | Condenser | Amperage | Min. Circuit Ampacity | Shipping Weight |
|--------------|-------------------|----------|-----------------------|-----------------|
| KM-2100SWH3 | Water-Cooled | 10.5 | 20 | 440 lbs. |
| KM-2100SRH3 | Remote Air-Cooled | 12.5 | 20 | 440 lbs. |
| KM-2500SWH3 | Water-Cooled | 14.2 | 30 | 415 lbs. |
| KM-2500SRH3 | Remote Air-Cooled | 17.7 | 30 | 440 lbs. |

STORAGE BINS

| Model Number | Application Capacity | ARI-Rated Capacity |
|--------------|----------------------|--------------------|
| B-800 | 800 lbs. | 600 lbs. |
| B-900 | 900 lbs. | 660 lbs. |
| B-1150 | 1150 lbs. | N/A |
| B-1300 | 1275 lbs. | N/A |
| B-1500 | 1490 lbs. | N/A |
| B-1650 | 1605 lbs. | N/A |

ELECTRICAL & PLUMBING/KM-2100/2500S_H3

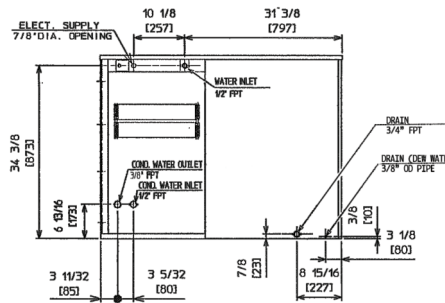
- 208 - 230V/60/3
- 20 amp Max Fuse (30 amp Max Fuse - KM-2500) HACR breaker size
- Ice maker Water Supply Line: Minimum 3/8" Nominal ID Copper Water Tubing or Equivalent
- Ice maker Drain Line: Minimum 3/4" Nominal ID Hard Pipe or Equivalent



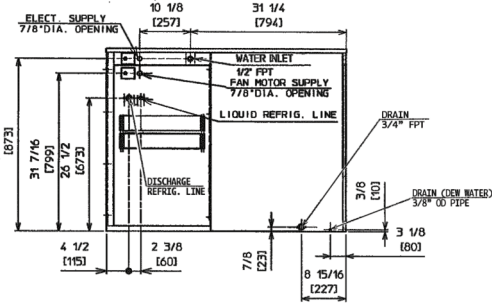
FRONT VIEW - KM-2100/2500

SIDE VIEW - KM-2100/2500

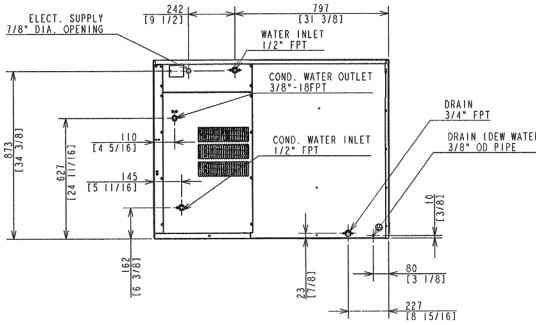
ICE DROP ZONE
(BOTTOM VIEW - KM-2100/2500)



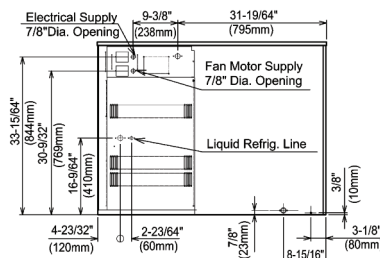
WATER-COOLED UNIT
(REAR VIEW - KM-2100SWH3)



REMOTE AIR-COOLED UNIT
(REAR VIEW - KM-2100SRH3)

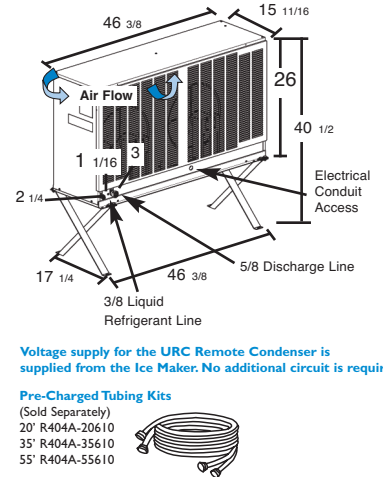


WATER-COOLED UNIT
(REAR VIEW - KM-2500SWH3)



REMOTE AIR-COOLED UNIT
(REAR VIEW - KM-2500SRH3)

URC-22 & 23F Remote Condenser (Sold Separately)
 For Use with KM-2100SRH3 & KM-2500SRH3



Voltage supply for the URC Remote Condenser is supplied from the Ice Maker. No additional circuit is required.

Pre-Charged Tubing Kits
 (Sold Separately)
 20' R404A-20610
 35' R404A-35610
 55' R404A-55610

ELECTRICAL & PLUMBING

- Water-Cooled Model (Lines Must Be Independent of Ice maker)
- Condenser Water Supply Line: Minimum 3/8" Nominal ID Copper Water Tubing or Equivalent
 - Condenser Drain/Return Line: Minimum 3/8" Nominal ID Hard Pipe (open drain system) or Copper Water Tubing (closed loop system) or Equivalent

OPERATING LIMITS

- Ambient Temp Range 45 - 100°F
- Water Temp Range 45 - 90°F
- Water Pressure 10 - 113psig
- Voltage Range 187 - 253V

CONDENSING UNIT

- Voltage Range 104 - 127V
- Ambient Temp Range -20 - 122°F

