



# KM-420M\_J(Z)

## SLIM-LINE MODULAR CRESCENT CUBER

KM-420M\_J(Z)  
06/08/22  
Item # 13674

W x D x H  
22" x 27<sup>3</sup>/<sub>8</sub>" x 28"

**KM|EDGE**  
ICE MACHINE SERIES

**Air-Cooled**  
KM-420MAJ ★  
Air-cooled model  
shown on optional bin: B-300



**Water-Cooled**  
KM-420MWJ

**Remote Air-Cooled**  
KM-420MRJZ ★



Item #: \_\_\_\_\_  
Project: \_\_\_\_\_  
Qty: \_\_\_\_\_  
AIA#: \_\_\_\_\_

## Features

- ▶ Individual crescent cube
- ▶ Factory-installed ultrasonic bin control can be adjusted on site
- ▶ Simple, one-hour cleaning process

- Durable construction with fewer parts
- Self-diagnostic programming automatically adjusts to changing conditions
- Snap fit parts for easy cleaning
- Stainless steel double-sided evaporator
- CycleSaver™ design
- Protected by H-GUARD Plus Antimicrobial Agent
- EverCheck™ alert system
- Removable air filters (air-cooled model only)
- R-404A Refrigerant

### Available on Bins/Dispensers:

B-250SF	B-500/SF	B-800SF	B-1150SS	DB-130H
B-300SF	B-700SF	B-900SF	B-1300SS	DB-200H
				DM-200B

*Top kit may be required. See Bin Spec Sheets.*

### Warranty:

3 Year Parts & Labor on entire machine 5 Year Parts & Labor on evaporator 5 Year Parts on Compressor; air-cooled condenser coil  
Valid in United States, Canada, Puerto Rico and U.S. Territories. Contact factory for warranty in other countries.

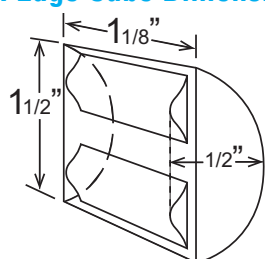
Shipping: (LxWxH) 33" x 25.25" X 34.5" Volume: 16.64ft<sup>3</sup>



Condenser	Model	ICE PRODUCTION		WATER USAGE		ELECTRICAL							
		Air / Water Temp Lbs. per 24 hours 70°/ 50°F	90°/ 70°F	Potable Gal. per 100 lbs. 90°/ 70°F	Condenser Gal. per 100 lbs. 90°/ 70°F	kWh Used per 100 lbs. 90°/ 70°F	Min. Circuit Amp - Max. Fuse/Breaker	Amperage	Voltage	Circuit Wires (including ground)	Heat Rejection BTU/hr.	Refrigerant Charge Amount	Net / Ship Weight (lbs.)
Air	KM-420MAJ ★	508	440	17.0	N/A	5.3	20A	10.6A	115V/60/1	3	6,600	1 lb. 10.8 oz.	131 / 175
Water	KM-420MWJ	472	435	19.0	95	4.7	20A	8.45A	115V/60/1	3	6,300	12.7 oz.	127 / 175
Remote	KM-420MRJZ ★	521	460	16.0	N/A	5.0	20A	12.05A	115V/60/1	3	6,200	2 lb. 4.7 oz. 4 lb. 2.7 oz.†	122 / 175

† (with condenser)  
Power cord not included. Must be hard-wired at site.

### KM Edge Cube Dimensions†



† approximate size in inches, image not to scale

### Operating Limits

- Ambient Temp Range 45 - 100°F
- Water Temp Range 45 - 90°F
- Water Pressure 10 - 113 PSIG
- Voltage Range 104 - 127V

### Service

- Panels easily removed and all components accessible for service.
- Removable/cleanable air filters. (Air-cooled model only)
- Allow 6" (15 cm) clearance at rear, sides, and top for proper air circulation and ease of maintenance/service.

### Plumbing

- Ice maker water supply line: minimum 1/4" nominal ID copper water tubing or equivalent
- Ice maker drain line: minimum 3/4" nominal ID hard pipe or equivalent Water-Cooled Model (Lines Must Be Independent of Ice maker)
- Condenser water supply line: minimum 1/4" nominal ID copper water tubing or equivalent
- Condenser drain/return line: minimum 1/4" nominal ID hard pipe (open drain system) or copper water tubing (closed loop system) or equivalent

### Water Filter

Please refer to water filter specification sheet for recommendations.

Hoshizaki reserves the right to change specifications without notice.

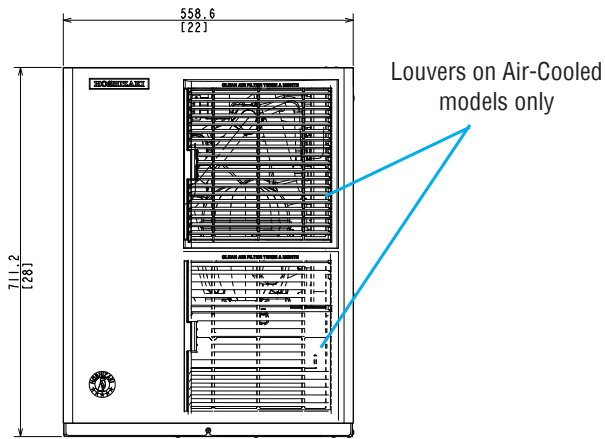


# KM-420M\_J(Z)

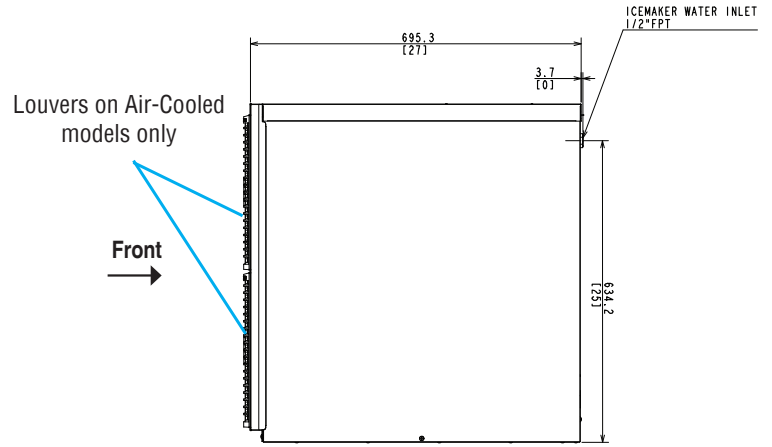
## SLIM-LINE MODULAR CRESCENT CUBER

KM-420M\_J(Z)  
06/08/22  
Item # 13674

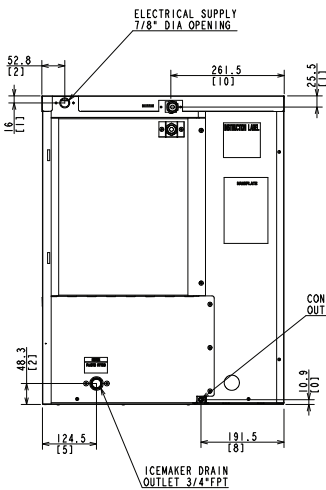
FRONT VIEW



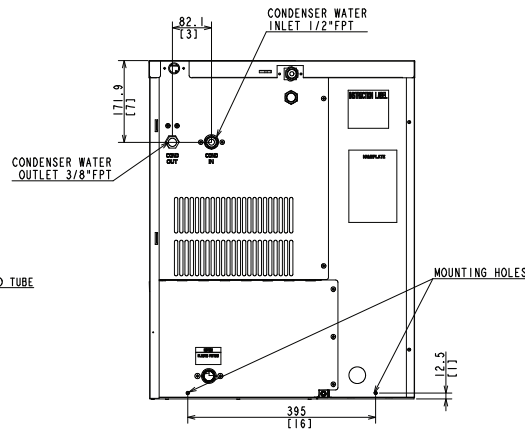
SIDE VIEW



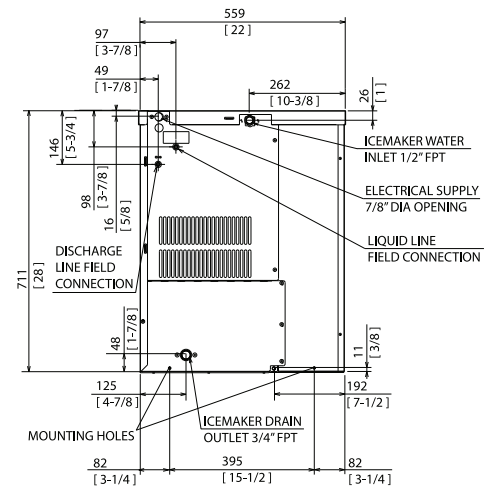
REAR VIEW



**AIR-COOLED**

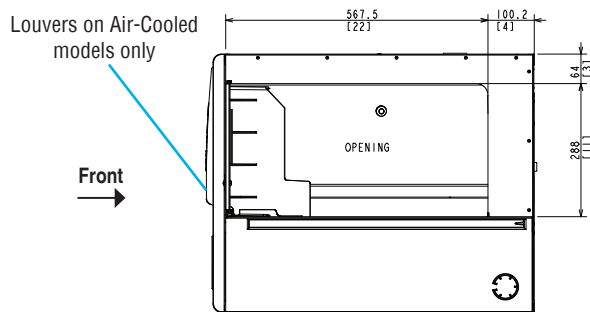


**WATER-COOLED**



**REMOTE AIR-COOLED**

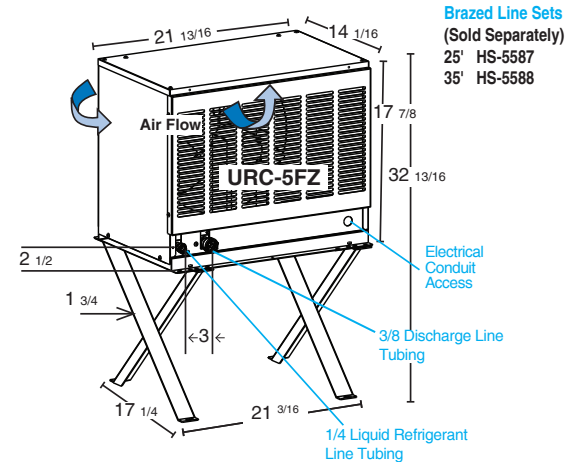
BOTTOM VIEW



**URC-5FZ Remote Condenser (Sold Separately)**

(W x D x H) 21<sup>13/16</sup> x 14<sup>1/16</sup> x 32<sup>13/16</sup>

For Use with KM-420MRJZ



Voltage supply for ice maker and condensing unit are separate.