



# KM-1601MRJZ(3)

## MODULAR CRESCENT CUBER



KM-1601MRJZ(3)  
07/02/24  
Item # 13657

W x D x H  
30" x 27<sup>3/8</sup>" x 41<sup>5/8</sup>"

### KMEDGE™

**KM-1601MRJZ**  
Remote Air-Cooled 1 Phase  
Shown on optional bin: B-900

**KM-1601MRJZ3**  
Remote Air-Cooled 3 Phase



Item #: \_\_\_\_\_  
Project: \_\_\_\_\_  
Qty: \_\_\_\_\_  
AIA#: \_\_\_\_\_

## Features

- ▶ Individual crescent cube
- ▶ Stainless steel evaporator
- ▶ CycleSaver™ design

- Up to 1653 lbs. of ice production per 24 hours
- Durable stainless steel exterior
- EverCheck™ alert system
- R-404A Refrigerant

### Available on Bins:

**B-500SF**    **B-800SF**    **B-1150SS**    **B-1500SS\***  
**B-700SF**    **B-900SF**    **B-1300SS**    **B-1650SS\***

Top kit may be required. See Bin Spec Sheets. \*Two unit application only.

### Warranty:

3 Year Parts & Labor on entire machine. 5 Year Parts & Labor on Evaporator. 5 Year Parts on Compressor; air-cooled condenser coil. Valid in United States, Canada, Puerto Rico and U.S. Territories. Contact factory for warranty in other countries.

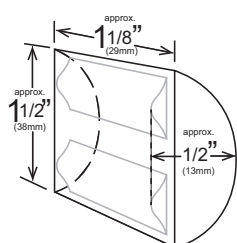
Shipping: (LxWxH) 51.75" x 33" X 48"    Volume: 47.44ft<sup>3</sup>

Condenser	Model	ICE PRODUCTION		WATER USAGE		ELECTRICAL							
		Air / Water Temp Lbs. per 24 hours 70°/ 50°F    90°/ 70°F	Potable Gal. per 100 lbs. 90°/ 70°F	Condenser Gal. per 100 lbs. 90°/ 70°F	kWh Used per 100 lbs. 90°/ 70°F	Min. Circuit/ Max. Fuse Size	Amperage	Voltage	Circuit Wires (including ground)	Heat Rejection BTU/hr.	Refrigerant Charge Amount	Net / Ship Weight (lbs.)	
1 Phase Remote	KM-1601MRJZ	1594	1550	18.0	N/A	4.35	20A	15.9A	208-230V/60/1	4*	24,300	8 lbs. 2.5 oz. 15 lbs. 14 oz.†	259 / 316
3 Phase Remote	KM-1601MRJZ3	1653	1550	18.0	N/A	4.09	20A	12.9A	208-230V/60/3	4	23,300	8 lbs. 2.5 oz. 15 lbs. 14 oz.†	259 / 316

\*If neutral is not available, transformer kit (HS-5030) is required. Refer to Instruction Manual for installation and electrical requirements.

†(with condenser)

## KMEdge™ Cube Dimensions\*



\* approximate size in inches, image not to scale

## Operating Limits

- Ambient Temp Range 45 - 100°F
- Water Temp Range 45 - 90°F
- Water Pressure 10 - 113 PSIG
- Voltage Range 187 - 253V
- If GFCI is required, a GFCI breaker MUST be used in lieu of GFCI receptacle

## Service

- Panels easily removed and all components accessible for service.
- Allow 6" (15 cm) clearance at rear, sides, and top for proper air circulation and ease of maintenance/service.

## Plumbing

- Icemaker Water Supply Line: Minimum 3/8" Nominal ID Copper Water Tubing or Equivalent
- Icemaker Drain Line: Minimum 3/4" Nominal ID Hard Pipe or Equivalent

## Water Filter

Please refer to water filter spec sheet for recommended configurations.

Line sets for Z models require brazing. Z model head must match Z model remote condenser.

Hoshizaki reserves the right to change specifications without notice.

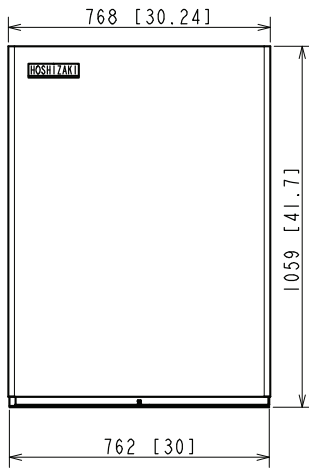


# KM-1601MRJZ(3)

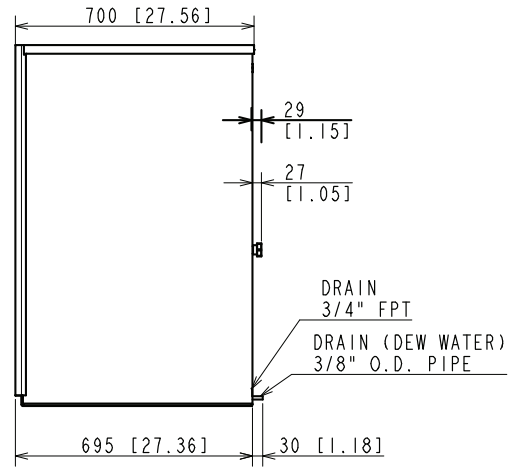
MODULAR CRESCENT CUBER

KM-1601MRJZ(3)  
07/02/24  
Item # 13657

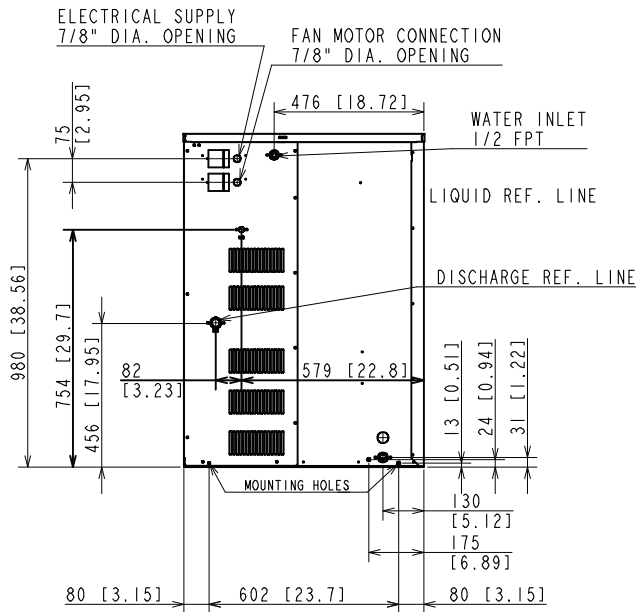
FRONT VIEW



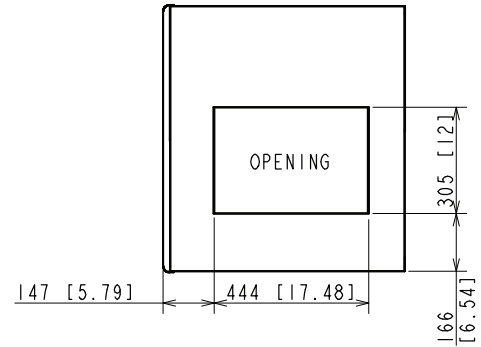
SIDE VIEW



REAR VIEW

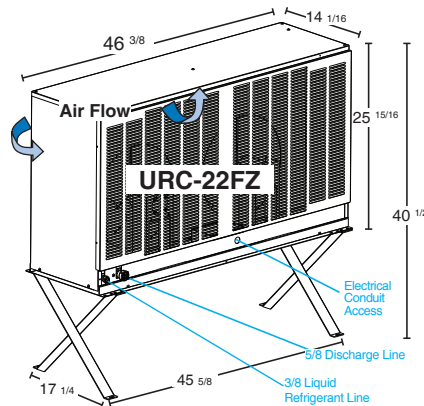


BOTTOM VIEW



## URC-22FZ Remote Condenser (Sold Separately)

(W x D x H) 46<sup>3/8</sup> X 14<sup>1/16</sup> X 40<sup>1/2</sup>  
For Use with KM-1601MRJZ(3)



**Brazed Line Sets**  
(Sold Separately)  
25' HS-5323  
35' HS-5324  
55' HS-5325



Voltage supply for the URC Remote Condenser is supplied from the Ice Maker. No additional circuit is required.