



F-1002M_J(Z)(-C)

Modular Ice Machine Slim-Line Series



F-1002M_J(Z)(-C)
07/02/24
Item # 13108

Item #: _____
Project: _____
Qty: _____
AIA#: _____

W x D x H
22" x 27^{3/8}" x 26"



F-1002MAJ
Air-Cooled Flaker
Shown on optional bin B-500

F-1002MWJ
Water-Cooled Flaker


F-1002MRJZ
Remote Air-Cooled Flaker

F-1002MAJ-C
Air-Cooled Cubelet

F-1002MWJ-C
Water-Cooled Cubelet

F-1002MRJZ-C
Remote Air-Cooled Cubelet

Features

- ▶ Durable stainless steel exterior
- ▶ Advanced CleanCycle24™ design 
- ▶ Stainless steel auger with greaseless bearing

- Flaker - Up to 980 lbs. of ice production per 24 hrs.
- Cubelet - Up to 890 lbs. of ice production per 24 hrs.
- Infrared bin control for easy cleaning and reliability
- 2 second flush cycle every hour
- Flush cycle removes sediment for cleaner ice
- Mount two units, side-by-side, in only 44" of floor space for double the amount of ice production
- R-404A Refrigerant

Available on Bins:

B-250SF B-500SF B-800SF B-1150SS B-1500SS*
B-300SF B-700SF B-900SF B-1300SS B-1650SS*
*Top kit may be required; See Bin Spec Sheets. *Two unit application only.*

Warranty:

3 Year Parts & Labor on entire machine. 5 Year Parts on Compressor; air-cooled condenser coil. Valid in United States, Canada, Puerto Rico and U.S. Territories. Contact factory for warranty in other countries.

Shipping: (LxWxH) 32" x 26.5" X 32" Volume: 15.7ft³



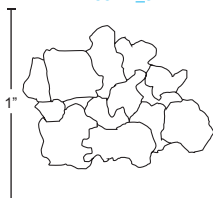
Condenser	Model	ICE PRODUCTION		WATER USAGE		ELECTRICAL					Heat Rejection BTU/hr.	Refrigerant Charge Amount	Net / Ship Weight (lbs.)
		Air / Water Temp Lbs. per 24 hours 70°/50°F	90°/70°F	Potable Gal. per 100 lbs. 90°/70°F	Condenser Gal. per 100 lbs. 90°/70°F	kWh Used per 100 lbs. 90°/70°F	Min. Circuit/Max. Fuse Size	Amperage	Voltage	Circuit Wires (including ground)			
Air	F-1002MAJ	980	758	12.0	N/A	4.36	20A	15.2A	115V/60/1	3	8,500	2 lbs. 4.2 oz.	176 / 210
Water	F-1002MWJ	955	833	12.0	110	3.57	20A	13.7A	115V/60/1	3	8,200	12.3 oz.	176 / 205
Remote	F-1002MRJZ	907	722	12.0	N/A	4.51	20A	15.2A	115V/60/1	3	8,600	2 lb. 3.3 oz. 4 lbs. 1 oz.†	176 / 210
Air	F-1002MAJ-C	890	726	12.0	N/A	4.57	20A	15.2A	115V/60/1	3	8,700	2 lbs. 4 oz.	176 / 210
Water	F-1002MWJ-C	878	770	12.0	111.0	3.95	20A	13.7A	115V/60/1	3	8,200	12.3 oz.	176 / 205
Remote	F-1002MRJZ-C	821	680	12.0	N/A	4.94	20A	15.2A	115V/60/1	3	8,500	2 lb. 3.3 oz. 4 lbs. 1 oz.†	176 / 210

†(with condenser)

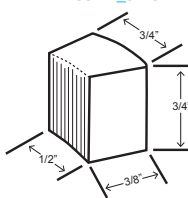
Power cord not included

Cube Dimensions*

Flaked
F-1002M_JZ



Cubelet
F-1002M_JZ-C



* approximate size in inches, image not to scale

Operating Limits

- Ambient Temp Range 45 - 100°F
- Water Temp Range 45 - 90°F
- Water Pressure 10 - 113 PSIG
- Voltage Range 104-127V
- If GFCI is required, a GFCI breaker MUST be used in lieu of GFCI receptacle

Service

- Panels easily removed and all components accessible for service.
- Allow 24" (61 cm) clearance at top for removal of auger and 6" (15 cm) clearance at rear and sides for proper air circulation and ease of maintenance/service.

Plumbing

- Icemaker Water Supply Line: Minimum 1/4" Nominal ID Copper Water Tubing or Equivalent
- Icemaker Drain Line: Minimum 3/4" Nominal ID Hard Pipe or Equivalent
- Water-Cooled Model (Lines Must Be Independent of Icemaker)
- Condenser Water Supply Line: Minimum 1/4" Nominal ID Copper Water Tubing or Equivalent
- Condenser Drain/Return Line: Minimum 1/4" Nominal ID Hard Pipe (open drain system) or Copper Water Tubing (closed loop system) or Equivalent

Hoshizaki reserves the right to change specifications without notice.

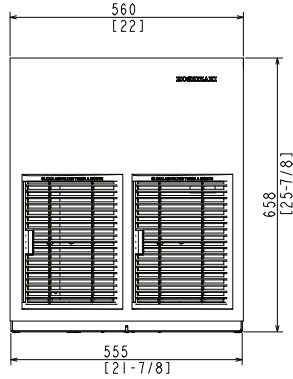


F-1002M_J(Z)(-C)

Modular Ice Machine
Slim-Line Series

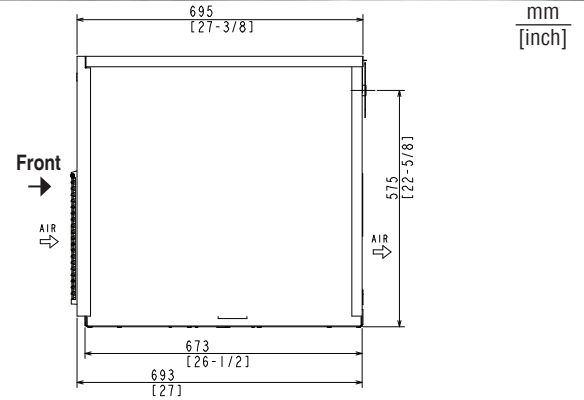
F-1002M_J(Z)(-C)
07/02/24
Item # 13108

FRONT VIEW



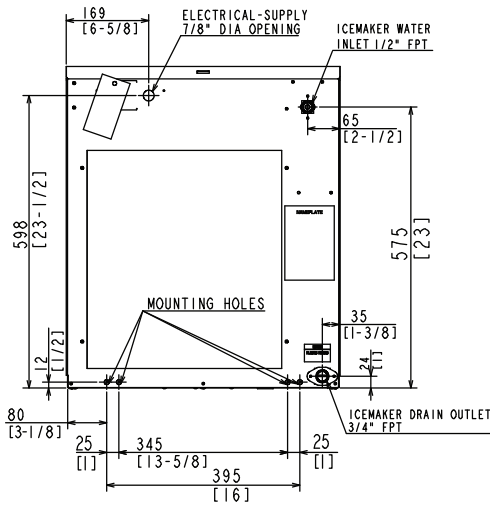
AIR-COOLED WATER-COOLED REMOTE AIR-COOLED

SIDE VIEW

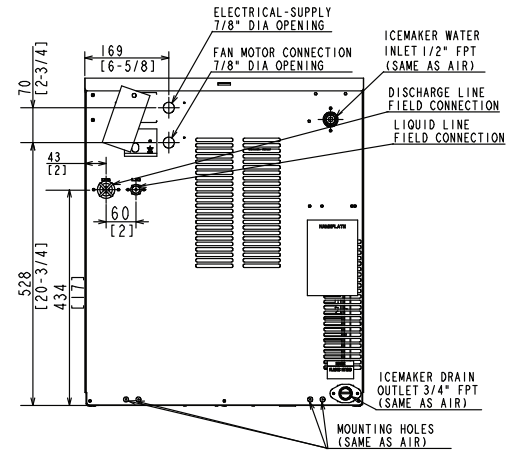


AIR-COOLED WATER-COOLED REMOTE AIR-COOLED

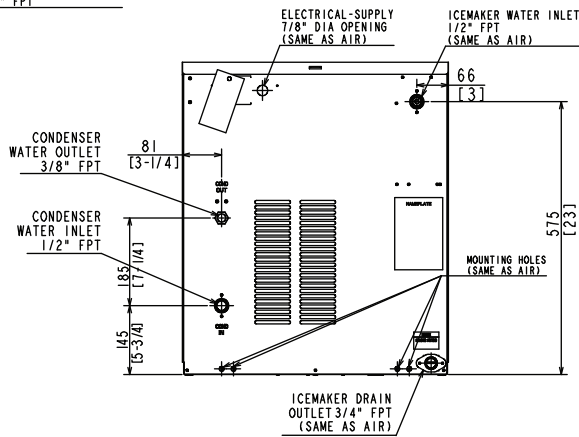
REAR VIEW



AIR-COOLED

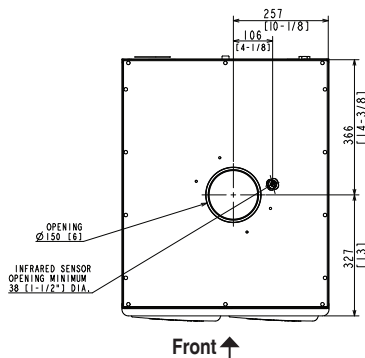


REMOTE AIR-COOLED



WATER-COOLED

BOTTOM VIEW



AIR-COOLED WATER-COOLED REMOTE AIR-COOLED

URC-5FZ Remote Condenser (Sold Separately)
(W x D x H) 21^{13/16} x 14^{1/16} x 32^{13/16}
For Use with F-1002MRJZ(-C)

Brazed Line Sets (Sold Separately)
25' HS-5587
35' HS-5588

Voltage supply for ice maker and condensing unit are separate.

