



F-1002MRJZ-SC


Modular Ice Machine
Slim-Line Series



F-1002MRJZ-SC
07/02/24
Item # 13621

Item #: _____
Project: _____
Qty: _____
AIA#: _____

Features

- ▶ Durable stainless steel exterior
- ▶ Advanced CleanCycle24™ design 
- ▶ Stainless steel auger with greaseless bearing

- Cubelet - Up to 864 lbs. of ice production per 24 hrs.
- Infrared bin control for easy cleaning and reliability
- 2 second flush cycle every hour
- Flush cycle removes sediment for cleaner ice
- Mount two units, side-by-side, in only 44" of floor space for double the amount of ice production
- R-404A Refrigerant

Available on Bins:

B-250SF B-500SF B-800SF B-1150SS B-1500SS*
B-300SF B-700SF B-900SF B-1300SS B-1650SS*

*Top kit may be required; See Bin Spec Sheets. *Two unit application only.*

Warranty:

3 Year Parts & Labor on entire machine. 5 Year Parts on Compressor; air-cooled condenser coil. Valid in United States, Canada, Puerto Rico and U.S. Territories. Contact factory for warranty in other countries.

Shipping: (LxWxH) 34" x 28" X 32" Volume: 17.62ft³

F-1002MRJZ-SC
Remote Air-Cooled Soft Cubelet



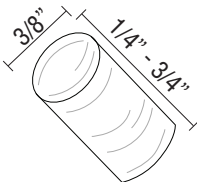
W x D x H
22" x 27^{3/8}" x 26"



Condenser	Model	ICE PRODUCTION		WATER USAGE			ELECTRICAL						
		Air / Water Temp Lbs. per 24 hours 70°/ 50°F	90°/ 744	Potable Gal. per 100 lbs. 90°/ 70°F	Condenser Gal. per 100 lbs. 90°/ 70°F	kWh Used per 100 lbs. 90°/ 70°F	Min. Circuit/ Max. Fuse Size	Amperage	Voltage	Circuit Wires (including ground)	Heat Rejection BTU/hr.	Refrigerant Charge Amount	Net / Ship Weight (lbs.)
Remote	F-1002MRJZ-SC	864	744	12.0	N/A	5.15	20A	15.2A	115V/60/1	3	8,900	2 lbs. 3.3 oz. <small>1lb. 14 oz. (Condenser)</small>	176 / 210

Power cord not included

Soft Cubelet Dimensions*



* approximate size in inches, image not to scale

Operating Limits

- Ambient Temp Range 45 - 100°F
- Water Temp Range 45 - 90°F
- Water Pressure 10 - 113 PSIG
- Voltage Range 104-127V
- If GFCI is required, a GFCI breaker MUST be used in lieu of GFCI receptacle

Service

- Panels easily removed and all components accessible for service.
- Allow 24" (61 cm) clearance at top for removal of auger and 6" (15 cm) clearance at rear and sides for proper air circulation and ease of maintenance/service.

Plumbing

- Ice maker Water Supply Line: Minimum 1/4" Nominal ID Copper Water Tubing or Equivalent
 - Ice maker Drain Line: Minimum 3/4" Nominal ID Hard Pipe or Equivalent
- Water-Cooled Model (Lines Must Be Independent of Ice maker)
- Condenser Water Supply Line: Minimum 1/4" Nominal ID Copper Water Tubing or Equivalent
 - Condenser Drain/Return Line: Minimum 1/4" Nominal ID Hard Pipe (open drain system) or Copper Water Tubing (closed loop system) or Equivalent

Hoshizaki reserves the right to change specifications without notice.

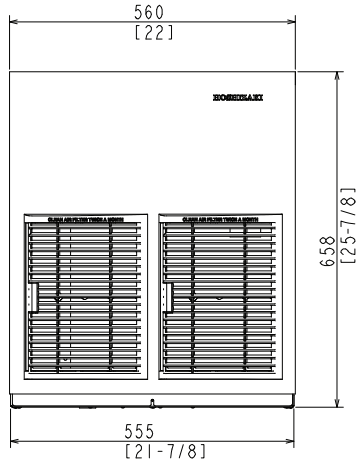


F-1002MRJZ-SC

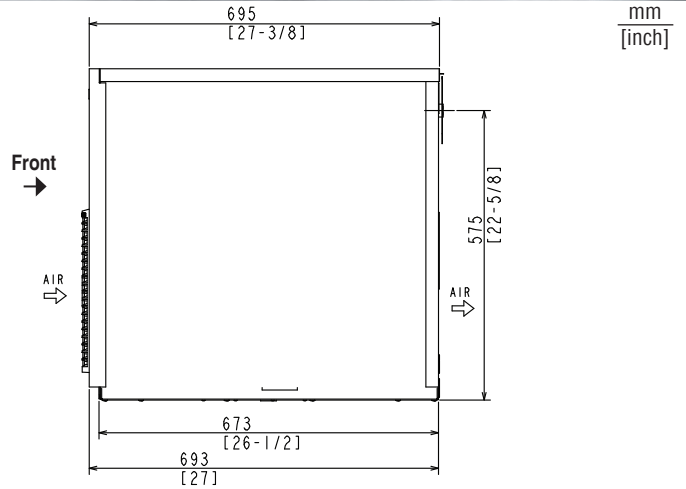
Modular Ice Machine
Slim-Line Series

F-1002MRJZ-SC
07/02/24
Item # 13621

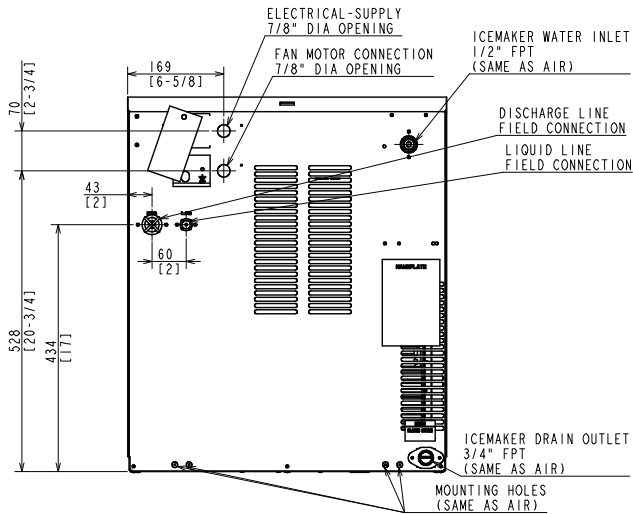
FRONT VIEW



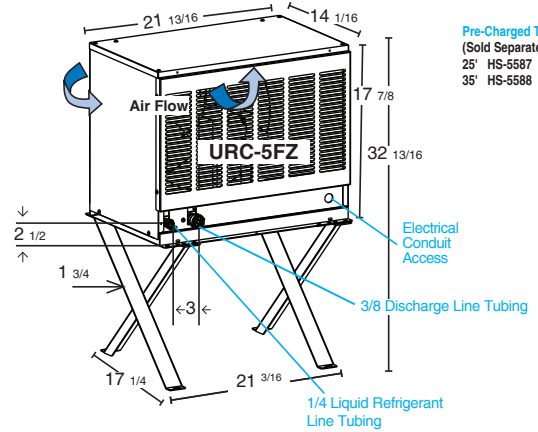
SIDE VIEW



REAR VIEW



URC-5FZ Remote Condenser (Sold Separately)
(W x D x H) 21^{13/16} x 14^{1/16} x 32^{13/16}
For Use with F-1002MRJZ-SC



Voltage supply for ice maker and condensing unit are separate.

BOTTOM VIEW

